

HID flood & lot lighting catalog



TAMLITE LIGHTING

Tamlite Lighting USA

When **Tamlite Lighting** arrived in Port St. Lucie some years ago, we built a 50,000 square foot state of the art manufacturing facility with a special purpose in mind. This purpose was to support and supply our sister company **City Electric Supply**, a full line electrical distributor, with quality lighting fixtures and accessories. Our facility houses some of the latest technology in automated fabrication and assembly machinery, powder coating equipment, and computer assisted design. This technology along with our flexible manufacturing processes, allow **Tamlite** to maintain the competitive edge it needs to compete in the U.S. market. With over forty years of experience in the U.K. to rely upon, and the diverse backgrounds of the people within our organization, we possess the expertise to find solutions to the ever changing demands of the lighting industry.

We at **Tamlite Lighting** take great pride in our ability to understand our customers' needs in a very demanding marketplace, as well as our ability to provide high quality products and excellent service. **Tamlite Lighting** operates multiple luminaire manufacturing facilities shipping all of their products from one warehouse distribution center. This allows **Tamlite** to operate a cost effective operation, maintain competitive pricing, and at the same time provide the customer with maximum flexibility.

Tamlite Lighting invests a lot of time and resources into the areas of quality and service, but one of the most important areas of investment is in the people that make **Tamlite Lighting** what it is today. The high level of dedication and the commitment from the people within our organization is the reason for our continued growth and success. This in turn ensures our customers a heightened level of service and satisfaction. With the increased market demand for high quality luminaires, new and innovative products, and our ever changing industry standards, **Tamlite** is poised to meet these challenges.

Our overall success to date has been achieved through our continuous efforts in the areas of communication, product reliability, product quality, product development, maintaining stock levels, and customer service. Our most important objective is to achieve and maintain the highest level of customer satisfaction possible by recognizing and fulfilling the needs of our customers. Our customers are #1 and always will be.



Tamlite Lighting's **HID** division specializes in interior and exterior high intensity discharge fixtures and light sources suitable for applications throughout North America. Through significant investments in personnel and manufacturing processes, and by staying current with the latest lighting technology, we are continually working to improve our quality, service, product reliability, and reputation. It is through our dedication and our continually expanding product offerings that we strive to become a nationally recognized "supplier of choice" with unparalleled service to our customers.

Tamlite HID division offers a full range of HID lighting products and accessories to meet the demands of today's ever changing marketplace. Our continually expanding product lines include wall packs, flood lights, high bay/low bay fixtures, and ballast kits; offered in a wide variety of wattages in metal halide, high pressure sodium, and fluorescent. In addition, we offer a wide range of accessories to compliment all of our product offerings.

We take great pride in producing products that not only meet our high standards, but meet the expectations of our customers. Each and every fixture assembled in our factory is subjected to a complete series of electrical tests for ground continuity, insulation integrity, and functionality. These tests ensure the customer will be receiving not only a quality product, but a safe one.

Due to the continuing growth of **Tamlite's HID** division through additional product offerings and increasing customer base, we are constantly expanding our inventory to fulfill the needs of our customers. However, should you not find the required fixtures or accessories you are looking for, please feel free to contact us and see if we can find a solution to your lighting needs.

mission statement:

To contribute to the success of our customers by providing products and services of the highest quality.

To be successful in our own mission we shall participate in creating an environment where we all have an important part to play.

We shall promote quality, team work, and people in a company dedicated to service, innovation, and achievement.





commercial
lighting

flood lighting 02-21

par 38	02
mini fluorescent	03
quartz	04
roundback	05
small	06
medium	08
intermediate	10
16" large	12
23" extra large	14
sportslighter	16
adjustable bollard	18
louvered bollard	19
type V bollard	20

parking lot lighting 22-39

aeroray 20	22
aeroray 40	23
angle light 20	24
angle light 40	26
LL12	28
LL16	30
LL23	32
spoke brackets	34
square brackets & bull horns	35
mounting accessories	36
wall brackets	37
120 mph composite poles	38
150 mph composite poles	39

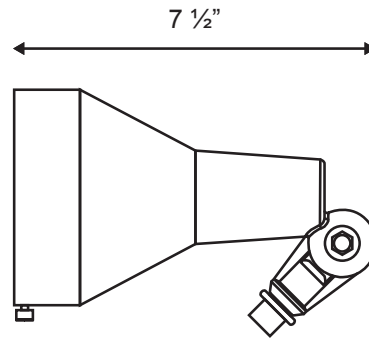
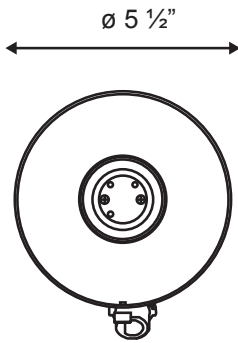
technical pages 40-49

wind zone map	40
pole selection	41
pole installation instruction	42
technical information	43
warranty & disclaimer	47
index	48
cross promotion	49

table of contents



The Par 38 lamp holder is a high quality unit that is ideal for mounting under eaves, for lighting patios, yards, and walkways.



product code	description	voltage
BUL1X50	150W MAX PAR 38 LAMPHOLDER	120

features

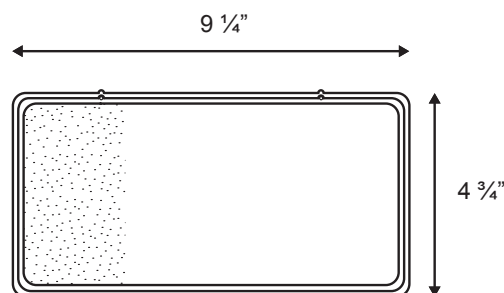
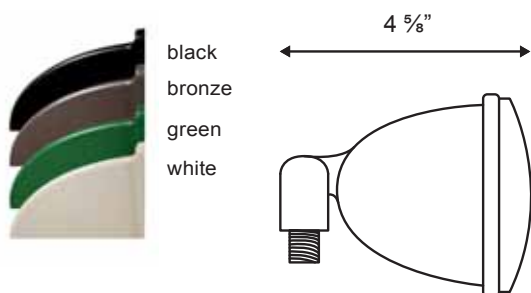
- Die-cast housing
- Chromate conversion coating
- Textured bronze finish
- Porcelain medium base socket
- Lamp not included
- 1/2" threaded adjustable knuckle



mini fluorescent ■ □ flood



The mini fluorescent floodlight is designed to accommodate your light commercial and residential landscape lighting needs. The attractive lightweight injection molded housing and fluorescent gear combine to make this flood durable and economical. The adjustable stem facilitates aiming and is designed to allow for easy mounting to a box or a ground stake. (GRSTK)



product code	description	color	voltage	max.current	lamp included
13 WATT					
FL10F13	13 WATT POLYCARBONATE	BLACK	120	.29	1 - 13 WATT PL
FL10F13BR	13 WATT POLYCARBONATE	BRONZE	120	.29	1 - 13 WATT PL
FL10F13GR	13 WATT POLYCARBONATE	GREEN	120	.29	1 - 13 WATT PL
FL10F13WH	13 WATT POLYCARBONATE	WHITE	120	.29	1 - 13 WATT PL
26 WATT					
FL10F26	26 WATT POLYCARBONATE	BLACK	120	.57	2 - 13 WATT PL
FL10F26BR	26 WATT POLYCARBONATE	BRONZE	120	.57	2 - 13 WATT PL
FL10F26GR	26 WATT POLYCARBONATE	GREEN	120	.57	2 - 13 WATT PL
FL10F26WH	26 WATT POLYCARBONATE	WHITE	120	.57	2 - 13 WATT PL

product code	description
accessories	
GRSTK	GROUND STAKE



- Versatile when mounted on the flood accessory groundstake
- Available in 4 colors: black, bronze, green, and white
- 2½" adjustable stem with ½" threads
- Injection molded weatherproof housing
- Clear polycarbonate lens
- Compact fluorescent lamp(s) included
- Aluminum reflector

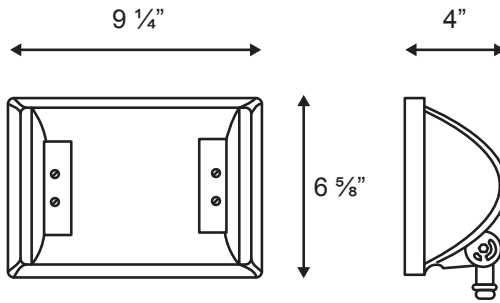
features

03

The quartz floods are compact economical alternatives to our traditional outdoor flood lights. These floods can be used to illuminate signs, landscaping, and other light commercial or residential applications.



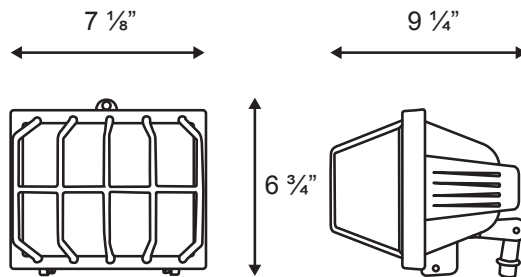
product code	description	voltage
QT3500	500W MAX QUARTZ FLOOD	120



- “Clip on” tempered glass lens
- Aluminum reflector
- Die-cast body with smooth bronze finish
- 1/2” threaded adjustable knuckle
- Die-cast round mounting plate included
- 500W double ended quartz lamp included



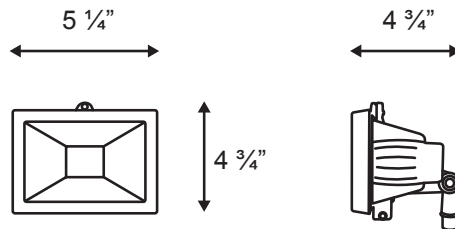
product code	description	voltage
QT300LG	300W MAX QUARTZ FLOOD	120



- Hinged door with tempered glass lens and die-cast guard
- Aluminum reflector
- Die-cast body with smooth bronze finish
- 1/2” threaded adjustable knuckle
- Die-cast backplate included
- 300W double ended quartz lamp included



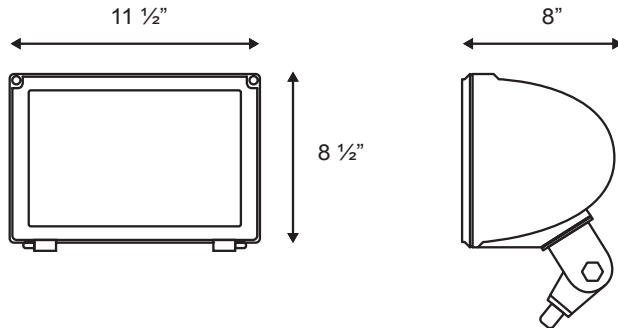
product code	color	description	voltage
QT150LDW	WHITE	150W MAX QUARTZ FLOOD	120
QT150LD	BRONZE	150W MAX QUARTZ FLOOD	120



- Hinged door with tempered glass lens
- Aluminum reflector
- Die-cast body with smooth powdercoat finish
- 1/2” threaded adjustable knuckle
- Die-cast backplate included
- 150W double ended quartz lamp included



The roundback flood is a great alternative to our traditional floodlights when a more stylish fixture is desired to compliment various landscape or architectural designs. The adjustable knuckle facilitates positioning and is designed to allow for easy mounting to a box or a ground stake. (GRSTK)



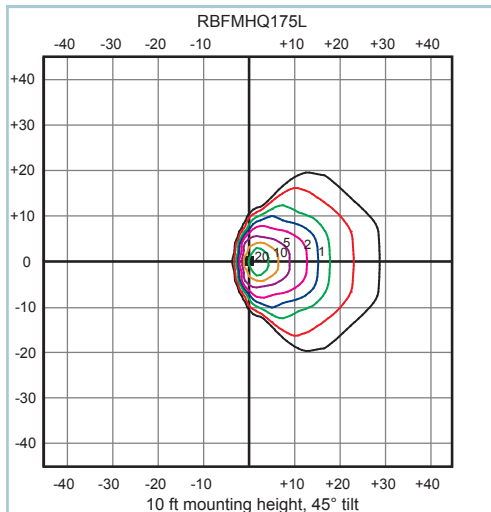
shown with optional 2-3/8" tenon mount swivel which must be ordered separately

product code	description	voltage	max.current	lamp included	weight (≈)
metal halide					
RBFMHQ70L	70W MH	120/208/240/277	1.7/1.04/.87/1.78	70W MH, MEDIUM BASE, CLEAR, ANSI M98	14.5 lbs.
RBFMHQ100L	100W MH	120/208/240/277	2.4/1.45/1.2/1.0	100W MH, MEDIUM BASE, CLEAR, ANSI M90	14.9 lbs.
RBFMHQ150L	150W MH	120/208/240/277	3.32/1.93/1.66/1.48	150W MH, MEDIUM BASE, CLEAR, ANSI M102	17.5 lbs.
RBFMHQ175L	175W MH	120/208/240/277	1.95/1.15/.98/1.85	175W MH, MEDIUM BASE, CLEAR, ANSI M57	16.2 lbs.
high pressure sodium					
RBFHPQ70L	70W HPS	120/208/240/277	1.5/.88/.75/.65	70W HPS, MEDIUM BASE, CLEAR, ANSI S62	13.8 lbs.
RBFHPQ100L	100W HPS	120/208/240/277	2.2/1.3/1.1/.95	100W HPS, MEDIUM BASE, CLEAR, ANSI S54	16.4 lbs.
RBFHPQ150L	150W HPS	120/208/240/277	3.0/1.7/1.5/1.3	150W HPS, MEDIUM BASE, CLEAR, ANSI S55	17.4 lbs.

• Quad tap units are prewired for 277 VAC



product code	description
accessories	
GRSTK	GROUND STAKE
RBFWG	WIRE GUARD KIT
LFSW	2-3/8" TENON MOUNT SWIVEL

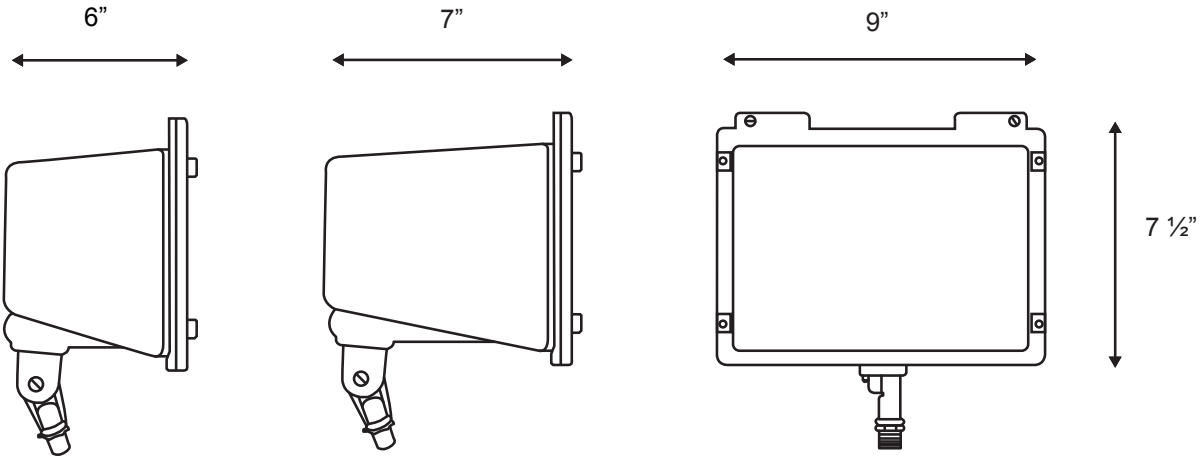


- Die-cast housing with hinged front frame
- Chromate conversion coating
- Textured bronze finish
- Tempered flat glass lens
- Aluminum reflector
- Porcelain medium base socket
- Adjustable knuckle with 1/2" threads
- Lamp included

features



The small flood is a good choice for illuminating signs, landscapes, and small building façades. The adjustable knuckle facilitates positioning and is designed to allow for easy mounting to a box or a groundstake. (GRSTK)



120V Units

Quad Tap Units

features

- Die-cast housing with hinged front frame
- Chromate conversion coating
- Textured bronze finish
- Tempered flat glass lens
- Aluminum reflector
- Adjustable knuckle with 1/2" threads
- Porcelain medium base socket
- Lamp included



product code	description	voltage	max.current	lamp included	weight (≈)
metal halide					
SFMHQ50L	50W MH	120/208/240/277	1.16/.67/.57/.50	50W MH, MEDIUM BASE, CLEAR, ANSI M110	8.2 lbs.
SFMHQ70L	70W MH	120/208/240/277	1.7/1.04/.87/.78	70W MH, MEDIUM BASE, CLEAR, ANSI M98	9.1 lbs.
SFMHQ100L	100W MH	120/208/240/277	2.4/1.45/1.2/1.0	100W MH, MEDIUM BASE, CLEAR, ANSI M90	9.4 lbs.
high pressure sodium					
SFHPA35L	35W HPS	120	0.63	35W HPS, MEDIUM BASE, CLEAR, ANSI S76	5.5 lbs.
SFHPA50L	50W HPS	120	0.9	50W HPS, MEDIUM BASE, CLEAR, ANSI S68	5.8 lbs.
SFHPA70L	70W HPS	120	1.3	70W HPS, MEDIUM BASE, CLEAR, ANSI S62	6.1 lbs.
SFHPQ70L	70W HPS	120/208/240/277	1.5/.88/.75/.65	70W HPS, MEDIUM BASE, CLEAR, ANSI S62	8.4 lbs.
SFHPA100L	100W HPS	120	1.81	100W HPS, MEDIUM BASE, CLEAR, ANSI S54	6.8 lbs.
SFHPQ100L	100W HPS	120/208/240/277	2.2/1.3/1.1/.95	100W HPS, MEDIUM BASE, CLEAR, ANSI S54	10.6 lbs.
SFHPA150L	150W HPS	120	3	150W HPS, MEDIUM BASE, CLEAR, ANSI S55	7.5 lbs.

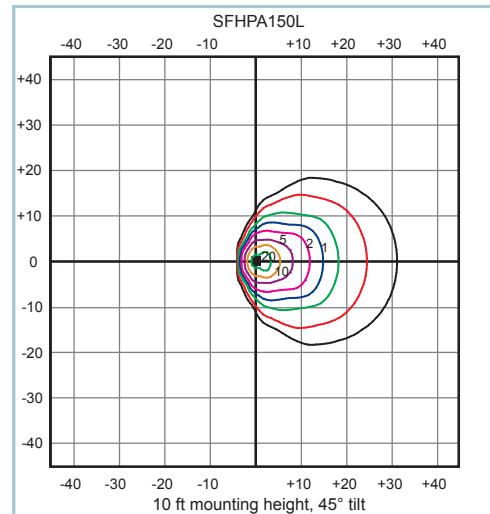
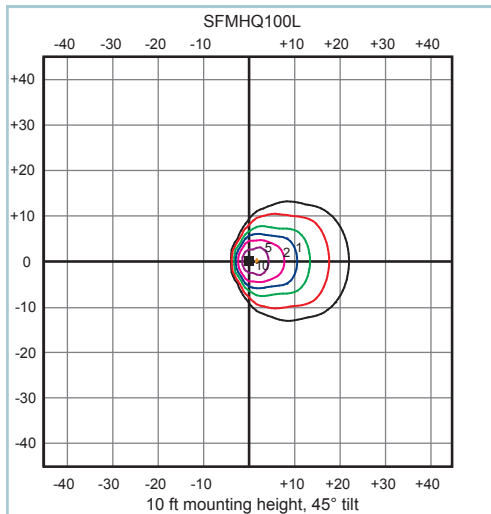
• Quad tap units are prewired for 277 VAC

product code	description
accessories	
SFLEX KIT	POLYCARBONATE GUARD KIT
SF DOOR	REPLACEMENT GLASS & FRAME
GRSTK	GROUND STAKE

GRSTK

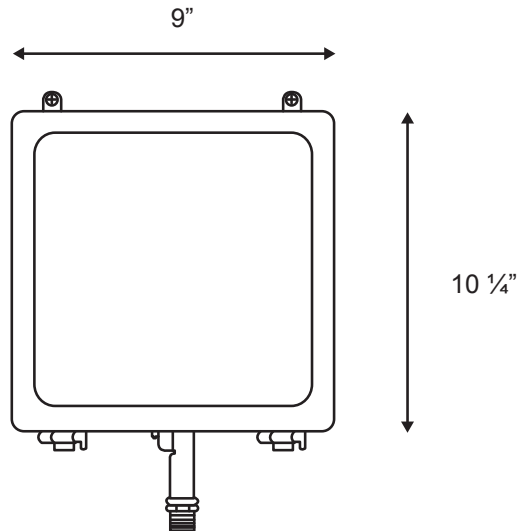
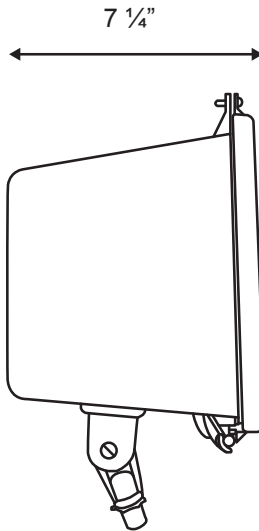


SFLEX KIT





The medium flood is a versatile unit that can be used in larger residential or light commercial applications such as housing or office/retail complexes. The adjustable knuckle facilitates positioning and is designed to allow for easy mounting to a box or a groundstake. (GRSTK)



features

- Die-cast housing with hinged front frame
- Chromate conversion coating
- Textured bronze finish
- Tempered flat glass lens
- Aluminum reflector
- Adjustable knuckle with angle indicators and 1/2" threads
- Porcelain medium base socket
- Lamp included



product code	description	voltage	max.current	lamp included	weight (≈)
metal halide					
MFFMHQ50L	50W MH	120/208/240/277	1.16/.67/.57/.50	50W MH, MEDIUM BASE, CLEAR, ANSI M110	10.0 lbs.
MFFMHQ70L	70W MH	120/208/240/277	1.7/1.04/.87/.78	70W MH, MEDIUM BASE, CLEAR, ANSI M98	10.9 lbs.
MFFMHQ100L	100W MH	120/208/240/277	2.4/1.45/1.2/1.0	100W MH, MEDIUM BASE, CLEAR, ANSI M90	11.1 lbs.
MFFMHQ150L	150W MH	120/208/240/277	3.32/1.93/1.66/1.48	150W MH, MEDIUM BASE, CLEAR, ANSI M102	13.8 lbs.
MFFMHF175L	175W MH	120/208/240/277/480	1.9/1.1/.95/.85/.50	175W MH, MEDIUM BASE, CLEAR, ANSI M57	15.0 lbs.
MFFMHQ175L	175W MH	120/208/240/277	1.95/1.15/.98/.85	175W MH, MEDIUM BASE, CLEAR, ANSI M57	12.5 lbs.
high pressure sodium					
MFFHPQ70L	70W HPS	120/208/240/277	1.5/.88/.75/.65	70W HPS, MEDIUM BASE, CLEAR, ANSI S62	10.2 lbs.
MFFHPQ100L	100W HPS	120/208/240/277	2.2/1.3/1.1/.95	100W HPS, MEDIUM BASE, CLEAR, ANSI S54	12.4 lbs.
MFFHPQ150L	150W HPS	120/208/240/277	3.0/1.7/1.5/1.3	150W HPS, MEDIUM BASE, CLEAR, ANSI S55	15.0 lbs.

• Quad tap units are prewired for 277 VAC

product code	description
accessories	
MFF FF	REPLACEMENT GLASS & FRAME
MFF PTF	2-3/8" – 3-1/2" POLE TOP FITTER
MFFGS KIT	GLARE SHIELD KIT
MFFLEX KIT	POLYCARBONATE GUARD KIT
GRSTK	GROUND STAKE



MFF PTF



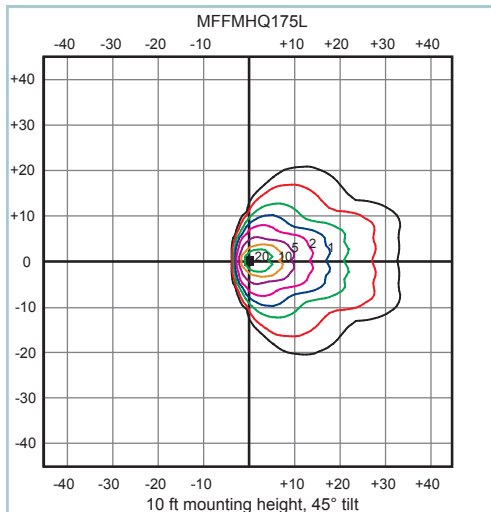
MFFGS KIT



MFFLEX KIT



GRSTK

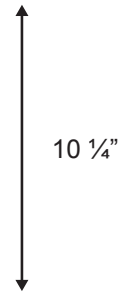
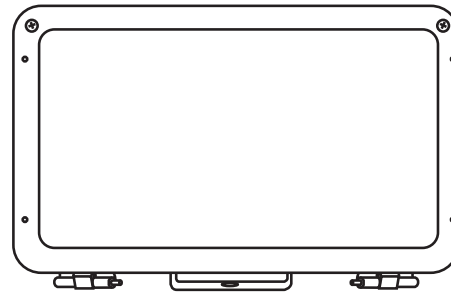
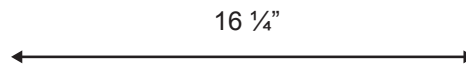
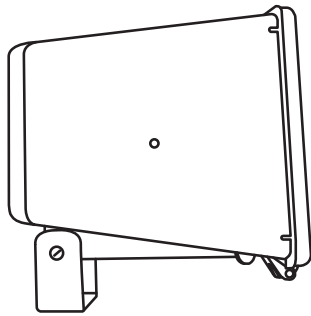
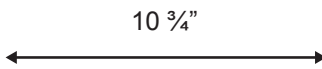




The intermediate flood is a versatile unit. It can be mounted using the standard trunion, the optional pole top fitter, or the optional wide trunion which allows an even wider range of adjustment. Because of its deeper body, this flood is a great alternative to our large flood when a high wattage lower profile fixture is desired.



shown with optional 2-3/8" pole top fitter for tenon mounting, which must be ordered separately



features

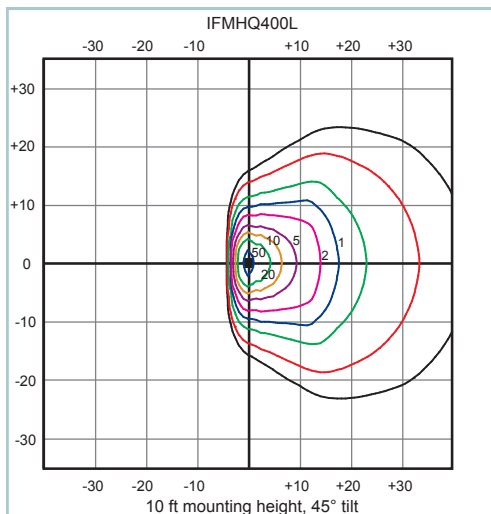
- Die-cast housing with pin type hinges
- Chromate conversion coating
- Textured bronze finish
- Tempered flat glass lens
- Aluminum reflector
- Trunion mounting bracket
- Porcelain mogul base socket
- Lamp included



product code	description	voltage	max.current	lamp included	weight (≈)
metal halide					
IFMHF175L	175W MH	120/208/240/277/480	1.9/1.1/.95/.85/.50	175W MH, MOGUL BASE, CLEAR, ANSI M57	21.1 lbs.
IFMHQ175L	175W MH	120/208/240/277	1.95/1.15/.98/.85	175W MH, MOGUL BASE, CLEAR, ANSI M57	19.9 lbs.
IFMHE250L	250W MH	480	0.65	250W MH, MOGUL BASE, CLEAR, ANSI M58	23.9 lbs.
IFMHQ250L	250W MH	120/208/240/277	2.65/1.58/1.3/1.13	250W MH, MOGUL BASE, CLEAR, ANSI M58	21.6 lbs.
IFMHF400L	400W MH	120/208/240/277/480	4.0/2.3/2.0/1.7/1.0	400W MH, MOGUL BASE, CLEAR, ANSI M59	24.9 lbs.
IFMHQ400L	400W MH	120/208/240/277	3.94/2.2/1.93/1.69	400W MH, MOGUL BASE, CLEAR, ANSI M59	23.7 lbs.
high pressure sodium					
IFHPQ150L	150W HPS	120/208/240/277	3.0/1.7/1.5/1.3	150W HPS, MOGUL BASE, CLEAR, ANSI S55	22.4 lbs.
IFHPE250L	250W HPS	480	0.62	250W HPS, MOGUL BASE, CLEAR, ANSI S50	24.8 lbs.
IFHPQ250L	250W HPS	120/208/240/277	2.5/1.4/1.2/1.1	250W HPS, MOGUL BASE, CLEAR, ANSI S50	24.0 lbs.
IFHPE400L	400W HPS	480	1	400W HPS, MOGUL BASE, CLEAR, ANSI S51	29.7 lbs.
IFHPQ400L	400W HPS	120/208/240/277	3.8/2.2/1.8/1.6	400W HPS, MOGUL BASE, CLEAR, ANSI S51	28.0 lbs.

product code	description
accessories	
IF DOOR	DOOR & GLASS ASSEMBLY
IF2PTF	2-3/8" POLE TOP FITTER
IFBNARROW	STANDARD TRUNION BRACKET
IFBWIDE	WIDE TRUNION BRACKET
IFGS KIT	GLARE SHIELD KIT
IFLG KIT	POLYCARBONATE GUARD KIT
IFWG KIT	WIRE GUARD KIT

product code	description	page
mounting brackets <i>see page listed for specifications</i>		
LLSAB-DB	SIDE ANGLE BRACKET	37
LLR200SO16CW	CROSS ARM BRACKET	37
LLRAB-DB	RIGHT ANGLE BRACKET	37
LLRSR-B2-2DB	2 LIGHT INLINE SQUARE BRACKET	35
LLRSR-B3-2DB	3 LIGHT INLINE SQUARE BRACKET	35
LLRSR-B4-2DB	4 LIGHT INLINE SQUARE BRACKET	35
LLRSR-T3-2DB	3 LIGHT SQUARE BRACKET @ 120°	35
LLRSR-T4-2DB	4 LIGHT SQUARE BRACKET @ 90°	35
LLS2-S36-2DB	2 LIGHT INLINE TUBULAR BRACKET	35
LLS3-S30-2DB	3 LIGHT INLINE TUBULAR BRACKET	35
LLS4-S30-2DB	4 LIGHT INLINE TUBULAR BRACKET	35
LLS3-A24-2DB	3 LIGHT TUBULAR BRACKET @ 120°	35
LLS4-A24-2DB	4 LIGHT TUBULAR BRACKET @ 90°	35

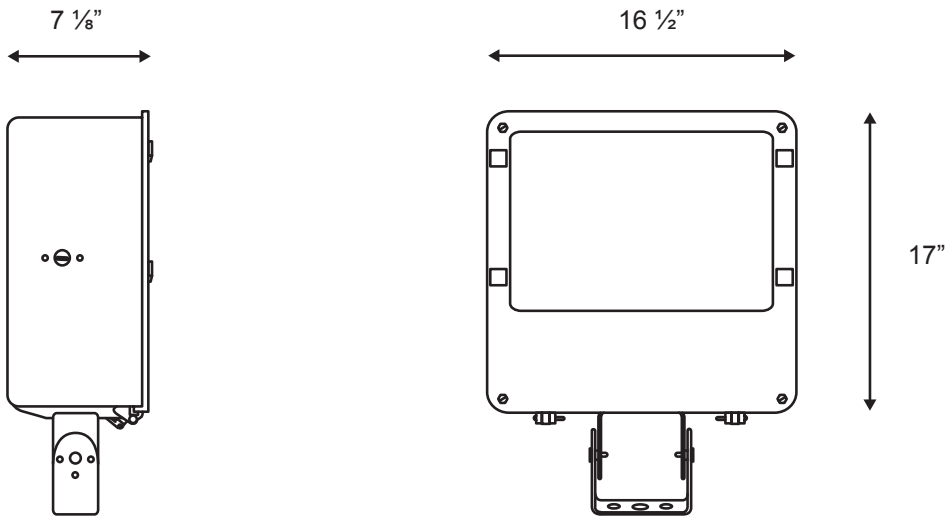




The 16" large flood is ideal for areas requiring wide coverage such as parking areas or large building façades. It is available with the standard trunion bracket, or a 2- $\frac{3}{8}$ " tenon mount swivel. Both options allow the fixture to be tilted up or down.



models with "SW" suffix have 2 $\frac{3}{8}$ " tenon mount swivel installed in place of standard trunion mount



features

- Die-cast housing with pin type hinges
- Chromate conversion coating
- Textured bronze finish
- Tempered glass lens
- Aluminum reflector
- Trunion or swivel mount
- Porcelain mogul base socket
- Lamp included



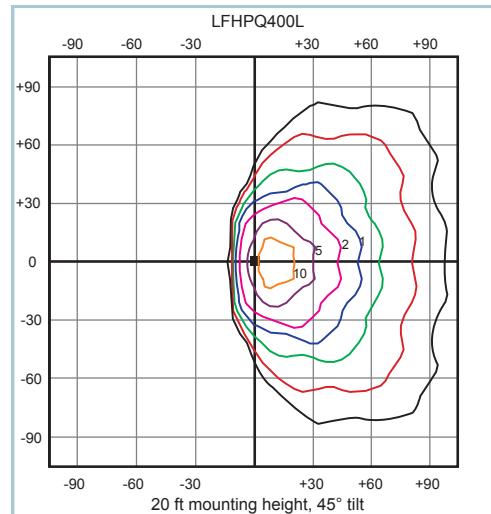
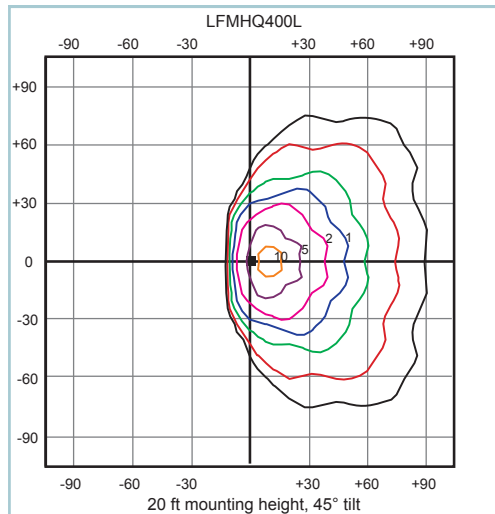
16 inch large flood



product code	description	voltage	max.current	lamp included	weight (≈)
metal halide					
LFMHE250L	250W MH	480	0.65	250W MH, MOGUL BASE, CLEAR, ANSI M58	29.2 lbs.
LFMHE250LSW	250W MH WITH SWIVEL	480	0.65	250W MH, MOGUL BASE, CLEAR, ANSI M58	26.7 lbs.
LFMHQ250L	250W MH	120/208/240/277	2.65/1.58/1.30/1.13	250W MH, MOGUL BASE, CLEAR, ANSI M58	30.2 lbs.
LFMHQ250LSW	250W MH WITH SWIVEL	120/208/240/277	2.65/1.58/1.30/1.13	250W MH, MOGUL BASE, CLEAR, ANSI M58	32.6 lbs.
LFMHF400L	400W MH	120/208/240/277/480	2.5/1.5/1.25/1.1/1.65	400W MH, MOGUL BASE, CLEAR, ANSI M59	30.2 lbs.
LFMHF400LSW	400W MH WITH SWIVEL	120/208/240/277/480	2.5/1.5/1.25/1.1/1.65	400W MH, MOGUL BASE, CLEAR, ANSI M59	32.6 lbs.
LFMHQ400L	400W MH	120/208/240/277	3.94/2.2/1.93/1.69	400W MH, MOGUL BASE, CLEAR, ANSI M59	29.0 lbs.
LFMHQ400LSW	400W MH WITH SWIVEL	120/208/240/277	3.94/2.2/1.93/1.69	400W MH, MOGUL BASE, CLEAR, ANSI M59	31.3 lbs.
high pressure sodium					
LFHPE250L	250W HPS	480	0.62	250W HPS, MOGUL BASE, CLEAR, ANSI S50	29.6 lbs.
LFHPE250LSW	250W HPS WITH SWIVEL	480	0.62	250W HPS, MOGUL BASE, CLEAR, ANSI S50	32.0 lbs.
LFHPQ250L	250W HPS	120/208/240/277	2.5/1.4/1.2/1.1	250W HPS, MOGUL BASE, CLEAR, ANSI S50	29.2 lbs.
LFHPQ250LSW	250W HPS WITH SWIVEL	120/208/240/277	2.5/1.4/1.2/1.1	250W HPS, MOGUL BASE, CLEAR, ANSI S50	31.7 lbs.
LFHPE400L	400W HPS	480	1	400W HPS, MOGUL BASE, CLEAR, ANSI S51	34.7 lbs.
LFHPE400LSW	400W HPS WITH SWIVEL	480	1	400W HPS, MOGUL BASE, CLEAR, ANSI S51	37.1 lbs.
LFHPQ400L	400W HPS	120/208/240/277	3.8/2.2/1.8/1.6	400W HPS, MOGUL BASE, CLEAR, ANSI S51	33.1 lbs.
LFHPQ400LSW	400W HPS WITH SWIVEL	120/208/240/277	3.8/2.2/1.8/1.6	400W HPS, MOGUL BASE, CLEAR, ANSI S51	35.5 lbs.

product code	description
accessories	
LFBFL	BAFFLE KIT
LF DF	REPLACEMENT DOOR & GLASS
LFBR	TRUNION BRACKET
LFGS KIT	GLARE SHIELD KIT
LFSW	2-3/8" TENON MOUNT SWIVEL
LFWG KIT	WIRE GUARE KIT

product code	description	page
mounting brackets see page listed for specifications		
LLSAB-DB	SIDE ANGLE BRACKET	37
LLR200SO16CW	CROSS ARM BRACKET	37
LLRAB-DB	RIGHT ANGLE BRACKET	37
LLRSR-B2-2DB	2 LIGHT INLINE SQUARE BRACKET	35
LLRSR-B3-2DB	3 LIGHT INLINE SQUARE BRACKET	35
LLRSR-B4-2DB	4 LIGHT INLINE SQUARE BRACKET	35
LLRSR-T3-2DB	3 LIGHT SQUARE BRACKET @ 120°	35
LLRSR-T4-2DB	4 LIGHT SQUARE BRACKET @ 90°	35
LLS2-S36-2DB	2 LIGHT INLINE TUBULAR BRACKET	35
LLS3-S30-2DB	3 LIGHT INLINE TUBULAR BRACKET	35
LLS4-S30-2DB	4 LIGHT INLINE TUBULAR BRACKET	35
LLS3-A24-2DB	3 LIGHT TUBULAR BRACKET @ 120°	35
LLS4-A24-2DB	4 LIGHT TUBULAR BRACKET @ 90°	35

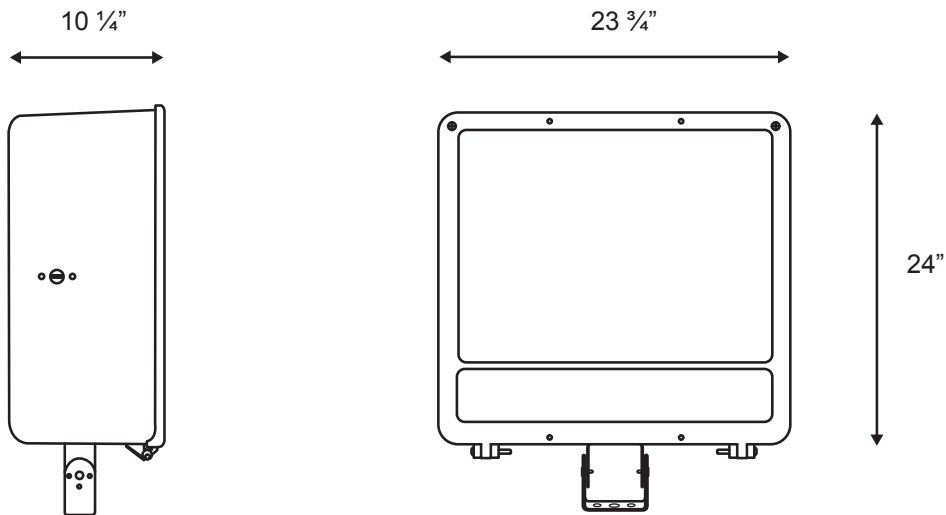




The 23" large floodlight is ideal for lighting large commercial, industrial, or recreational areas. It is available with a standard trunion bracket or a 2-3/4" tenon mount swivel. Both options allow the fixture to be tilted to the desired angle.



models with "SW" suffix have 2-3/4" tenon mount swivel installed in place of standard trunion mount



features

- Die-cast housing with pin type hinges
- Chromate conversion coating
- Textured bronze finish
- Tempered glass lens
- Aluminum reflector
- Porcelain mogul base socket
- Trunion or swivel mount
- Lamp included



23 inch extra-large ■□ flood



product code	description	voltage	max.current	lamp included	weight (≈)
metal halide					
LFMHF1000L	1000W MH	120/208/240/277/480	9.1/5.0/4.6/4.0/2.3	1000W MH, MOGUL BASE, CLEAR, ANSI M47	63.8 lbs.
LFMHF1000LSW	1000W MH WITH SWIVEL	120/208/240/277/480	9.1/5.0/4.6/4.0/2.3	1000W MH, MOGUL BASE, CLEAR, ANSI M47	67.9 lbs.
high pressure sodium					
LFHPE1000L	1000W HPS	480	2.45	1000W HPS, MOGUL BASE, CLEAR, ANSI S52	70.0 lbs.
LFHPE1000LSW	1000W HPS WITH SWIVEL	480	2.45	1000W HPS, MOGUL BASE, CLEAR, ANSI S52	74.1 lbs.
LFHPQ1000L	1000W HPS	120/208/240/277	9.5/5.5/4.8/4.2	1000W HPS, MOGUL BASE, CLEAR, ANSI S52	70.1 lbs.
LFHPQ1000LSW	1000W HPS WITH SWIVEL	120/208/240/277	9.5/5.5/4.8/4.2	1000W HPS, MOGUL BASE, CLEAR, ANSI S52	74.2 lbs.

product code	description
accessories	
XLF BR	TRUNION BRACKET
XLF DOOR	REPLACEMENT DOOR & GLASS
XLF SW	2-3/8" POLE TOP FITTER
XLFBFL KIT	BAFFLE KIT
XLFGS KIT	GLARE SHIELD KIT
XLFWG	WIRE GUARE KIT

product code	description	page
mounting brackets <i>see page listed for specifications</i>		
LLSAB-DB	SIDE ANGLE BRACKET	37
LLR200SO16CW	CROSS ARM BRACKET	37
LLRAB-DB	RIGHT ANGLE BRACKET	37
LLRSR-B2-2DB	2 LIGHT INLINE SQUARE BRACKET	35
LLRSR-B3-2DB	3 LIGHT INLINE SQUARE BRACKET	35
LLRSR-B4-2DB	4 LIGHT INLINE SQUARE BRACKET	35
LLRSR-T3-2DB	3 LIGHT SQUARE BRACKET @ 120°	35
LLRSR-T4-2DB	4 LIGHT SQUARE BRACKET @ 90°	35
LLS2-S36-2DB	2 LIGHT INLINE TUBULAR BRACKET	35
LLS3-S30-2DB	3 LIGHT INLINE TUBULAR BRACKET	35
LLS4-S30-2DB	4 LIGHT INLINE TUBULAR BRACKET	35
LLS3-A24-2DB	3 LIGHT TUBULAR BRACKET @ 120°	35
LLS4-A24-2DB	4 LIGHT TUBULAR BRACKET @ 90°	35



XLFGS KIT



XLFBFL KIT



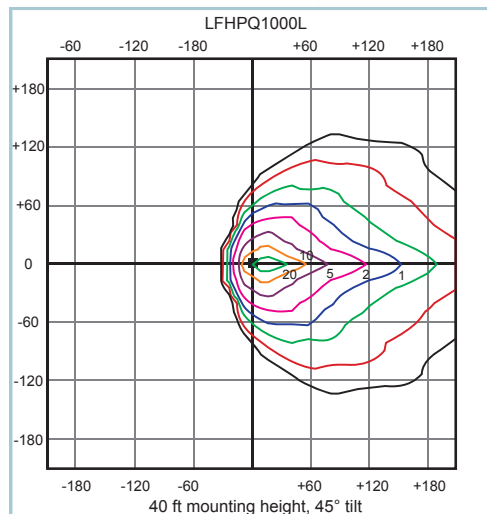
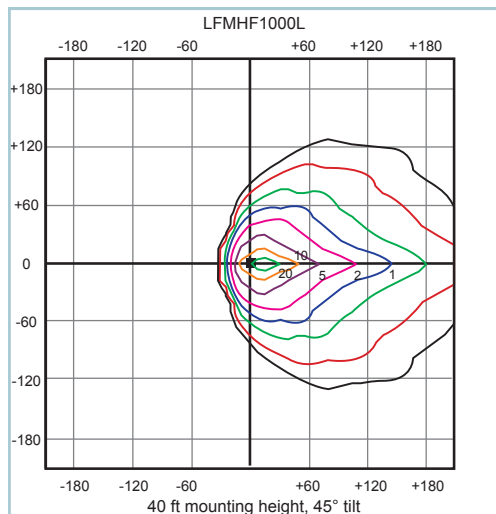
XLF SW



XLFWG KIT

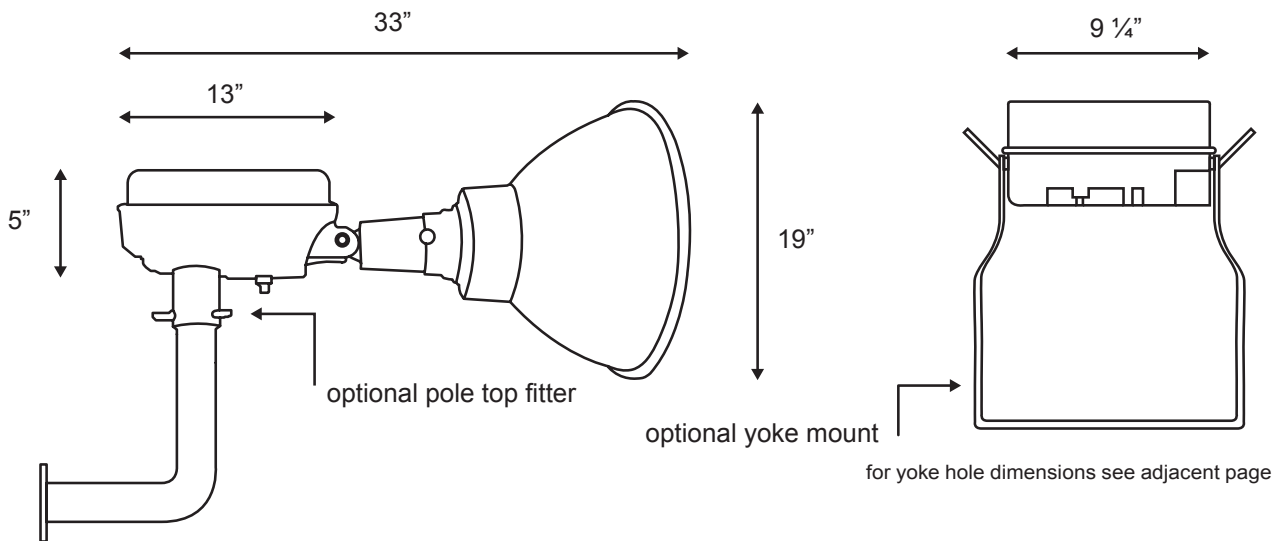


XLF BR





The sportslighter is ideal for lighting applications such as stadiums and recreational sports complexes, as well as large area flood lighting. An optional pole top fitter or a yoke mount bracket with wrench type handles for "no tools" aiming are available for mounting.



features

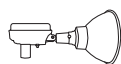
- Die-cast ballast housing with stamped aluminum cover and gasket
- Chromate conversion coating
- Textured bronze finish
- Tempered glass lens with gasket
- Anodized pinged aluminum reflector
- Porcelain mogul base socket
- Lamp included



product code	description	voltage	max.current	lamp included	weight (≈)
high pressure sodium					
SP1MF14L	1000W MH	120/208/240/277/480	9.15/5.25/4.55/3.95/2.3	1000W MH, MOGUL BASE, CLEAR, ANSI M47	36.7 lbs.
SP1MQ15L	1500W MH	120/208/240/277	14.0/8.0/7.0/6.0	1500W MH, MOGUL BASE, CLEAR, ANSI M48	44.8 lbs.
SP1ME15L	1500W MH	480	3.5	1500W MH, MOGUL BASE, CLEAR, ANSI M48	44.3 lbs.

• Sportslighters do not include mounting brackets, you must order one of the mounting accessories listed below. (SPL PTF, SPL YOKE)

EPA	head angle
EPA ratings	
2.35	0°



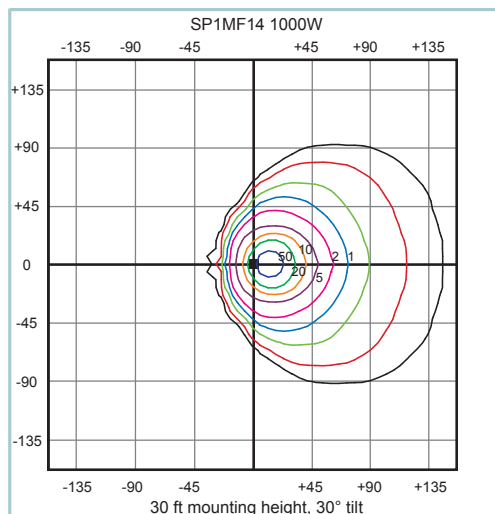
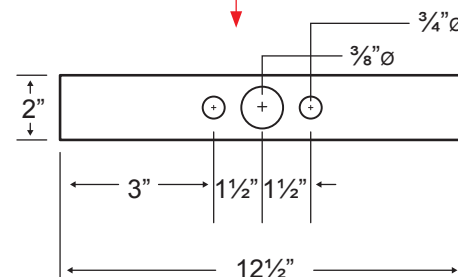
product code	description
accessories	
SPL PTF	2-3/8" POLE TOP FITTER
SPL YOKE	YOKE MOUNT BRACKET

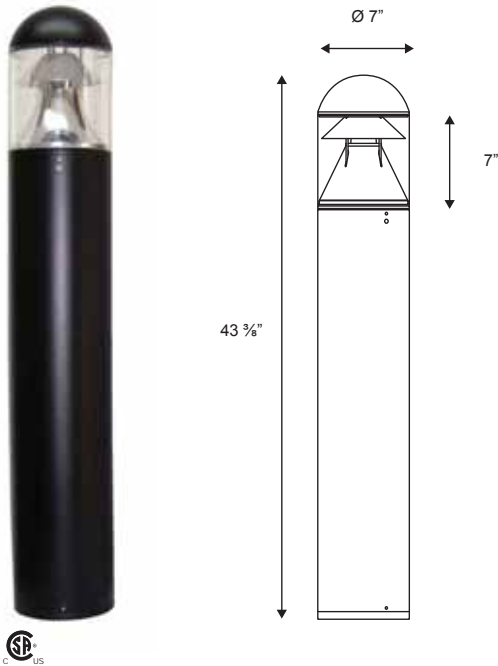


SPL PTF

SPL YOKE

product code	description	page
mounting brackets see page listed for specifications		
LLSAB-DB	SIDE ANGLE BRACKET	37
LLR200SO16CW	CROSS ARM BRACKET	37
LLRAB-DB	RIGHT ANGLE BRACKET	37
LLRSR-B2-2DB	2 LIGHT INLINE SQUARE BRACKET	35
LLRSR-B3-2DB	3 LIGHT INLINE SQUARE BRACKET	35
LLRSR-B4-2DB	4 LIGHT INLINE SQUARE BRACKET	35
LLRSR-T3-2DB	3 LIGHT SQUARE BRACKET @ 120°	35
LLRSR-T4-2DB	4 LIGHT SQUARE BRACKET @ 90°	35
LLS2-S36-2DB	2 LIGHT INLINE TUBULAR BRACKET	35
LLS3-S30-2DB	3 LIGHT INLINE TUBULAR BRACKET	35
LLS4-S30-2DB	4 LIGHT INLINE TUBULAR BRACKET	35
LLS3-A24-2DB	3 LIGHT TUBULAR BRACKET @ 120°	35
LLS4-A24-2DB	4 LIGHT TUBULAR BRACKET @ 90°	35





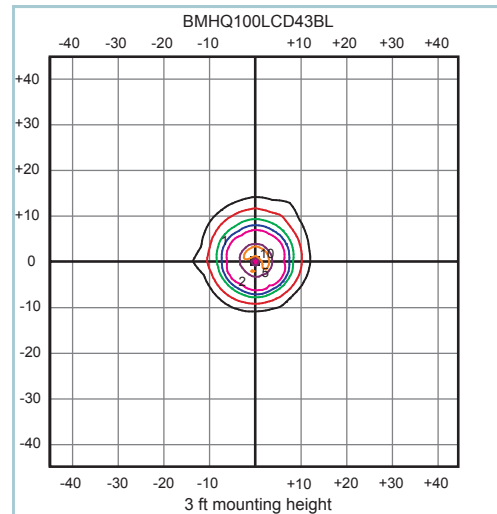
This attractive bollard is excellent for illuminating pathways, parking lots, plazas, entrance ways, parks, or as a landscape accent. It has an adjustable aluminum reflector allowing the user to expand or contract the diameter of the light pattern. A dome top is the finishing touch for this modern look and is practical to keep debris and moisture from collecting on top.

product code	description	voltage	max.current	lamp included
metal halide				
BMHQ70LCD43BL	70W MH, 43" ADJUSTABLE CONE REF., DOME TOP, BLACK	120/208/240/277	1.7/1.04/.87/.78	70W MH, MEDIUM BASE, CLEAR, ANSI M98
BMHQ100LCD43BL	100W MH, 43" ADJUSTABLE CONE REF., DOME TOP, BLACK	120/208/240/277	2.4/1.45/1.2/1.0	100W MH, MEDIUM BASE, CLEAR, ANSI M90
high pressure sodium				
BHPQ70LCD43BL	70W HPS, 43" ADJUSTABLE CONE REF., DOME TOP, BLACK	120/208/240/277	1.5/.88/.75/.65	70W HPS, MEDIUM BASE, CLEAR, ANSI S62
BHPQ100LCD43BL	100W HPS, 43" ADJUSTABLE CONE REF., DOME TOP, BLACK	120/208/240/277	2.2/1.3/1.1/.95	100W HPS, MEDIUM BASE, CLEAR, ANSI S54

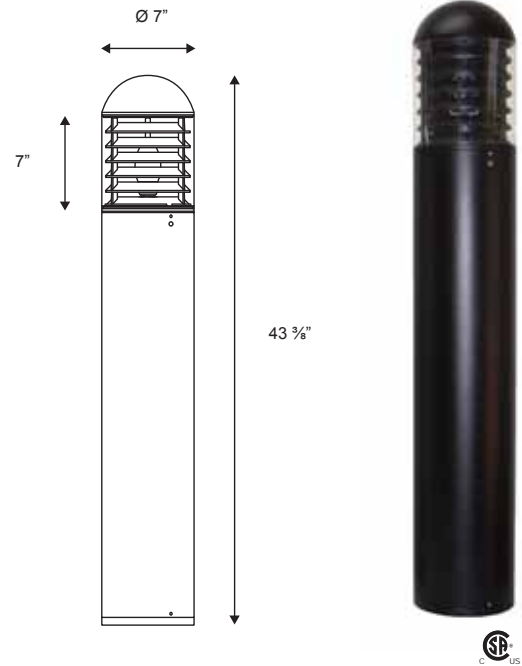
product code	description
accessories	
BOLMT KIT	BRACKET & ANCHOR BOLTS FOR CONCRETE
BOLPCLENS	REPLACEMENT POLYCARBONATE LENS

features

- Extruded aluminum housing
- Flush mounting base
- Stainless steel exterior screws
- Smooth powder coat finish
- Clear polycarbonate lens
- Internal gear/ballast tray for easy maintenance
- Lamp included
- Anchor bolt kit with template included

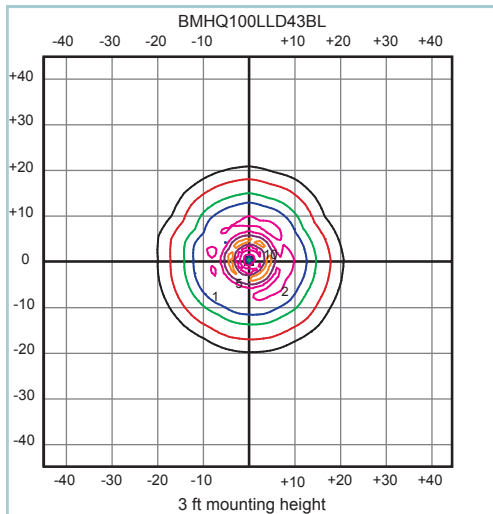


This attractive bollard is excellent for illuminating pathways, parking lots, plazas, entrance ways, parks, or as a landscape accent. It comes with a black aluminum louver that reduces line of sight glare while providing a 360° low level light. A dome top is the finishing touch for this modern look and is practical to keep debris and moisture from collecting on top.



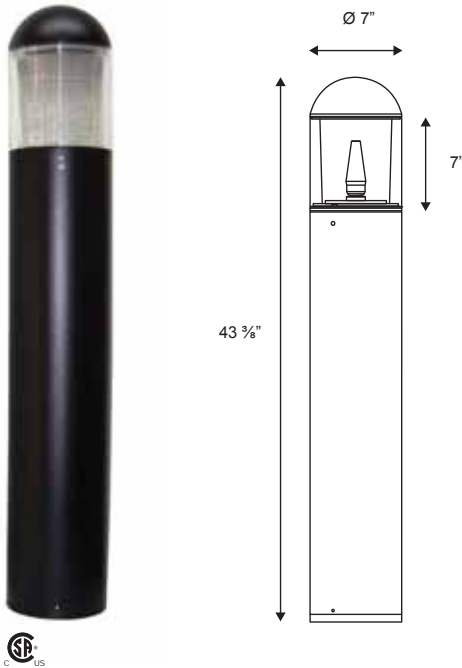
product code	description	voltage	max.current	lamp included
metal halide				
BMHQ70LLD43BL	70W MH, 43" LOUVERED, DOME TOP BLACK	120/208/240/277	1.7/1.04/.87/.78	70W MH, MEDIUM BASE, CLEAR, ANSI M98
BMHQ100LLD43BL	100W MH, 43" LOUVERED, DOME TOP, BLACK	120/208/240/277	2.4/1.45/1.2/1.0	100W MH, MEDIUM BASE, CLEAR, ANSI M90
high pressure sodium				
BHPQ70LLD43BL	70W HPS, 43" LOUVERED, DOME TOP BLACK	120/208/240/277	1.5/.88/.75/.65	70W HPS, MEDIUM BASE, CLEAR, ANSI S62
BHPQ100LLD43BL	100W HPS, 43" LOUVERED, DOME TOP, BLACK	120/208/240/277	2.2/1.3/1.1/1.95	100W HPS, MEDIUM BASE, CLEAR, ANSI S54

product code	description
accessories	
BOLMT KIT	BRACKET & ANCHOR BOLTS FOR CONCRETE
BOLPCLENS	REPLACEMENT POLYCARBONATE LENS



- Extruded aluminum housing
- Flush mounting base
- Stainless steel exterior screws
- Smooth powder coat finish
- Clear polycarbonate lens
- Internal gear/ballast tray for easy maintenance
- Lamp included
- Anchor bolt kit with template included

features



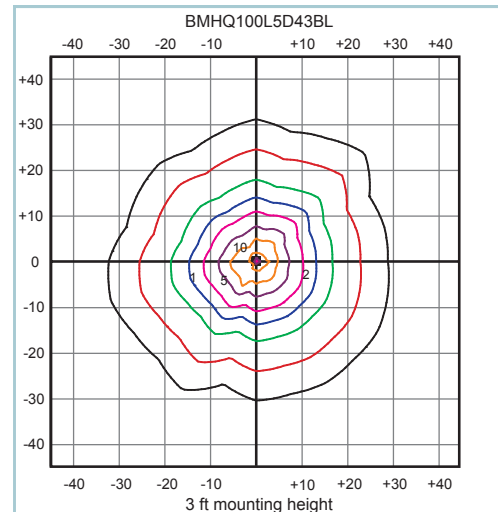
This attractive bollard is excellent for illuminating pathways, parking lots, plazas, entrance ways, parks, or as a landscape accent. It comes with an I.E.S. Type V prismatic borosilicate glass refractor enclosed by a clear polycarbonate lens. The dome top is the finishing touch for this modern look and is practical to keep debris and moisture from collecting on top.

product code	description	voltage	max.current	lamp included
metal halide				
BMHQ70L5D43BL	70W MH, 43" TYPE 5 GLASS, DOME TOP, BLACK	120/208/240/277	1.7/1.04/.87/.78	70W MH, MEDIUM BASE, CLEAR, ANSI M98
BMHQ100L5D43BL	100W MH, 43" TYPE 5 GLASS, DOME TOP, BLACK	120/208/240/277	2.4/1.45/1.2/1.0	100W MH, MEDIUM BASE, CLEAR, ANSI M90
high pressure sodium				
BHPQ70L5D43BL	70W HPS, 43" TYPE 5 GLASS, DOME TOP, BLACK	120/208/240/277	1.5/.88/.75/.65	70W HPS, MEDIUM BASE, CLEAR, ANSI S62
BHPQ100L5D43BL	100W HPS, 43" TYPE 5 GLASS, DOME TOP, BLACK	120/208/240/277	2.2/1.3/1.1/.95	100W HPS, MEDIUM BASE, CLEAR, ANSI S54

product code	description
accessories	
BOLMT KIT	BRACKET & ANCHOR BOLTS FOR CONCRETE
BOLPCLENS	REPLACEMENT POLYCARBONATE LENS

features

- Extruded aluminum housing
- Flush mounting base
- Stainless steel exterior screws
- Smooth powder coat finish
- Clear polycarbonate lens
- Internal gear/ballast tray for easy maintenance
- Lamp included
- Anchor bolt kit with template included





parkinglot lighting

Tamlite HID offers an array of luminaires and mounting accessories for your roadway, parking lot, and area lighting needs.

aeroray 20	22
aeroray 40	23
angle light 20	24
angle light 40	26
LL12	28
LL16	30
LL23	32
spoke brackets	34
square brackets & bull horns	35
mounting accessories	36
wall brackets	37
120 mph composite poles	38
150 mph composite poles	39



The Aeroray 20 area light, with its flowing lines and arched profile, is a great alternative to conventional area lighting. It is designed as a dual purpose area light capable of being pole mounted or wall mounted using optional adapters. Utilizing both mounting options on a single project gives the job a "custom" look. Another advantage to the Aeroray's low profile aerodynamic design is lower EPA's.

* The adjustable lamp socket can be positioned to achieve Type III distribution without changing the reflector.

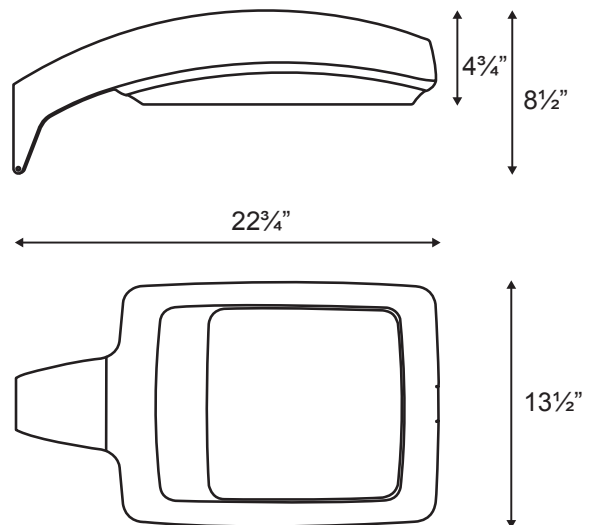
product code	description	voltage	max.current	lamp included	weight (≈)	EPA
metal halide						
AR20MHQ175L	175W MH	120/208/240/277	1.95/1.15/.98/.85	175W MH, MEDIUM BASE, CLEAR, ANSI M57	37.2 lbs.	.62
AR20MHF175L	175W MH	120/208/240/277/480	1.9/1.1/.95/.85/.50	175W MH, MEDIUM BASE, CLEAR, ANSI M57	38.4 lbs.	.62
high pressure sodium						
AR20HPQ150L	150W HPS	120/208/240/277	3.0/1.7/1.5/1.3	150W HPS, MEDIUM BASE, CLEAR, ANSI S55	39.5 lbs.	.62
AR20HPE150L	150W HPS	480	0.72	150W HPS, MEDIUM BASE, CLEAR, ANSI S55	39.9 lbs.	.62

product code	description	EPA
accessories		
ARPCB	PHOTOCELL RECEPTACLE BRACKET	.017
AR20RP	ROUND POLE ADAPTER	.15
AR20WM	WALL MOUNT ADAPTER	.2



features

- Aluminium die-cast body
- Durable dark bronze finish
- Integrated mounting arm
- Mirror aluminium reflector
- Porcelain medium base lamp socket
- "Toolless" relamping feature
- Lamp included



The Aeroray 40 area light, with its flowing lines and arched profile, is a great alternative to conventional area lighting. It is designed as a dual purpose area light capable of being pole mounted or wall mounted using optional adapters. Utilizing both mounting options on a single project gives the job a “custom” look. Another advantage to the Aeroray’s low profile aerodynamic design is lower EPA’s.

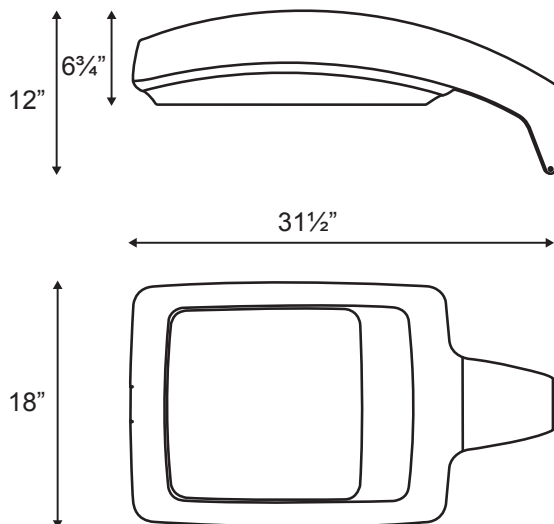


* The adjustable lamp socket can be positioned to achieve Type II, Type III and Type IV distribution without changing the reflector.

product code	description	voltage	max.current	lamp included	weight (≈)	EPA
metal halide						
AR40MHQ250L	250W MH	120/208/240/277	2.65/1.58/1.30/1.13	250W MH, MOGUL BASE, CLEAR, ANSI M58	58.6 lbs.	1.07
AR40MHE250L	250W MH	480	0.65	250W MH, MOGUL BASE, CLEAR, ANSI M58	60.0 lbs.	1.07
AR40MHQ400L	400W MH	120/208/240/277	3.94/2.2/1.93/1.69	400W MH, MOGUL BASE, CLEAR, ANSI M59	60.7 lbs.	1.07
AR40MHF400L	400W MH	120/208/240/277/480	2.5/1.5/1.25/1.1/1.65	400W MH, MOGUL BASE, CLEAR, ANSI M59	62.0 lbs.	1.07
pulse start metal halide						
AR40PQ320L	320W PS MH	120/208/240/277	3.75/2.15/1.85/1.60	320W MH, MOGUL BASE, CLEAR, ANSI M154	60.9 lbs.	1.07
high pressure sodium						
AR40HPQ250L	250W HPS	120/208/240/277	2.5/1.4/1.2/1.1	250W HPS, MOGUL BASE, CLEAR, ANSI S50	60.6 lbs.	1.07
AR40HPE250L	250W HPS	480	0.62	250W HPS, MOGUL BASE, CLEAR, ANSI S50	70.0 lbs.	1.07
AR40HPQ400L	400W HPS	120/208/240/277	3.8/2.2/1.8/1.6	400W HPS, MOGUL BASE, CLEAR, ANSI S51	64.9 lbs.	1.07
AR40HPE400L	400W HPS	480	1	400W HPS, MOGUL BASE, CLEAR, ANSI S51	66.3 lbs.	1.07



product code	description	EPA
accessories		
ARPCB	PHOTOCELL RECEPTACLE BRACKET	.017
AR40RP	ROUND POLE ADAPTER	.25
AR40WM	WALL MOUNT ADAPTER	.34



- Aluminium die-cast body
- Durable dark bronze finish
- Integrated mounting arm
- Mirror aluminium reflector
- Porcelain medium base lamp socket
- “Toolless” relamping feature
- Lamp included

features



The small angle light is a versatile, dual purpose, adjustable area light. The innovative design is not only aesthetically pleasing but it also has distinct advantages over standard area lighting fixtures. The lamp housing swivels from 0 to 30 degrees to allow precise aiming. By installing the lamp and the electrical gear in separate compartments the ballast operates at reduced temperatures resulting in longer life and higher efficiency.

Fixture can be used as a wall mounted luminaire using the standard wall mounting bracket included or pole mounted using the available mounting accessories on adjacent page.

product code	description	voltage	max.current	lamp included	weight (≈)
metal halide					
AN20MHQ100L	100W MH	120/208/240/277	2.4/1.45/1.2/1.0	100W MH, MEDIUM BASE, CLEAR, ANSI M90	23.5 lbs.
AN20MHQ150L	150W MH	120/208/240/277	3.32/1.93/1.66/1.48	150W MH, MEDIUM BASE, CLEAR, ANSI M102	25.3 lbs.
AN20MHQ175L	175W MH	120/208/240/277	1.95/1.15/ .98/ .85	175W MH, MEDIUM BASE, CLEAR, ANSI M57	23.5 lbs.
AN20MHF175L	175W MH	120/208/240/277/480	1.9/1.1/ .95/ .85/ .50	175W MH, MEDIUM BASE, CLEAR, ANSI M57	24.7 lbs.
high pressure sodium					
AN20HPQ100L	100W HPS	120/208/240/277	2.2/1.3/1.1/ .95	100W HPS, MEDIUM BASE, CLEAR, ANSI S54	24.6 lbs.
AN20HPQ150L	150W HPS	120/208/240/277	3.0/1.7/1.5/1.3	150W HPS, MEDIUM BASE, CLEAR, ANSI S55	26.0 lbs.
AN20HPE150L	150W HPS	480	0.72	150W HPS, MEDIUM BASE, CLEAR, ANSI S55	26.4 lbs.

Sample Part Code

AN20MHQ175L T5

1.

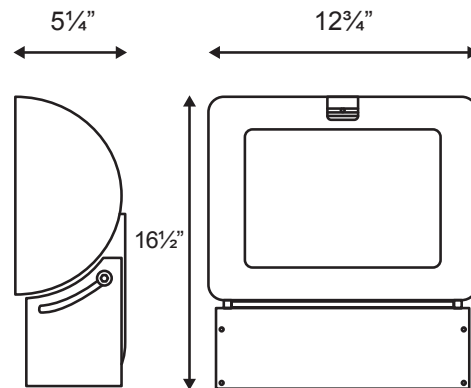
2.

Ordering Instructions:

1. Select part code from chart above.
2. Select desired optic from " Available Optics" chart on adjacent page.

features

- Die-cast housing with textured finish
- 0-30° adjustable lamp housing
- Integral ballast housing with access cover
- Hinged front frame with tempered glass lens
- "Toolless" relamping feature
- Porcelain medium base lamp socket
- High quality lamp included
- Wall mounting plate with leveling device included



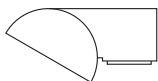
Available Optics

product code	description	part code adder
AN20REFSF	STANDARD FLOOD	SF
AN20REFT5	TYPE 5	T5
AN20REFCO	CUTOFF	CO
AN20REFFT	FORWARD THROW	FT

EPA rating

head tilted to 30°

.81



Available Mounting Accessories

product code	description	weight (≈)
AN20ARM1	1 LIGHT POLE MOUNT ARM, 2-3/8" TENON	6.62
AN20ARM2	2 LIGHT POLE MOUNT ARM, 2-3/8" TENONS	7.28
AN20ARM3	3 LIGHT POLE MOUNT ARM, 2-3/8" TENONS	7.94
AN20ARM4	4 LIGHT POLE MOUNT ARM, 2-3/8" TENONS	12.13
ANCAP	DECORATIVE CAP FOR ARMS	--

• Arms come complete with caps.



AN20ARM1



AN20ARM2



AN20ARM3



AN20ARM4



The large angle light is a versatile, dual purpose, adjustable area light. The innovative design is not only aesthetically pleasing but it also has distinct advantages over standard area lighting fixtures. The lamp housing swivels from 0 to 30 degrees to allow precise aiming. By installing the lamp and the electrical gear in separate compartments the ballast operates at reduced temperatures resulting in longer life and higher efficiency.

Fixture can be used as a wall mounted luminaire using the standard wall mounting bracket included or pole mounted using the available mounting accessories on adjacent page.

product code	description	voltage	max.current	lamp included	weight (≈)
metal halide					
AN40MHQ250L	250W MH	120/208/240/277	2.65/1.58/1.30/1.13	250W MH, MOGUL BASE, CLEAR, ANSI M58	38.4 lbs.
AN40MHE250L	250W MH	480	0.65	250W MH, MOGUL BASE, CLEAR, ANSI M58	38.6 lbs.
AN40MHQ400L	400W MH	120/208/240/277	3.94/2.2/1.93/1.69	400W MH, MOGUL BASE, CLEAR, ANSI M59	40.4 lbs.
AN40MHF400L	400W MH	120/208/240/277/480	2.5/1.5/1.25/1.1/65	400W MH, MOGUL BASE, CLEAR, ANSI M59	41.7 lbs.
AN40MHF1000L	1000W MH	120/208/240/277/480	9.1/5.0/4.6/4.0/2.3	1000WMH, MOGUL BASE, CLEAR, ANSI M141	51.4 lbs.
pulse start metal halide					
AN40PQ320L	320W PS MH	120/208/240/277	3.75/2.15/1.85/1.60	320W MH, MOGUL BASE, CLEAR, ANSI M154	40.7 lbs.
high pressure sodium					
AN40HPQ250L	250W HPS	120/208/240/277	2.5/1.4/1.2/1.1	250W HPS, MOGUL BASE, CLEAR, ANSI S50	40.8 lbs.
AN40HPE250L	250W HPS	480	0.62	250W HPS, MOGUL BASE, CLEAR, ANSI S50	41.2 lbs.
AN40HPQ400L	400W HPS	120/208/240/277	3.8/2.2/1.8/1.6	400W HPS, MOGUL BASE, CLEAR, ANSI S51	44.7 lbs.
AN40HPE400L	400W HPS	480	1	400W HPS, MOGUL BASE, CLEAR, ANSI S51	45.7 lbs.

Sample Part Code

AN40MHQ400L FT

Ordering Instructions:

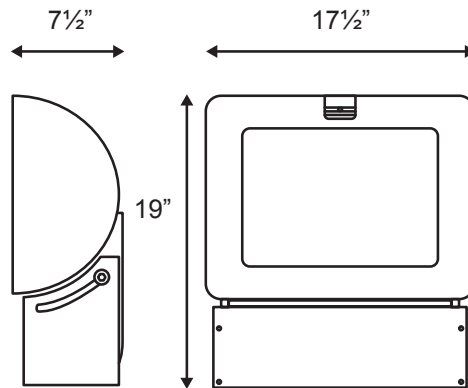
1. Select part code from chart above.
2. Select desired optic from "Available Optics" chart on adjacent page.

1.

2.

features

- Die-cast housing with textured finish
- 0-30° adjustable lamp housing
- Integral ballast housing with access cover
- Hinged front frame with tempered glass lens
- "Toolless" relamping feature
- Porcelain mogul base lamp socket
- High quality lamp included
- Wall mounting plate with leveling device included



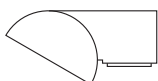
Available Optics

product code	description	part code adder
AN40REFT5	TYPE 5	T5
AN40REFCO	CUTOFF	CO
AN40REFFT	FORWARD THROW	FT

EPA rating

head tilted to 30°

1.03



Available Mounting Accessories

product code	description	weight (≈)
AN40ARM1	1 LIGHT POLE MOUNT ARM, 2-3/8" TENON	7.06
AN40ARM2	2 LIGHT POLE MOUNT ARM, 2-3/8" TENONS	9.93
AN40ARM3	3 LIGHT POLE MOUNT ARM, 2-3/8" TENONS	10.59
AN40ARM4	4 LIGHT POLE MOUNT ARM, 2-3/8" TENONS	19.19
ANCAP	DECORATIVE CAP FOR ARMS	--

* Arms come complete with caps.



AN40ARM1



AN40ARM2



AN40ARM3



AN40ARM4



The LL12 is a small but functional unit that is ideal for pole mounting when lighting small areas, roadways, or walkways when a lower wattage is required. A complete line of optics and mounting accessories are available.

For Ordering Instructions see adjacent page.

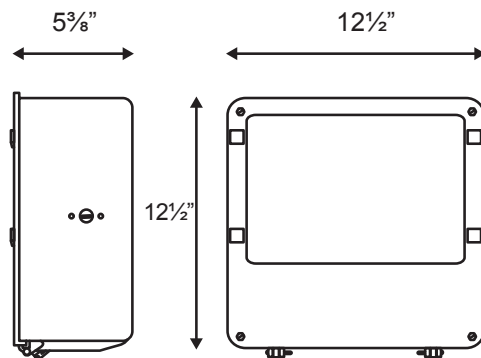
product code	description	voltage	max.current	lamp included	weight (≈)
metal halide					
LL12MHQ175L	175W MH	120/208/240/277	1.95/1.15/.98/.85	175W MH, MEDIUM BASE, CLEAR, ANSI M57	20.2 lbs.
LL12MHF175L	175W MH	120/208/240/277/480	1.9/1.1/.95/.85/.50	175W MH, MEDIUM BASE, CLEAR, ANSI M57	21.4 lbs.
high pressure sodium					
LL12HPQ150L	150W HPS	120/208/240/277	3.0/1.7/1.5/1.3	150W HPS, MEDIUM BASE, CLEAR, ANSI S55	22.7 lbs.
LL12HPE150L	150W HPS	480	0.72	150W HPS, MEDIUM BASE, CLEAR, ANSI S55	23.0 lbs.

0° angle	90° angle
EPA ratings	
.57	1.37



features

- Die-cast housing with pin type hinges
- Chromate conversion coating
- Textured bronze finish
- Tempered glass lens
- Aluminum reflector
- Porcelain lamp socket
- Lamp included



Ordering Instructions

1. Select part code from chart on adjacent page.
2. Select desired optic from "Optics" chart below.*
3. Select desired mounting from "Mounting" chart below.

Sample Part Code

LL12MHQ175L	F	S
1.	2.	3.

product code	description	part code adder
<i>optic*</i>		
LL12REFSS	STANDARD SMOOTH	S
LL12REFCO	CUTOFF	C
LL12REFFT	FORWARD THROW	F
<i>mounting</i>		
--	2-3/8" TENON MOUNT SWIVEL	S
--	EXTRUDED ALUMINUM ARM MOUNT	A

* If desired optic is not listed, consult factory for availability.

→ If arm mount option is selected, choose desired arm from the mounting accessory chart below and order separately.

Available Mounting Accessories

product code	description	see page #
<i>for specs see page listed in right column</i>		
LFSW	2-3/8" TENON MOUNT SWIVEL	36
LFBR	TRUNION MOUNT BRACKET	37
LLARM6STSP	6" STRAIGHT ARM FOR SQUARE POLE	36
LLARM10STSP	10" STRAIGHT ARM FOR SQUARE POLE	36
LLARM12STSP	12" STRAIGHT ARM FOR SQUARE POLE	36
LLARM6STRP	6" STRAIGHT ARM FOR ROUND POLE	36
LLARM10STRP	10" STRAIGHT ARM FOR ROUND POLE	36
LLARM12STRP	12" STRAIGHT ARM FOR ROUND POLE	36
LLRSR-B2-2DB	2 LIGHT INLINE SQUARE BRACKET, TWO 2-3/8" TENONS@36"	35
LLRSR-B3-2DB	3 LIGHT INLINE SQUARE BRACKET, THREE 2-3/8" TENONS@30"	35
LLRSR-B4-2DB	4 LIGHT INLINE SQUARE BRACKET, FOUR 2-3/8" TENONS@30"	35
LLRSR-T3-2DB	3 LIGHT SQUARE BRACKET, THREE 2-3/8" TENONS@120 DEGREES	35
LLRSR-T4-2DB	4 LIGHT SQUARE BRACKET, THREE 2-3/8" TENONS@90 DEGREES	35
LLS2-S36-2DB	2 LIGHT INLINE TUBULAR BRACKET, TWO 2-3/8" TENONS@36"	35
LLS3-S30-2DB	3 LIGHT INLINE TUBULAR BRACKET, THREE 2-3/8" TENONS@30"	35
LLS4-S30-2DB	4 LIGHT INLINE TUBULAR BRACKET, FOUR 2-3/8" TENONS@30"	35
LLS3-A24-2DB	3 LIGHT TUBULAR BRACKET, THREE 2-3/8" TENONS@120 DEGREES	35
LLS4-A24-2DB	4 LIGHT TUBULAR BRACKET, THREE 2-3/8" TENONS@90 DEGREES	35
LLSAB-DB	SIDE ANGLE WALL MOUNT BRACKET FOR TRUNION MOUNTING	37
LLRAB-DB	RIGHT ANGLE WALL MOUNT BRACKET FOR SLIP FITTER MOUNTING	37

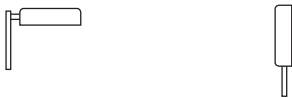


The LL16 is ideal for areas requiring wide coverage such as parking lots and roadways. It can be pole mounted using the optional extruded aluminum arms, or the 2-³/₈" tenon mount swivel. A complete line of optics and mounting accessories are available.

For Ordering Instructions see adjacent page.

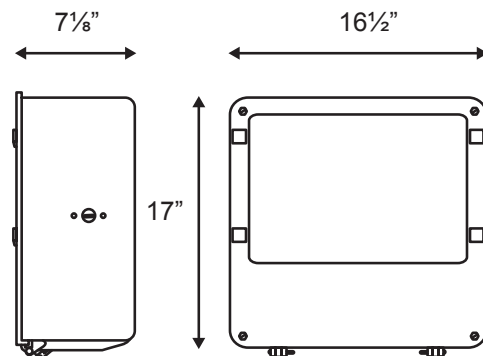
product code	description	voltage	max.current	lamp included	weight (≈)
metal halide					
LL16MHQ175L	175W MH	120/208/240/277	1.95/1.15/.98/.85	175W MH, MEDIUM BASE, CLEAR, ANSI M57	28.4 lbs.
LL16MHF175L	175W MH	120/208/240/277/480	1.9/1.1/.95/.85/.50	175W MH, MEDIUM BASE, CLEAR, ANSI M57	29.6 lbs.
LL16MHQ250L	250W MH	120/208/240/277	2.65/1.58/1.3/1.13	250W MH, MOGUL BASE, CLEAR, ANSI M58	30.1 lbs.
LL16MHE250L	250W MH	480	0.65	250W MH, MOGUL BASE, CLEAR, ANSI M58	30.2 lbs.
LL16MHQ400L	400W MH	120/208/240/277	3.94/2.2/1.93/1.69	400W MH, MOGUL BASE, CLEAR, ANSI M59	29.1 lbs.
LL16MHF400L	400W MH	120/208/240/277/480	2.5/1.5/1.25/1.1/.65	400W MH, MOGUL BASE, CLEAR, ANSI M59	30.4 lbs.
pulse start metal halide					
LL16PQ320L	320W PS MH	120/208/240/277	3.75/2.15/1.85/1.60	320W MH, MOGUL BASE, CLEAR, ANSI M154	33.5 lbs.
high pressure sodium					
LL16HPQ250L	250W HPS	120/208/240/277	2.5/1.4/1.2/1.1	250W HPS, MOGUL BASE, CLEAR, ANSI S50	29.5 lbs.
LL16HPE250L	250W HPS	480	0.62	250W HPS, MOGUL BASE, CLEAR, ANSI S50	29.8 lbs.
LL16HPQ400L	400W HPS	120/208/240/277	3.8/2.2/1.8/1.6	400W HPS, MOGUL BASE, CLEAR, ANSI S51	33.3 lbs.
LL16HPE400L	400W HPS	480	1	400W HPS, MOGUL BASE, CLEAR, ANSI S51	34.9 lbs.

0° angle	90° angle
EPA ratings	
.96	2.3



features

- Die-cast housing with pin type hinges
- Chromate conversion coating
- Textured bronze finish
- Tempered glass lens
- Aluminum reflector
- Porcelain lamp socket
- Lamp included



Ordering Instructions

1. Select part code from chart on adjacent page.
2. Select desired optic from "Optics" chart below.*
3. Select desired mounting from "Mounting" chart below.

Sample Part Code

LL16MHQ400L	F	S
1.	2.	3.

product code	description	part code adder
optic*		
LL16REFSS	STANDARD SMOOTH	S
LL16REFCO	CUTOFF	C
LL16REFFT	FORWARD THROW	F
mounting		
--	2-3/8" TENON MOUNT SWIVEL	S
--	EXTRUDED ALUMINUM ARM MOUNT	A

* If desired optic is not listed, consult factory for availability.

If arm mount option is selected, choose desired arm from the mounting accessory chart below and order separately.

Available Mounting Accessories

product code	description	see page #
for specs see page listed in right column		
LFSW	2-3/8" TENON MOUNT SWIVEL	36
LFBR	TRUNION MOUNT BRACKET	37
LLADJSW	ADJUSTABLE ARM WITH SIDE ACCESS COVERS FOR LL16 AND LL23	36
LLARM6STSP	6" STRAIGHT ARM FOR SQUARE POLE	36
LLARM10STSP	10" STRAIGHT ARM FOR SQAURE POLE	36
LLARM12STSP	12" STRAIGHT ARM FOR SQUARE POLE	36
LLARM6STRP	6" STRAIGHT ARM FOR ROUND POLE	36
LLARM10STRP	10" STRAIGHT ARM FOR ROUND POLE	36
LLARM12STRP	12" STRAIGHT ARM FOR ROUND POLE	36
LLRSR-B2-2DB	2 LIGHT INLINE SQUARE BRACKET, TWO 2-3/8" TENONS@36"	35
LLRSR-B3-2DB	3 LIGHT INLINE SQUARE BRACKET, THREE 2-3/8" TENONS@30"	35
LLRSR-B4-2DB	4 LIGHT INLINE SQUARE BRACKET, FOUR 2-3/8" TENONS@30"	35
LLRSR-T3-2DB	3 LIGHT SQUARE BRACKET, THREE 2-3/8" TENONS@120 DEGREES	35
LLRSR-T4-2DB	4 LIGHT SQUARE BRACKET, THREE 2-3/8" TENONS@90 DEGREES	35
LLS2-S36-2DB	2 LIGHT INLINE TUBULAR BRACKET, TWO 2-3/8" TENONS@36"	35
LLS3-S30-2DB	3 LIGHT INLINE TUBULAR BRACKET, THREE 2-3/8" TENONS@30"	35
LLS4-S30-2DB	4 LIGHT INLINE TUBULAR BRACKET, FOUR 2-3/8" TENONS@30"	35
LLS3-A24-2DB	3 LIGHT TUBULAR BRACKET, THREE 2-3/8" TENONS@120 DEGREES	35
LLS4-A24-2DB	4 LIGHT TUBULAR BRACKET, THREE 2-3/8" TENONS@90 DEGREES	35
LLSAB-DB	SIDE ANGLE WALL MOUNT BRACKET FOR TRUNION MOUNTING	37
LLRAB-DB	RIGHT ANGLE WALL MOUNT BRACKET FOR SLIP FITTER MOUNTING	37

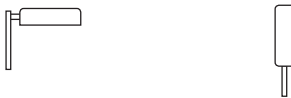


The LL23 is ideal for areas requiring wide coverage such as parking lots and roadways. It can be pole mounted using the optional extruded aluminum arms, or the 2-³/₈" tenon mount swivel. A complete line of optics and mounting accessories are available.

For Ordering Instructions see adjacent page.

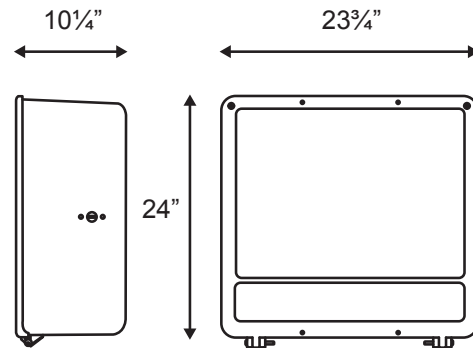
product code	description	voltage	max.current	lamp included	weight (≈)
metal halide					
LL23MHF1000L	1000W MH	120/208/240/277/480	9.1/5.0/4.6/4.0/2.3	1000W MH, MOGUL BASE, CLEAR, ANSI M47	63.7 lbs.
high pressure sodium					
LL23HPQ1000L	1000W HPS	120/208/240/277	9.5/5.5/4.8/4.2	1000W HPS, MOGUL BASE, CLEAR, ANSI S52	70.0 lbs.
LL23HPE1000L	1000W HPS	480	2.45	1000W HPS, MOGUL BASE, CLEAR, ANSI S52	69.9 lbs.

0° angle	90° angle
EPA ratings	
2.02	4.20



features

- Die-cast housing with pin type hinges
- Chromate conversion coating
- Textured bronze finish
- Tempered glass lens
- Aluminum reflector
- Porcelain lamp socket
- Lamp included



Ordering Instructions

1. Select part code from chart on adjacent page.
2. Select desired optic from "Optics" chart below.*
3. Select desired mounting from "Mounting" chart below.

Sample Part Code

LL23MHQ1000L **F** **S**

1. 2. 3.

product code	description	part code adder
optic*		
LL23REFSS	STANDARD SMOOTH	S
LL23REFCO	CUTOFF	C
LL23REFFT	FORWARD THROW	F
mounting		
--	2-3/8" TENON MOUNT SWIVEL	S
--	EXTRUDED ALUMINUM ARM MOUNT	A

* If desired optic is not listed, consult factory for availability.

If arm mount option is selected, choose desired arm from the mounting accessory chart below and order separately.

Available Mounting Accessories

product code	description	see page #
<i>for specs see page listed in right column</i>		
XLF SW	2-3/8" TENON MOUNT SWIVEL	36
XLF BR	TRUNION MOUNT BRACKET	37
LLADJSW	ADJUSTABLE ARM WITH SIDE ACCESS COVERS FOR LL16 AND LL23	36
LLARM6STSP	6" STRAIGHT ARM FOR SQUARE POLE	36
LLARM10STSP	10" STRAIGHT ARM FOR SQUARE POLE	36
LLARM12STSP	12" STRAIGHT ARM FOR SQUARE POLE	36
LLARM6STRP	6" STRAIGHT ARM FOR ROUND POLE	36
LLARM10STRP	10" STRAIGHT ARM FOR ROUND POLE	36
LLARM12STRP	12" STRAIGHT ARM FOR ROUND POLE	36
LLRSR-B2-2DB	2 LIGHT INLINE SQUARE BRACKET, TWO 2-3/8" TENONS@36"	35
LLRSR-B3-2DB	3 LIGHT INLINE SQUARE BRACKET, THREE 2-3/8" TENONS@30"	35
LLRSR-B4-2DB	4 LIGHT INLINE SQUARE BRACKET, FOUR 2-3/8" TENONS@30"	35
LLRSR-T3-2DB	3 LIGHT SQUARE BRACKET, THREE 2-3/8" TENONS@120 DEGREES	35
LLRSR-T4-2DB	4 LIGHT SQUARE BRACKET, THREE 2-3/8" TENONS@90 DEGREES	35
LLS2-S36-2DB	2 LIGHT INLINE TUBULAR BRACKET, TWO 2-3/8" TENONS@36"	35
LLS3-S30-2DB	3 LIGHT INLINE TUBULAR BRACKET, THREE 2-3/8" TENONS@30"	35
LLS4-S30-2DB	4 LIGHT INLINE TUBULAR BRACKET, FOUR 2-3/8" TENONS@30"	35
LLS3-A24-2DB	3 LIGHT TUBULAR BRACKET, THREE 2-3/8" TENONS@120 DEGREES	35
LLS4-A24-2DB	4 LIGHT TUBULAR BRACKET, THREE 2-3/8" TENONS@90 DEGREES	35
LLSAB-DB	SIDE ANGLE WALL MOUNT BRACKET FOR TRUNION MOUNTING	37
LLRAB-DB	RIGHT ANGLE WALL MOUNT BRACKET FOR SLIP FITTER MOUNTING	37

Our tenon mount system components are designed for fast easy installation of our standard parking lot fixtures on poles with a 2-3/8" tenon. When mounting our 12", 16", and 23" fixtures, attach the proper swivel type slip fitter and the fixture can be mounted directly to a 2-3/8" pole top tenon, or attach multiple fixtures utilizing one of the tenon mount brackets. The swivel type slip fitters are cast aluminum with stainless steel screws, and the tenon mount brackets and bull horns are of welded steel construction. Brackets come complete with end caps where required to give the installation that "finished" look. All components have a dark bronze finish to compliment our fixtures.

product code	description	weight (≈)	EPA rating	figure
<i>2-3/8" tenon mount spoke brackets available in 8" and 12" arm lengths</i>				
LLSB-100-08-2DB	1 LIGHT SPOKE BRACKET, 2-3/8" x 8" SPOKE	6 lbs.	.3	A
LLSB-100-12-2DB	1 LIGHT SPOKE BRACKET, 2-3/8" x 12" SPOKE	7 lbs.	.4	B
LLSB-218-08-2DB	2 LIGHT SPOKE BRACKET, 2-3/8" x 8" SPOKES@180 DEGREES	9 lbs.	.5	C
LLSB-218-12-2DB	2 LIGHT SPOKE BRACKET, 2-3/8" x 12" SPOKES@180 DEGREES	11 lbs.	.6	D
LLSB-312-08-2DB	3 LIGHT SPOKE BRACKET, 2-3/8" x 8" SPOKES@120 DEGREES	11 lbs.	.6	E
LLSB-312-12-2DB	3 LIGHT SPOKE BRACKET, 2-3/8" x 12" SPOKES@120 DEGREES	15 lbs.	.7	F
LLSB-490-08-2DB	4 LIGHT SPOKE BRACKET, 2-3/8" x 8" SPOKES@90 DEGREES	13 lbs.	.8	G
LLSB-490-12-2DB	4 LIGHT SPOKE BRACKET, 2-3/8" x 12" SPOKES@90 DEGREES	17 lbs.	.9	H
LLSB-290-08-2DB	2 LIGHT SPOKE BRACKET, 2-3/8" x 8" SPOKES@90 DEGREES	9 lbs.	.4	I
LLSB-290-12-2DB	2 LIGHT SPOKE BRACKET, 2-3/8" x 12" SPOKES@90 DEGREES	11 lbs.	.5	J
LLSB-390-08-2DB	3 LIGHT SPOKE BRACKET, 2-3/8" x 8" SPOKES@90 DEGREES	11 lbs.	.5	K
LLSB-390-12-2DB	3 LIGHT SPOKE BRACKET, 2-3/8" x 12" SPOKES@90 DEGREES	15 lbs.	.6	L

spoke bracket-one arm
A,B



spoke bracket-two arm 180°
C,D



spoke bracket-three arm 120°
E,F



spoke bracket-four arm 90°
G,H



spoke bracket-two arm 90°
I,J



spoke bracket-three arm 90°
K,L



product code	description	weight (≈)	EPA rating	figure
2-3/8" tenon mounting brackets				
LLRSR-B2-2DB	2 LIGHT INLINE SQUARE BRACKET, TWO 2-3/8" TENONS@36°	20 lbs.	1.7	A
LLRSR-B3-2DB	3 LIGHT INLINE SQUARE BRACKET, THREE 2-3/8" TENONS@30°	31 lbs.	2.7	B
LLRSR-B4-2DB	4 LIGHT INLINE SQUARE BRACKET, FOUR 2-3/8" TENONS@30°	44 lbs.	3.9	C
LLRSR-T3-2DB	3 LIGHT SQUARE BRACKET, THREE 2-3/8" TENONS@120 DEGREES	39 lbs.	2.2	D
LLRSR-T4-2DB	4 LIGHT SQUARE BRACKET, THREE 2-3/8" TENONS@90 DEGREES	48 lbs.	4	E
LLS2-S36-2DB	2 LIGHT INLINE TUBULAR BRACKET, TWO 2-3/8" TENONS@36°	20 lbs.	1.1	F
LLS3-S30-2DB	3 LIGHT INLINE TUBULAR BRACKET, THREE 2-3/8" TENONS@30°	31 lbs.	1.8	G
LLS4-S30-2DB	4 LIGHT INLINE TUBULAR BRACKET, FOUR 2-3/8" TENONS@30°	44 lbs.	2.5	H
LLS3-A24-2DB	3 LIGHT TUBULAR BRACKET, THREE 2-3/8" TENONS@120 DEGREES	33 lbs.	1.9	I
LLS4-A24-2DB	4 LIGHT TUBULAR BRACKET, THREE 2-3/8" TENONS@90 DEGREES	43 lbs.	2.5	J

A. 2 light inline square bracket



F. 2 light inline tubular bracket



B. 3 light inline square bracket



G. 3 light inline tubular bracket



C. 4 light inline square bracket



H. 4 light inline tubular bracket



D. 3 light square bracket 120°



I. 3 light tubular bracket 120°



E. 4 light square bracket 90°



J. 4 light tubular bracket 90°



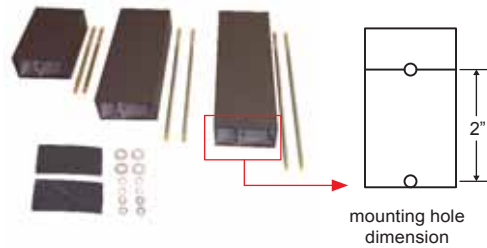
Our extruded aluminum mounting arms have a textured bronze finish and come complete with gasket and mounting hardware. Arms are available in 6", 10", and 12" lengths for both square and round poles.

product code	description	weight (≈)	EPA rating
aluminum arm mounting components (for drilled poles)			
LLADJSW	ADJUSTABLE ARM WITH SIDE ACCESS COVERS FOR LL16 & LL23	4.10 lbs.	.06
LLARM6STSP	6" STRAIGHT ARM FOR SQUARE POLE	1.72 lbs.	.06
LLARM10STSP	10" STRAIGHT ARM FOR SQUARE POLE	2.65 lbs.	.06
LLARM12STSP	12" STRAIGHT ARM FOR SQUARE POLE	3.09 lbs.	.06
LLARM6STRP	6" STRAIGHT ARM FOR ROUND POLE	1.72 lbs.	.06
LLARM10STRP	10" STRAIGHT ARM FOR ROUND POLE	2.65 lbs.	.06
LLARM12STRP	12" STRAIGHT ARM FOR ROUND POLE	3.09 lbs.	.06

LLADJSW



LLARM



product code	description	use with fixture(s)	weight (≈)	EPA rating
2-3/8" tenon mount swivels				
LFSW	2-3/8" TENON MOUNT SWIVEL	LL12, LL16	.15 lbs.	2.21
XLF SW	2-3/8" TENON MOUNT SWIVEL	LL23	.21 lbs.	4.19



LFSW

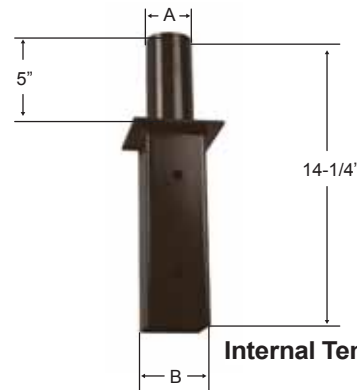


XLF SW

product code	description	A	B	weight (≈)
pole top adapters				
LLTR-30-2DB	EXTERNAL TENON REDUCER/ROUND POLES	2-3/8"	3-1/4" FOR 3" O.D. POLE TOP	9 lbs.
LLTR-35-2DB	EXTERNAL TENON REDUCER/ROUND POLES	2-3/8"	3-13/16" FOR 3-1/2" O.D. POLE TOP	10 lbs.
LLTR-40-2DB	EXTERNAL TENON REDUCER/ROUND POLES	2-3/8"	4-1/4" FOR 4" O.D. POLE TOP	9 lbs.
LLRTASQ-4-2DB	INTERNAL TENON REDUCER/SQUARE POLES	2-3/8"	3"	7 lbs.
LLRTASQ-5-2DB	INTERNAL TENON REDUCER/SQUARE POLES	2-3/8"	4"	9 lbs.
LLRTASQ-6-2DB	INTERNAL TENON REDUCER/SQUARE POLES	2-3/8"	5"	14 lbs.



External Tenon Reducer

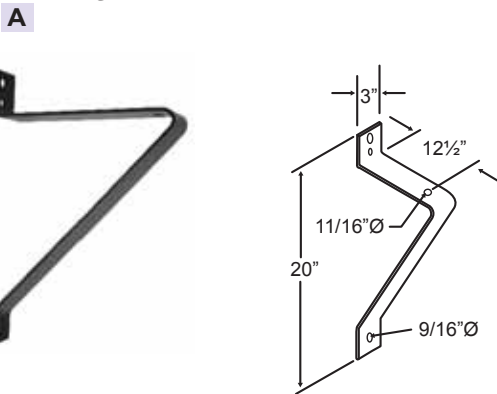


Internal Tenon Adapter

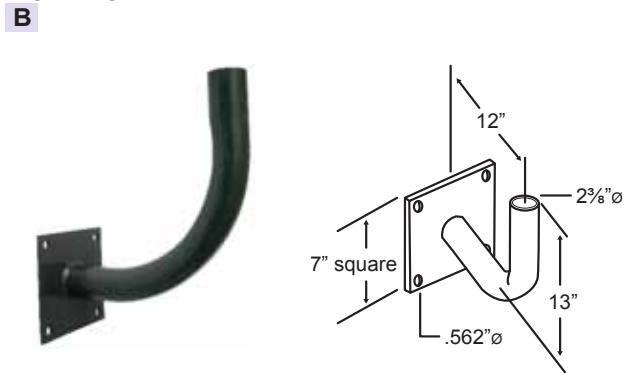
Our wall mounting brackets and components are ideal for installations where a building façade can be utilized for mounting of area lighting fixtures, eliminating the expense of additional poles. These brackets are heavy duty steel construction and compliment our fixtures with a matching dark bronze finish.

product code	description	weight (≈)	EPA rating	figure
<i>2-3/8" tenon mount spoke brackets available in 8" and 12" arm lengths</i>				
LLSAB-DB	SIDE ANGLE WALL MOUNT BRACKET FOR TRUNION MOUNTING	9 lbs.	0.1	A
LLRAB-DB	RIGHT ANGLE WALL MOUNT BRACKET FOR SLIP FITTER MOUNTING	9 lbs.	0.4	B
LLP200S016CW	CROSS ARM BRACKET FOR SLIP FITTER MOUNTING	13 lbs.	0.6	C
LFBR	LL12 AND LL16 TRUNION MOUNT BRACKET	-	-	D
XLFBR	LL23 TRUNION MOUNT BRACKET	-	-	E

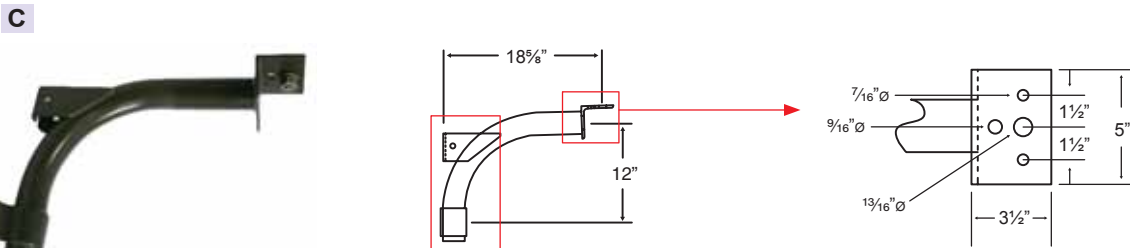
side angle wall mount bracket



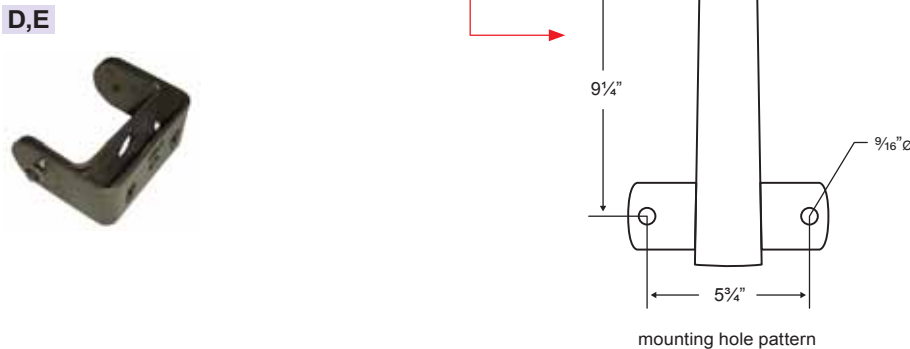
right angle wall mount bracket



cross arm bracket



16" & 23" trunion mount bracket



2-3/8" tenon For tenon mount accessory brackets, see pages 34 and 35.

4"

product code	nominal mtg. height (ft.)	shaft length (ft.)	weight of pole (lbs.)	tip O.D. (in.)	butt O.D. (in.)	maximum EPA per luminaire			
						80 mph	90 mph	100 mph	120 mph

50# vertical load

F12D1R2T1	12	15.00	40	3.00	6.25	5.5	4.0	3.3	3.3
F16D1R2T1	16	19.75	53	3.00	7.27	5.5	4.0	3.3	3.3
F20D1R2T1	20	24.00	67	3.00	8.18	5.5	4.2	3.3	3.3
F25D1R2T1	25	29.58	92	3.70	10.09	5.5	4.2	3.3	3.3
F30D1R2T1	30	35.00	119	3.70	11.26	5.5	4.3	3.3	3.3

100# vertical load

F16D1R3T1	16	19.75	53	4.41	8.68	6.5	5.0	3.5	3.5
F20D1R3T1	20	24.00	67	4.41	9.59	6.5	5.0	3.5	3.5
F25D1R3T1	25	29.58	97	4.41	10.80	6.5	5.0	3.5	3.5
F30D1R3T1	30	35.00	122	4.41	11.97	6.0	4.5	3.5	3.5

200# vertical load

F20D1R4T1	20	24.00	88	4.41	9.59	8.5	7.5	6.0	6.0
F25D1R4T1	25	29.58	106	4.41	10.80	7.5	6.0	5.0	5.0
F30D1R4T1	30	35.00	147	4.41	11.97	8.0	6.0	4.5	4.5

2-1/2" x 5" handhole with door

12"

18"

2-3/8" cable access holes
2 at 180°

Not all poles listed are stock items. Consult factory for current pricing, availability, and lead time.

- Standard features are as shown on drawing.
- Total EPA's of fixture(s) and bracket(s) should not exceed applicable EPA loads shown above.
- Total weight of fixture(s) and bracket(s) should not exceed applicable vertical load shown above.
- Tenon-mounted side arm brackets should only be used if they are double, triple, or quad arrangements, and only if they are symmetrical.

* Designers and installers are advised to consult an engineer to determine suitable EPA requirements for every installation, as soil conditions can vary widely within an area.
* Certified wind calculation documents available. Consult factory for availability and price.

150 mph composite poles ■□ parking lot



For tenon mount accessory brackets, see pages 34 and 35

product code	nominal mtg. height (ft.)	shaft length (ft.)	weight of pole (lbs.)	tip O.D. (in.)	butt O.D. (in.)	maximum EPA per luminaire	
						140 mph	150 mph

50# vertical load

F161R2T1X	16	22.00	74.00	3.00	7.75	3.3	2.7
-----------	----	-------	-------	------	------	-----	-----

100# vertical load

F15D1R3T1X	15	21.00	73.00	2.80	7.34	3.6	3.1
F20D1R3T1X	20	26.00	95.00	4.41	10.03	3.3	2.8
F20D1R3T1XHD	20	26.00	117.00	5.12	10.74	6.3	5.3
F25D1R3T1X	25	32.00	142.00	5.12	12.03	4.6	3.6
F25D1R3T1XHD	25	33.00	191.00	5.83	12.96	9.0	6.0
F30D1R3T1X	30	37.00	193.00	5.12	13.11	5.5	4.3

200# vertical load

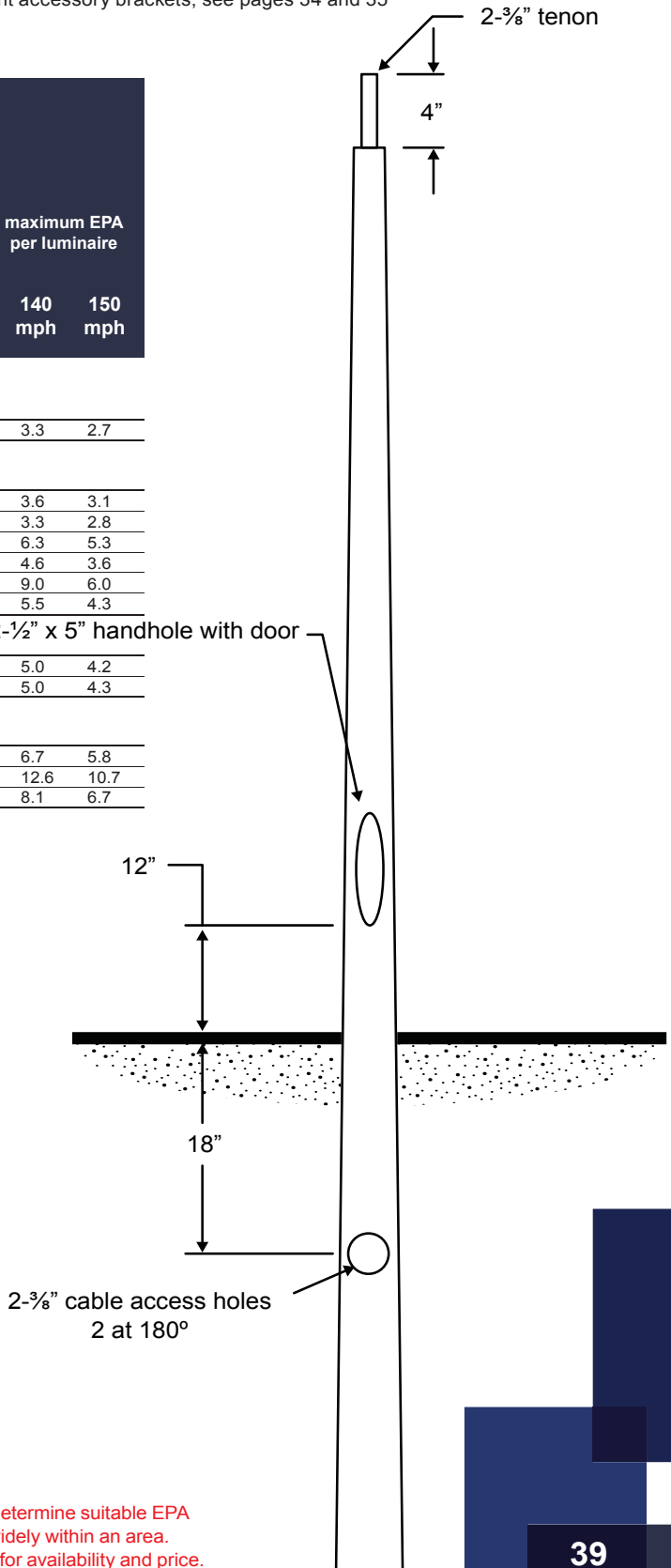
F20D1R4T1X	20	27.00	124.00	4.41	10.25	5.0	4.2
F25D1R4T1X	25	32.00	164.00	4.41	11.32	5.0	4.3

300# vertical load

F20D1R5T1X	20	27.00	138.00	4.41	10.24	6.7	5.8
F20D1R5T1XHD	20	27.00	178.00	6.54	12.37	12.6	10.7
F25D1R5T1X	25	33.00	212.00	5.12	12.25	8.1	6.7

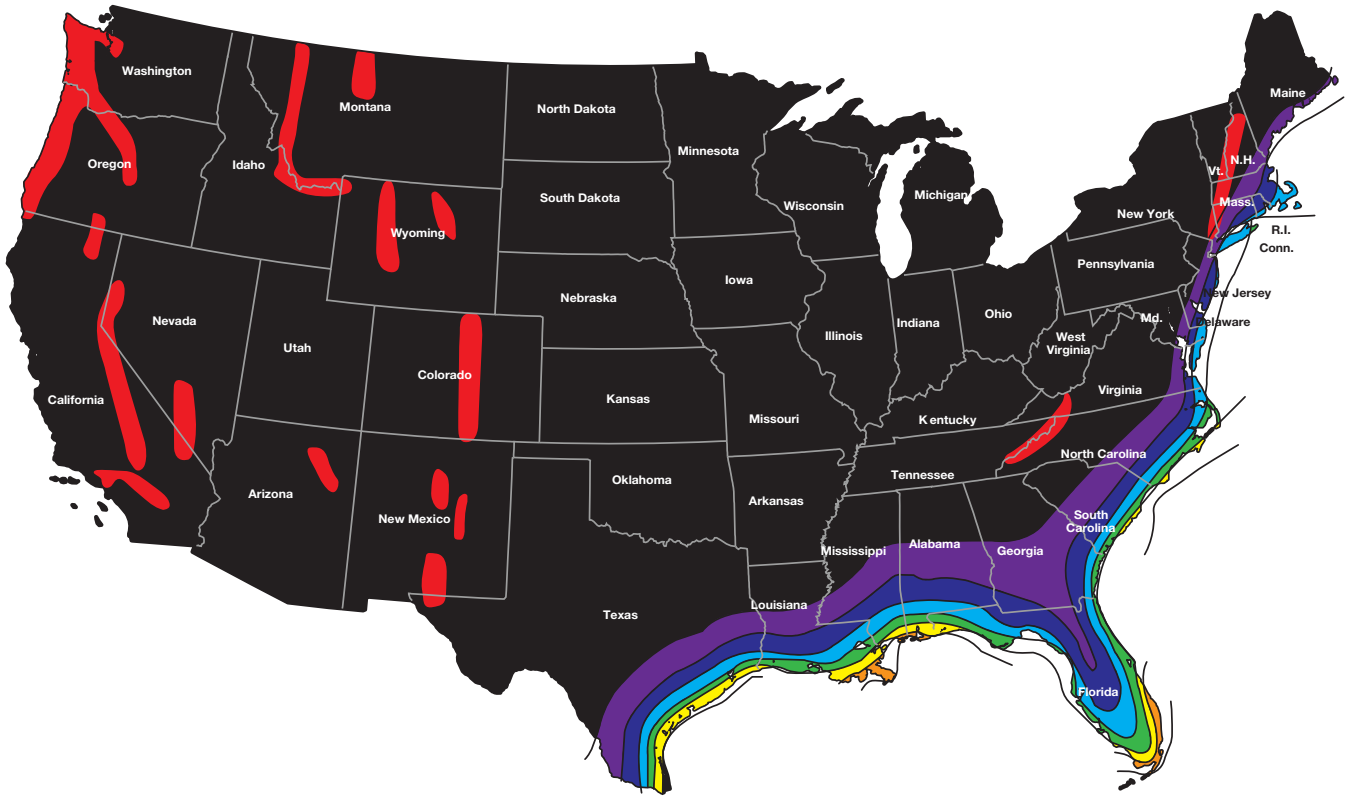
Not all poles listed are stock items. Consult factory for current pricing, availability, and lead time.

- Standard features are as shown on drawing.
- Total EPA's of fixture(s) and bracket(s) should not exceed applicable EPA loads shown above.
- Total weight of fixture(s) and bracket(s) should not exceed applicable vertical load shown above.
- Tenon-mounted side arm brackets should only be used if they are double, triple, or quad arrangements, and only if they are symmetrical.

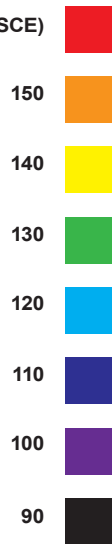


* Designers and installers are advised to consult an engineer to determine suitable EPA requirements for every installation, as soil conditions can vary widely within an area.
 * Certified wind calculation documents available. Consult factory for availability and price.

This map is provided to assist you in selecting a pole for your general location. With this information you can better select the proper wind rating to meet the requirements of your general geographic location. However, it may be necessary to consult local codes or requirements as they may vary within these regions.



special wind region (per ASCE)



40

t: 772.878.4944
www.tamliteusa.com

IT MUST BE UNDERSTOOD THAT THE INFORMATION CONTAINED BELOW IS TO BE USED AS GENERAL GUIDELINES ONLY. TAMLITE ASSUMES NO RESPONSIBILITY FOR APPLICATION DESIGN. IT IS RECOMMENDED THAT QUALIFIED PROFESSIONAL DESIGN PERSONNEL ARE CONSULTED TO VERIFY THE PROPER SELECTION OF ALL COMPONENTS TO BE USED IN EACH APPLICATION.

selection criteria

There are two basic criteria to be considered when selecting a lighting pole. First, the pole must be able to support the total weight of the selected luminaire(s), accessory mounting brackets, and components. This is expressed in the pole data tables as “vertical load rating”. Second, when the pole is outfitted with all of the selected components, it has to be able to withstand the effects of the maximum wind velocities it will be subjected to. This is expressed in the pole data tables as “EPA ratings”. The weights and EPA’s of luminaires, mounting brackets, and accessories are specified in the data tables throughout the catalog for each product. The total weights as well as the total EPA’s for all of the components selected for pole mounting must be calculated before selecting a pole.

what is EPA

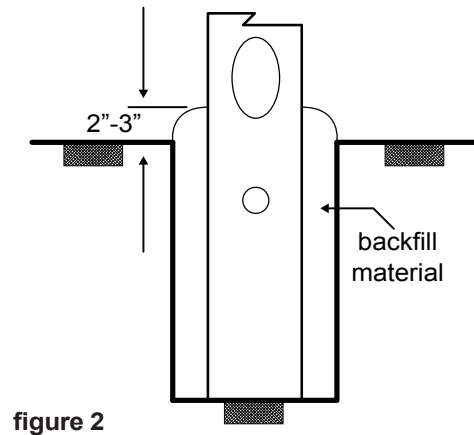
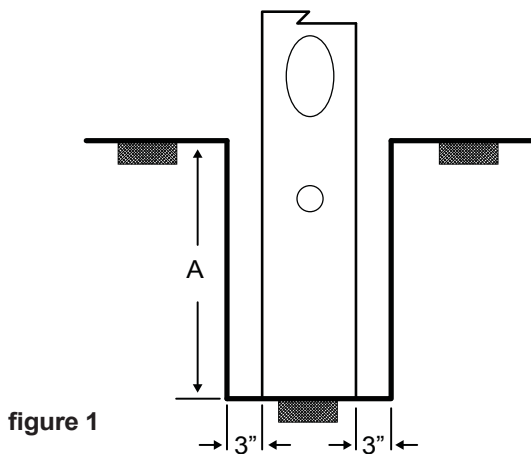
Effective Projected Area (EPA) is the product of the actual projected area (calculated in square feet) times the coefficient of drag times the velocity pressure of the wind. When mounting a luminaire the center of gravity of the fixture should be no more than 18 inches above the top of the pole.

pole selection

1. Select the luminaire(s) and mounting components desired to be mounted on each pole.
2. Find the weight(s) and EPA(s) for each of the components from the data tables listed for each product throughout the catalog.
3. Consult the wind velocity map for the general geographic location for the installation of the pole to determine the minimum pole wind rating required. It is also recommended that local codes be adhered to when selecting the proper wind rated pole as different jurisdictions may have specific requirements.
4. After calculating the total weights of the luminaire(s) and mounting components for each pole, refer to the section of the pole data table designated with the proper vertical load rating.
5. Select the pole with the desired nominal mounting height.
6. Under the heading labeled “Maximum EPA” find the appropriate wind rating determined from step 3 above and read down the column to find the maximum EPA for the pole you selected. Make sure the total EPA’s of the equipment you selected to mount on this pole do not exceed this value.

Suggested Installation Procedures for Direct Burial Composite Poles

1. Auger a hole that is a minimum of six (6) inches wider than the butt of the pole.
2. For hole depth "A" subtract "nominal mounting height" from total "shaft length", found on pages 38 and 39.
3. Remove the protective wrapping from the pole and place the butt end of the pole into the center of the hole (figure 1).
As the pole is being lowered into the hole, be sure to feed the underground wire through the cable entrance holes toward the handhole.
4. While the pole is sitting on the bottom of the hole, continue to hold the pole upright.
5. The hole may now be backfilled with several types of material depending upon the following soil conditions:
 - a. Poor soil - If the area is sandy or often retains water, a crushed aggregate material or concrete may need to be used as a backfill.
 - b. Good soil - If the soil is firm and does not retain water, the soil removed while augering the hole can be used as a backfill.
6. Continue to place the backfill into the hole and tamp every 4-6 inches. The pole should be plumbed two to three times before the backfill is level with the ground line.
7. Place and tamp an additional 2 to 3 inches of backfill above the ground line (figure 2).
8. All wiring connections can now be made at the handhole which will be approximately 12-18 inches above ground line.

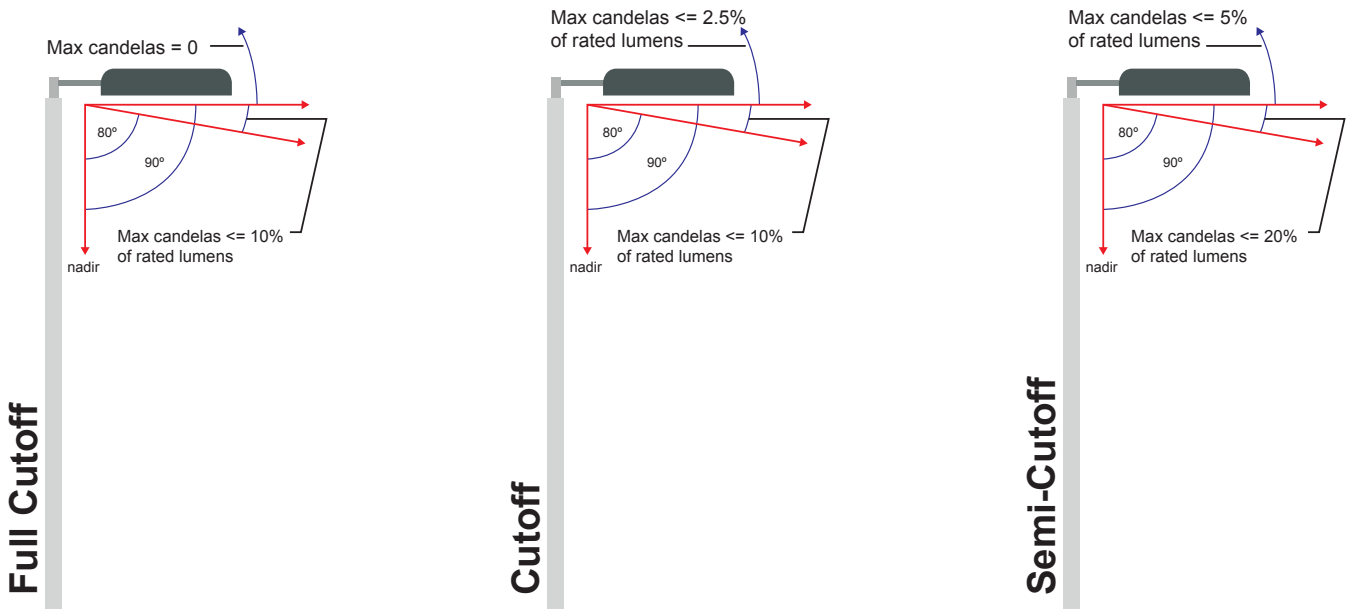


Cutoff Classifications

The four classifications of cutoff are Full cutoff (FC), Cutoff (CO), Semi-cutoff (SC) and Non-cutoff (NC). Light intensity limits for FC are the most stringent, followed by CO and then SC. The NC classification has no limits.

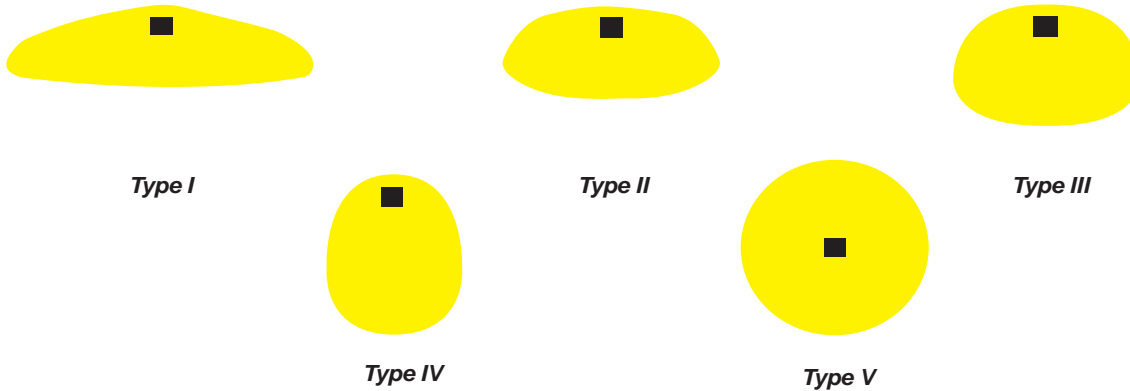
The limits of light intensity for each classification illustrated below is measured in candelas and must not exceed the value designated for two regions around the luminaire. The two regions are from 80 to 90 degrees, and another at or above 90 degrees.

The maximum allowable light intensity in these two regions is based on a percentage of the rated lumens of the lamp being used.



photometric patterns

Luminaires project light in different photometric “patterns” that are identified as “Types” (i.e. Type I, Type II, Type III, etc.) as shown on the diagram below.



A narrow roadway may use a Type I or Type II whereas a luminaire in the middle of a parking lot may require a Type V. Type III or Type IV are more useful when trying to project more light forward from the location of the luminaire.

floodlight guidelines

luminaire setback from target area:

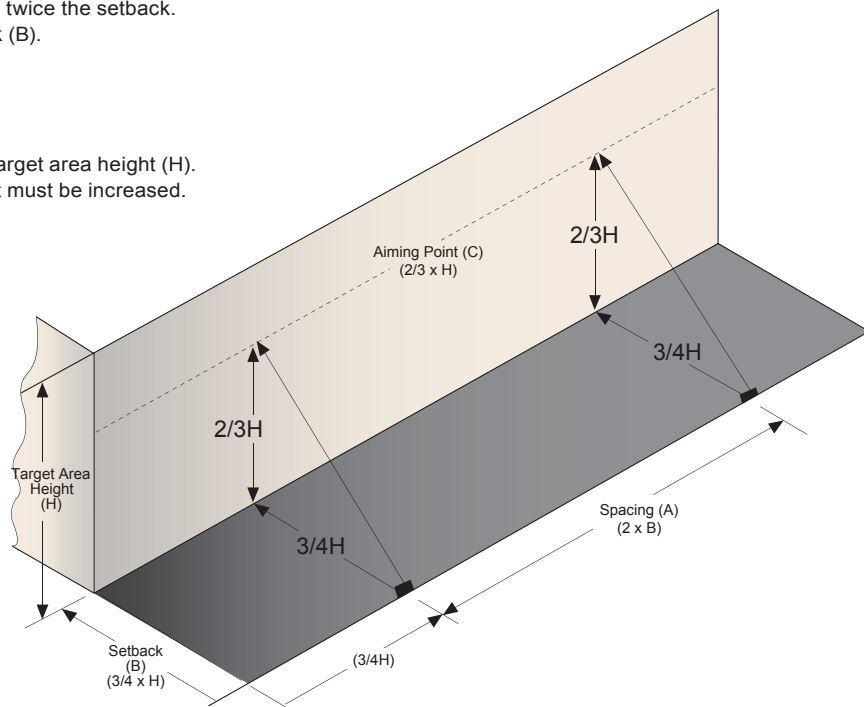
$\frac{3}{4}$ of the target area height (H). If the setback is less, uniformity will be lost. If the setback is greater, lighting efficiency will be reduced.

luminaire spacing:

For uniform lighting the spacing should not exceed twice the setback. Spacing (A) should not exceed 2 times the setback (B).

ground mounted aiming:

The aiming point (C) should be at least $\frac{2}{3}$ of the target area height (H). If the setback is less, the height of the aiming point must be increased.



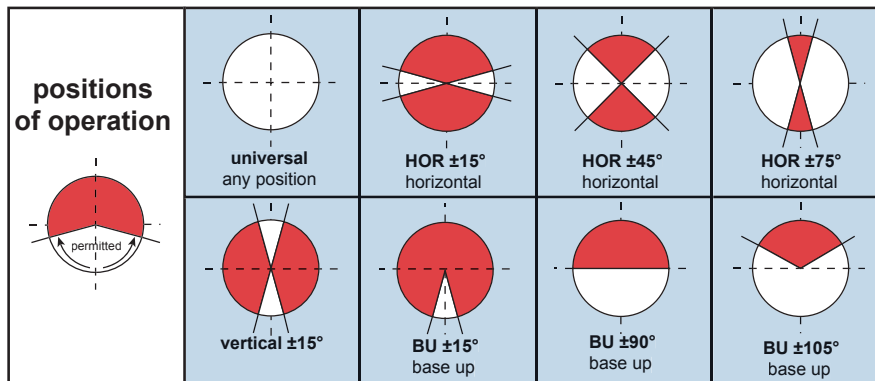
HID fixture operations & warnings

Electrical components of high intensity discharge (HID) fixtures include ballasts, capacitors, igniters and lamps. These components must meet all electrical specifications outlined by the American National Standards Institute (ANSI). Power should always be turned off and preferably locked out in accordance with OSHA guidelines whenever installation, removal or maintenance is performed. Safety glasses and gloves should be used when installing or removing HID lamps. Lamps should be installed firmly into appropriate lamp sockets, without over tightening, to avoid loosening from vibration.

HID lamps and arc tubes operate at extremely high temperatures and may shatter as a result of misapplication, system failure or other factors. Scratches on the outer bulb, direct contact with water or excessive installation pressure can also cause the lamps to break. Breakage may release extremely hot glass and lamp parts into the surrounding environment and raise the risk of fire, personal injury or property damage. Injury may also be caused by ultraviolet energy from an unjacketed HID lamp. If the outer jacket should break, immediately turn the power off. Do not remove a lamp until it has completely cooled; then replace it with a new lamp. In areas susceptible to contamination by flying glass, where flammable materials are present or where there is a possibility of personal injury, users should seek additional protective measures by using open fixture (Type-O) lamps and enclosed luminaires.

fixture orientation & lamp operating positions

It is imperative that users adhere to proper fixture orientation and lamp operating positions and requirements during installation and relamping. The operation of lamps in positions other than those specified by the manufacturer can result in severe reductions in lamp performance, including lamp life, light output and color. Incorrect operating positions can also create the possibility of an early failure.



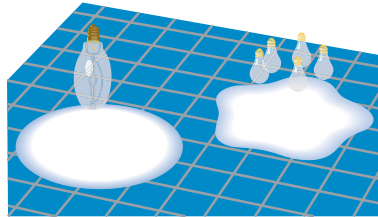
starting & restarting characteristics

Probe start metal halide lamps will start at an ambient temperature of -30°C (-22°F) or higher. Full light output does not occur immediately when power is applied to any metal halide lamp; there is a time delay of at least three to six minutes after starting before lamps reach full light output. After lamps have started, a power interruption of 1/4 cycle (1/240th of a second) or more may cause the lamps to extinguish. Several minutes are required before an arc can be re-established by the ballast and full light output achieved. The exact time is dependent on a number of factors including lamp wattage, ballast and igniter characteristics, ambient temperature, fixture dimensions and supply voltage. The time needed to establish full light output can be as short as 3 minutes and as long as 15 to 20 minutes.

Today, with numerous types of light sources available it can be difficult to choose the right one for your application. While some applications may require a specific light source, metal halide lighting is often overlooked as a viable alternative.

mh vs. incandescent

A 100 watt metal halide lamp provides five times the lumen output of a 100 watt incandescent lamp, and will last 20 times longer. Although incandescent has a low initial lamp cost, metal halide has a lower total operating cost life.



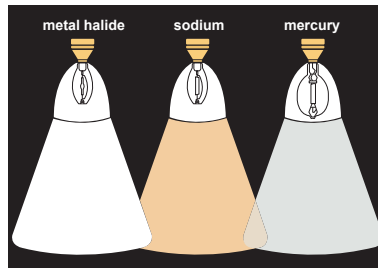
Five times more efficient than incandescent

mh vs. fluorescent

Fluorescent lamps are difficult to direct because of their larger size. One 100 watt metal halide lamp produces the same light as three 48" high output T8 fluorescent lamps. Metal halide lamps also tolerate a wider operating temperature range. Fluorescents are often limited to temperature controlled indoor applications: T8 fluorescent lamps perform optimally at approximately 77°F (25°C), degrading measurably as temperature varies. T5 lamps perform similarly, but peak at 95°F (35°C).

mh vs. mercury vapor

Mercury vapor lamps have long life, but are not as energy efficient as metal halide, producing only 35-58 lumens per watt. Their limited blue-green light spectrum has a lower CRI than metal halide.



Metal halide generates light closer to sunlight than any other HID light source.

mh vs. hps

While HPS lamps offer long life, they do not deliver the same light quality as metal halide. Because of their dominant sodium content, HPS lamps yield strong yellow light (2200K) and have a very poor CRI of 20-25. The full spectrum light of metal halide lamps has a much higher CRI.

long life

Metal halide lamps have an average of 15,000-20,000++ hours, more than ten times that of incandescent lamps.

better light quality

The output of metal halide lamps is closer to natural sunlight than most other light sources. People prefer white light because of better visual acuity, even at lower light levels.

excellent color rendering

Metal halide lamps offer excellent color rendering, with a 65-90+ CRI (color rendering index).

compact size

Metal halide lamps generate high light levels from a compact light source. This allows for smaller, more controllable luminaires.

versatility

Metal halide lamps are relatively unaffected by ambient temperature and are equally suited for indoor or outdoor use. Extensive style and wattage options allow for many applications.

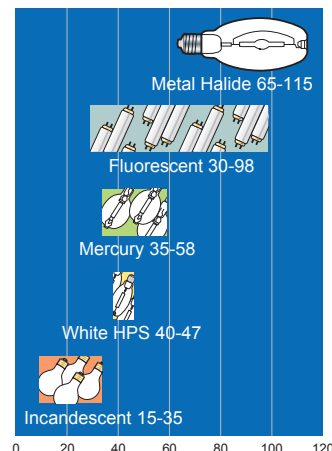
high efficiency

Metal halide lamps generate 65-115 lumens per watt, more than incandescent, fluorescent or mercury vapor lamps. (see Lumens Per Watt chart)

wider range of applications

Specifiers can now select from a broad variety of lamp types and wattages to suit almost any application. Metal halide lighting is used today indoors and out, for industrial, commercial, retail and municipal spaces. Popular for sport facilities, and site lighting, it is increasingly found in supermarkets, big box retail, offices and lobbies.

lumens per watt white light sources



about our fixture testing

Before assembly begins, all of the capacitors used in our ballast kits and fixtures are bench tested to confirm their microfarad rating. Following assembly each and every ballast kit undergoes a live function test using a test lamp to ensure proper operation. Every fixture manufactured is subjected to four electrical tests including ground continuity, current leakage to ground, insulation withstand (hi-pot), and a function test to ensure the lamp will strike. These tests are important not only for quality and reliability, but to ensure the customer is receiving a safe product.



about our fixtures

All of our aluminum die cast bodies are molded from aluminum ingot, not recycled metals, like some of our other competitors.

What does this mean to you? To begin with, our housings contain more material than many of our competitors. This means the fixture is sturdier, which is an important consideration when mounted and wired. Even more importantly, this means our fixture will dissipate heat more efficiently which results in lower operating temperature. All of our external screws are stainless steel rather than cadmium plated, making them rust resistant and durable. Our gaskets are silicone, which means they won't burn like other materials will. Our molded borosilicate glass lenses on our wall packs are manufactured for superior thermal shock resistance and clarity.

Following the die cast process our fixtures have a chromate conversion coating applied to them. Chromate conversion is a nine-stage chemical treatment process for aluminum that provides protection from corrosion and enhances the ability of paint to "bond" with the aluminum.

benefits

- improved corrosion resistance
- excellent bonding surface for paint
- prolongs life for finish
- prolongs life of fixture

Following this process a baked on textured bronze powder coat layer is applied providing an attractive long lasting durable finish.

warranty

Tamlite Lighting is proud of the products we manufacture and warrants all HID products to be free from defects in manufacturing under normal installation, storage and use for a period of (1) year from date of purchase. Our merchandise is carefully packed and electrically tested before leaving our factory. The carrier upon acceptance of the shipment assumes the responsibility for its safe delivery. Any claims for loss or damage sustained in transit must therefore be made upon carrier. Any external evidence of loss or damage must be noted on the freight bill or express invoice and signed by the carrier's agent. Failure to adequately describe such external evidence of loss or damage may result in the carriers refusing to honor a damage claim. The Carrier will supply the form required to file such a claim. Concealed loss or damage means that which does not become apparent until the merchandise has been unpacked. The contents may be damaged in transit due to rough handling even though the carton may not show external damages. When the damage is uncovered during unpacking, make a written request for inspection within 15 days of the delivery date. It is the customers responsibility to file a claim with the carrier. Claims for defective ballasts found to be in warranty should be made directly with the ballast manufacturer. Our warranty liability extends to credit of said fixture only after Tamlite Lighting has given written authorization and the material has been returned, tested and proven defective by faulty manufacturing. We will not be held responsible for labor, material, or any other charges that do not have our written consent before such work is implemented. The warranty is void if the product is not stored, installed, and operated in accordance with NEC, UL, ANSI, and all other local and state codes. Warranty excludes products not manufactured by Tamlite, which have been installed and used in conjunction with Tamlite Lighting products. Tamlite assumes no responsibility for failures caused by existing sub-standard wiring or voltages. Warranties set forth herein are in lieu of any and all other warranties. In no event is Tamlite liable for special, indirect, incidental or consequential damages of any kind.

disclaimer

All specifications contained in this catalog are subject to change, with or without notice. All data is typical and for guidance only. Product illustrations and dimensions are typical and may change without notice. Please verify all specifications when you place your order.

All electrical wiring and installation of lighting fixtures should be done by a qualified electrician. Tamlite takes no responsibility for products installed by anyone other than a licensed electrician and does not warrant products installed by anyone else.

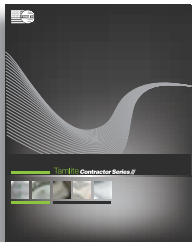
area lighting part codes



general lighting catalog



bay lighting catalog



contractor series catalog

BHPQ100L5D43BL	20	IFBNARROW	11	LFMHE250LSW	13	RBFMHQ175L	5
BHPQ100LCD43BL	18	IFBWIDE	11	LFMHF1000L	15	RBFMHQ70L	5
BHPQ100LLD43BL	19	IFGS KIT	11	LFMHF1000LSW	15	RBFWG	5
BHPQ70L5D43BL	20	IFHPE250L	11	LFMHF400L	13	SF DOOR	7
BHPQ70LCD43BL	18	IFHPE400L	11	LFMHF400LSW	13	SFHPA100L	7
BHPQ70LLD43BL	19	IFHPQ150L	11	LFMHQ250L	13	SFHPA150L	7
BMHQ100L5D43BL	20	IFHPQ250L	11	LFMHQ250LSW	13	SFHPA35L	7
BMHQ100LCD43BL	18	IFHPQ400L	11	LFMHQ400L	13	SFHPA50L	7
BMHQ100LLD43BL	19	IFLG KIT	11	LFMHQ400LSW	13	SFHPA70L	7
BMHQ70L5D43BL	20	IFMHE250L	11	LFSW	13	SFHQP100L	7
BMHQ70LCD43BL	18	IFMHF175L	11	LFWG KIT	13	SFHQP70L	7
BMHQ70LLD43BL	19	IFMHF400L	11	MFF FF	9	SFLEX KIT	7
BOLMT KIT	18	IFMHQ175L	11	MFF PTF	9	SFMHQ100L	7
BOLMT KIT	19	IFMHQ250L	11	MFFGS KIT	9	SFMHQ50L	7
BOLMT KIT	20	IFMHQ400L	11	MFFHPQ100L	9	SFMHQ70L	7
BOLPCLENS	18	IFWG KIT	11	MFFHPQ150L	9	SP1ME15L	17
BOLPCLENS	19	LF DF	13	MFFHPQ70L	9	SP1MF14L	17
BOLPCLENS	20	LFBFL	13	MFFLEX KIT	9	SP1MQ15L	17
BUL1X50	2	LFBR	13	MFFMHF175L	9	SPL PTF	17
FL10F13	3	LFGS KIT	13	MFFMHQ100L	9	SPL YOKE	17
FL10F13BR	3	LFHPE1000L	15	MFFMHQ150L	9	XLF BR	15
FL10F13GR	3	LFHPE1000LSW	15	MFFMHQ175L	9	XLF DOOR	15
FL10F13WH	3	LFHPE250L	13	MFFMHQ50L	9	XLF SW	15
FL10F26	3	LFHPE250LSW	13	MFFMHQ70L	9	XLFBFL KIT	15
FL10F26BR	3	LFHPE400L	13	QT150LD	4	XLFGS KIT	15
FL10F26GR	3	LFHPE400LSW	13	QT150LDW	4	XLFWG	15
FL10F26WH	3	LFHPQ1000L	15	QT300LG	4		
GRSTK	3	LFHPQ1000LSW	15	QT3500	4		
GRSTK	5	LFHPQ250L	13	RBFHPQ100L	5		
GRSTK	7	LFHPQ250LSW	13	RBFHPQ150L	5		
GRSTK	9	LFHPQ400L	13	RBFHPQ70L	5		
IF DOOR	11	LFHPQ400LSW	13	RBFMHQ100L	5		
IF2PTF	11	LFMHE250L	13	RBFMHQ150L	5		

lot lighting and bracket part codes

AN20ARM1	25	AR20RP	22	F30D1R3T1	38	LLARM6STRP	36
AN20ARM2	25	AR20TM	22	F30D1R3T1X	39	LLARM6STSP	36
AN20ARM3	25	AR20WM	22	F30D1R4T1	38	LLP200SO16CW	37
AN20ARM4	25	AR40HPE250L	23	LFBR	37	LLRAB-DB	37
AN20HPE150L	24	AR40HPE400L	23	LFSW	36	LLRSR-B2-2DB	35
AN20HPQ100L	24	AR40HPQ250L	23	LL12HPE150L	28	LLRSR-B3-2DB	35
AN20HPQ150L	24	AR40HPQ400L	23	LL12HPQ150L	28	LLRSR-B4-2DB	35
AN20MHF175L	24	AR40MHE250L	23	LL12MHF175L	28	LLRSR-T3-2DB	35
AN20MHQ100L	24	AR40MHF400L	23	LL12MHQ175L	28	LLRSR-T4-2DB	35
AN20MHQ150L	24	AR40MHQ250L	23	LL12REFCO	29	LLRTASQ-4-2DB	36
AN20MHQ175L	24	AR40MHQ400L	23	LL12REFFT	29	LLRTASQ-5-2DB	36
AN20REFCO	25	AR40PQ320L	23	LL12REFSS	29	LLRTASQ-6-2DB	36
AN20REFFT	25	AR40RP	23	LL16HPE250L	30	LLS2-S36-2DB	35
AN20REFT5	25	AR40TM	23	LL16HPE400L	30	LLS3-A24-2DB	35
AN40ARM1	27	AR40WM	23	LL16HPQ250L	30	LLS3-S30-2DB	35
AN40ARM2	27	ARPCB	22	LL16HPQ400L	30	LLS4-A24-2DB	35
AN40ARM3	27	ARPCB	23	LL16MHE250L	30	LLS4-S30-2DB	35
AN40ARM4	27	F15D1R3T1X	39	LL16MHF175L	30	LLSAB-DB	37
AN40HPE250L	26	F16D1R2T1	38	LL16MHF400L	30	LLSB-100-08-2DB	34
AN40HPE400L	26	F16D1R2T1X	39	LL16MHQ175L	30	LLSB-100-12-2DB	34
AN40HPQ250L	26	F16D1R3T1	38	LL16MHQ250L	30	LLSB-218-08-2DB	34
AN40HPQ400L	26	F20D1R2T1	38	LL16MHQ400L	30	LLSB-218-12-2DB	34
AN40MHE250L	26	F20D1R3T1	38	LL16PQ320L	30	LLSB-290-08-2DB	34
AN40MHF1000L	26	F20D1R3T1X	39	LL16REFCO	31	LLSB-290-12-2DB	34
AN40MHF400L	26	F20D1R3T1XHD	39	LL16REFFT	31	LLSB-312-08-2DB	34
AN40MHQ250L	26	F20D1R4T1	38	LL16REFSS	31	LLSB-312-12-2DB	34
AN40MHQ400L	26	F20D1R4T1X	39	LL23HPE1000L	32	LLSB-390-08-2DB	34
AN40PQ320L	26	F20D1R5T1X	39	LL23HPQ1000L	32	LLSB-390-12-2DB	34
AN40REFCO	27	F20D1R5T1XHD	39	LL23MHF1000L	32	LLSB-490-08-2DB	34
AN40REFFT	27	F25D1R2T1	38	LL23REFCO	33	LLSB-490-12-2DB	34
AN40REFT5	27	F25D1R3T1	38	LL23REFFT	33	LLTR-30-2DB	36
ANCAP	25	F25D1R3T1X	39	LL23REFSS	33	LLTR-35-2DB	36
ANCAP	27	F25D1R3T1XHD	39	LLADJSW	36	LLTR-40-2DB	36
AR20HPE150L	22	F25D1R4T1	38	LLARM10STRP	36	XLF SW	36
AR20HPQ150L	22	F25D1R4T1X	39	LLARM10STSP	36	XLFBFL	37
AR20MHF175L	22	F25D1R5T1X	39	LLARM12STRP	36		
AR20MHQ175L	22	F30D1R2T1	38	LLARM12STSP	36		

Tamlite HID offers a comprehensive line of luminaires and accessories for all of your lighting needs. For information or specifications for the products displayed on this page, contact your local Tamlite HID distributor.

wall packs



mini



cyclops



traditions series



vivid



traditions series



darksy series



accent series



slimline



contour



canopies

high & low bays



vaporproofs



pendant mount



box mount



wall mount

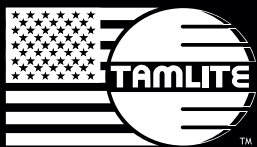
ballast kits



with lamp



without lamp



Tamlite Lighting
660 nw peacock blvd.
port st lucie, fl 34986
t: 772.878.4944
f: 772.878.5558
www.tamliteusa.com

© 2008 Tamlite USA