

Catalog Number	
Notes	Type

## FEATURES & SPECIFICATIONS

### DESCRIPTION

Lay-Ins' high bay fixtures are designed to meet your industrial lighting requirements. Available in 4, 6, and 8 lamp, T5 and T8, configurations, with an aluminum high reflectance polished reflector, the Lay-Ins high bay fixture offers maximum performance to serve today's industrial requirements with the benefit of energy savings.

### CONSTRUCTION

Hot dipped galvanized uni-body construction with built-in tabs for structural integrity. Hinged reflector allows access to the electrical components without removal of any lamps. PAF (painted after fabrication) for consistent finish, safe handling, and corrosion resistance. All fixtures come with factory installed power disconnect. All fixtures are 100% tested at the factory

### ELECTRICAL SYSTEM

#### T8 Ballast Information:

Standard ballast is electronic instant start, thermally protected, resetting, Class P, non-PCB, UL listed, and sound rated A.

#### T5 Ballast Information:

Standard ballast is electronic program start, thermally protected, resetting, Class P, non-PCB, UL listed, and sound rated A

### LISTING

Fixtures are UL Listed and suitable for damp locations.

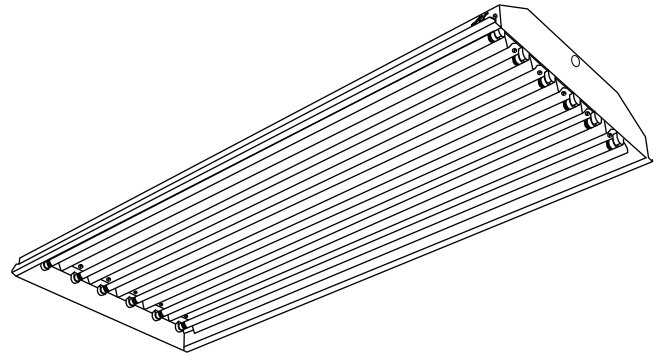
### WARRANTY

Guaranteed for one year against mechanical defects in manufacture.

\*\*\*SPECIFICATIONS SUBJECT TO CHANGE WITHOUT NOTICE\*\*\*

## Fluorescent High Bay T5/T8

# HOR Series - 4/6/8 Lamps



#### Dimensions 4 Lamp

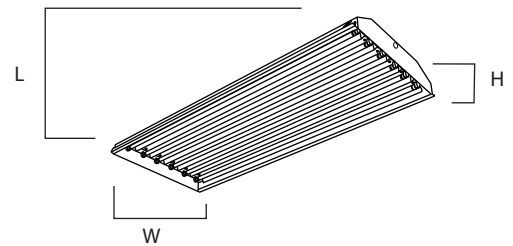
L-Length: 48-3/8"  
 W-Width: 14"  
 H-Height: 3-3/4"

#### Dimensions 6 Lamp

L-Length: 48-3/8"  
 W-Width: 20"  
 H-Height: 3-3/4"  
\*6 Lamp version shown

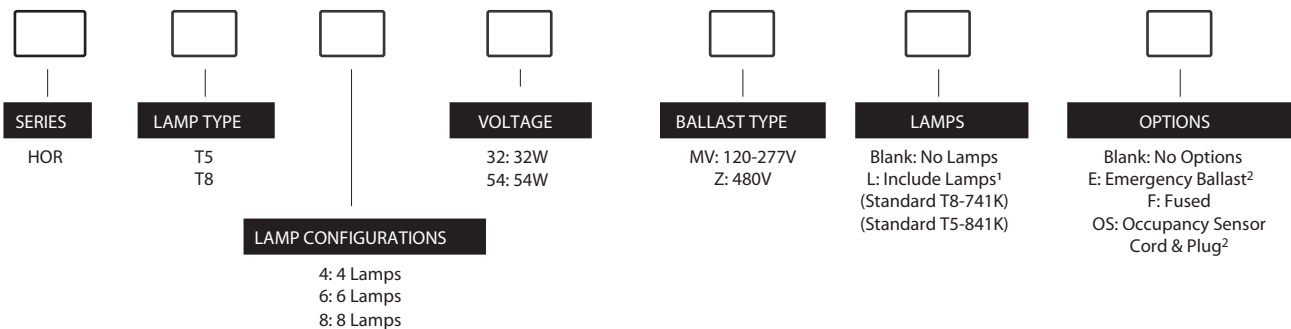
#### Dimensions 8 Lamp

L-Length: 48-3/8"  
 W-Width: 26"  
 H-Height: 3-3/4"



## ORDERING INFORMATION - HOR SERIES 4/6/8 LAMPS FLUORESCENT HIGH BAY

SAMPLE PART CODE: HORT5654MVL



<sup>1</sup> - Please specify lamp CRI/Kelvin temperature when placing purchase order.  
<sup>2</sup> - Consult factory for available options.