

Catalog Number	
Notes	Type

FEATURES & SPECIFICATIONS

DESCRIPTION

The S/I series of specification grade, high performance luminaires are designed for general illumination in commercial, institutional, and retail lighting applications. The painted after fabrication (PAF), housing offers superior light performance, while the precisely formed parabolic blades direct the light to the zones where it is most needed while reducing glare.

The I series features a highly specular aluminum back reflector designed to increase the light output and maintain the look of the S series specification parabolic.

CONSTRUCTION

Hot dipped galvanized uni-body construction with built-in tabs for structural integrity. Specific body design for each lamp configuration limiting holes for a streamlined design. Oversized access plate for ease of installation. PAF for consistent finish, safe handling, and corrosion resistance. Baked white enamel provides a high reflectance factor. NEMA type G (Grid) standard. NEMA type F (Flange) available for field installation. All lamps may be installed or removed in any order. All fixtures are 100% tested at the factory.

ELECTRICAL SYSTEM

T8 Ballast Information:

Standard ballast is electronic instant start, thermally protected, resetting, Class P, non-PCB UL listed, and sound rated A.

T5 Ballast Information:

Standard ballast is electronic program start, thermally protected, resetting, Class P, non-PCB, UL listed, and sound rated A

LISTING

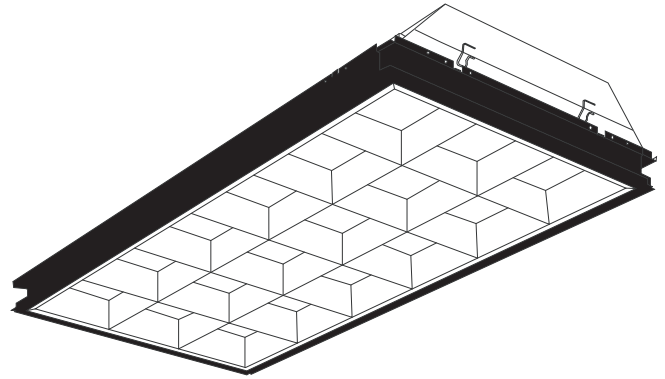
Fixtures are UL Listed and suitable for damp locations.

WARRANTY

Guaranteed for one year against mechanical defects in manufacture.

Specification Parabolic Troffer

S/I Series - 2' x 2' & 2' x 4'

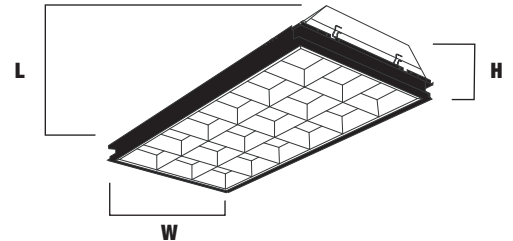
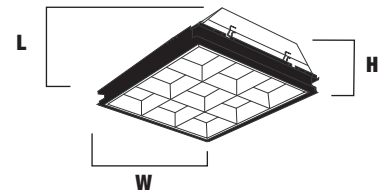


Dimensions 2'x2'

L-Length: 23-3/4"
W-Width: 24"
H-Height: 6-3/4"

Dimensions 2'x4'

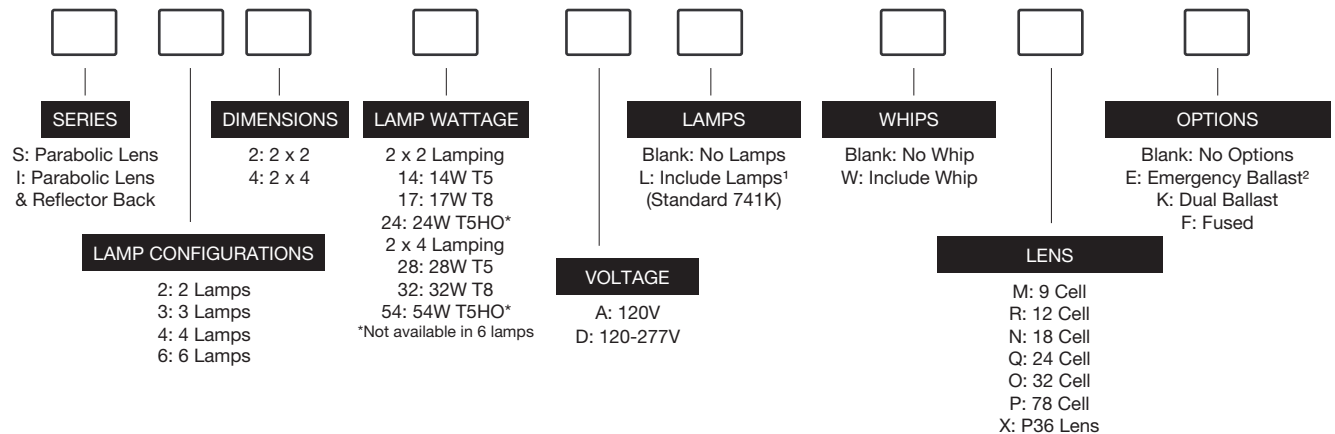
L-Length: 48"
W-Width: 24"
H-Height: 6-3/4"



SPECIFICATIONS SUBJECT TO CHANGE WITHOUT NOTICE

ORDERING INFORMATION - S/I SERIES PARABOLIC 2' X 2' & 2' X 4'

SAMPLE PART CODE: S3432DLN



¹ - Please specify lamp CRI/Kelvin temperature when placing purchase order.

² - Consult factory for available options.