

Catalog Number	
Notes	Type

## FEATURES & SPECIFICATIONS

### DESCRIPTION

The T series of specification grade, high performance luminaries are designed for general illumination in commercial, industrial and retail lighting application. The 4 1/2" deep, painted after fabrication (PAF), housing offers superior light performance and diffusion.

### CONSTRUCTION

Hot dipped galvanized uni-body construction with built-in tabs for structural integrity. Specific body design for each lamp configuration limiting holes for a streamlined design. Oversized access plate for ease of installation. PAF for consistent finish, safe handling, and corrosion resistance. Baked white enamel provides a high reflectance factor. Built in earthquake/hurricane clips. NEMA type G (Grid) standard. NEMA type F (Flange) available for field installation. All lamps may be installed or removed in any order, 3 3/16" lamp to lens for better light dispersion. All fixtures are 100% tested at the factory.

### ELECTRICAL SYSTEM

#### T8 Ballast Information:

Standard ballast is electronic instant start, thermally protected, resetting, Class P, non-PCB, UL listed, and sound rated A.

#### T5 Ballast Information:

Standard ballast is electronic program start, thermally protected, resetting, Class P, non-PCB, UL listed, and sound rated A

### LISTING

Fixtures are UL Listed and suitable for damp locations.

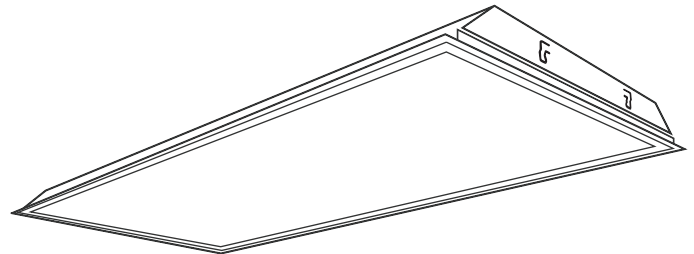
### WARRANTY

Guaranteed for one year against mechanical defects in manufacture.

\*\*\*SPECIFICATIONS SUBJECT TO CHANGE WITHOUT NOTICE\*\*\*

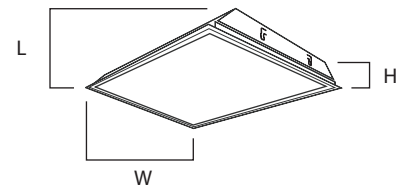
### Specification Troffer

## T Series - 2' x 2' & 2' x 4'



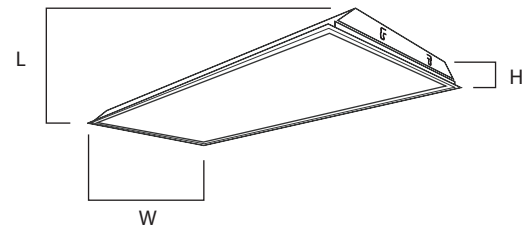
#### Dimensions 2'x2'

Length: 23-7/8"  
Width: 23-15/16"  
Depth: 4-1/2"



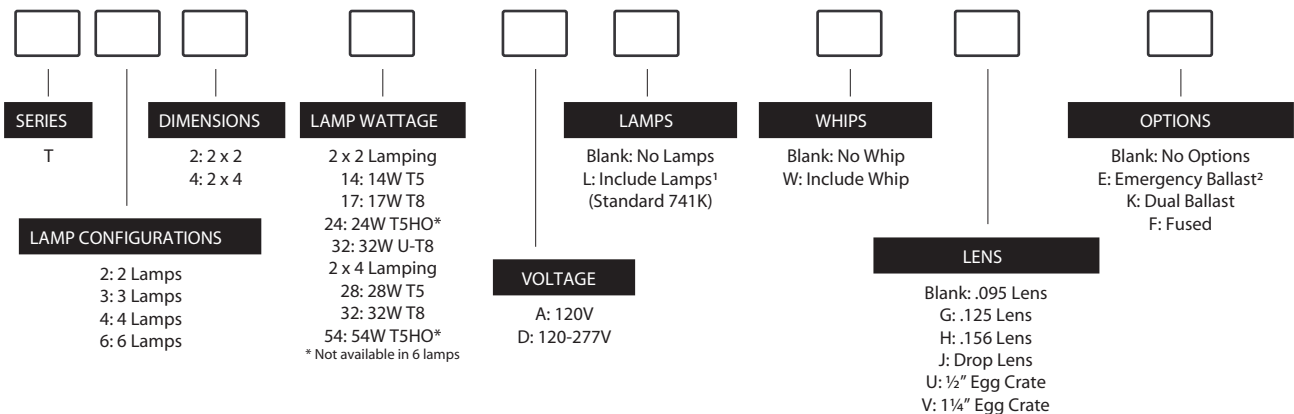
#### Dimensions 2'x4'

Length: 47-3/4"  
Width: 23-15/16"  
Depth: 4-1/2"



## ORDERING INFORMATION - T SERIES 2' X 2' & 2' X 4'

SAMPLE PART CODE: T4432DLW



<sup>1</sup> - Please specify lamp CRI/Kelvin temperature when placing purchase order.  
<sup>2</sup> - Consult factory for available options.