



FLUORESCENT

TAMLITE LIGHTING

660 NW Peacock Blvd. Port St. Lucie, FL 34986
tel: (772) 878-4944 or on the web at www.tamliteusa.com

SPECIFICATION & FEATURES

| |
|----------------|
| Catalog Number |
| Notes |
| Job/Title |

APPLICATIONS:

The Wrap Series (WL) is best for applications requiring a clean, decorative appearance. Provides high vertical illumination and brightness control.

CONSTRUCTION:

Formed from 23 gauge steel allowing for exceptional strength and durability. The body is constructed with numerous KOs for ease of installation, acrylic prismatic diffuser that is injection-molded.

FINISH:

Powder coat paint after fabrication. Three-stage iron phosphate pretreatment allows maximum paint adhesion and rust inhibitors provide corrosion protection. Parts are finished in a white high reflectance lighting grade baked enamel.

ELECTRICAL:

CONSULT FACTORY FOR BALLAST INFORMATION

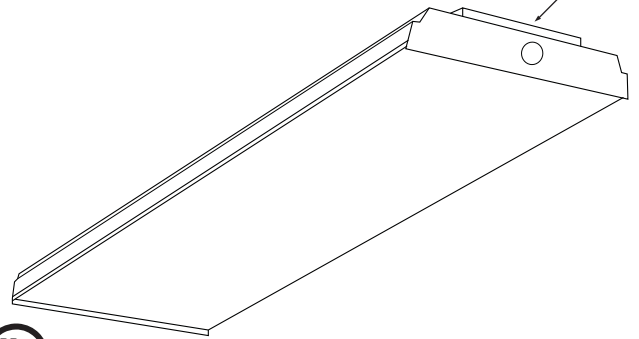
WARRANTY:

Guaranteed for one year from date of purchase against mechanical defects and defects in manufacturing.

WL

3/4 Lamp Wrap Series

3 lamps, no Stand-Off



SPECIFICATIONS

*** SPECIFICATIONS SUBJECT TO CHANGE WITHOUT NOTICE***

| | 3 LIGHT | 4 LIGHT |
|----------------|---------|-----------|
| LENGTH: | 48" | 48 1/4" |
| WIDTH: | 15 7/8" | 12 15/16" |
| DEPTH: | 3 3/8" | 3 1/8" |

ORDERING INFORMATION

WL Series

Sample Part Code: WL3428A



SERIES

WL: Wrap Series



LAMP QTY

3: 3 Lamp
4: 4 Lamp



LENGTH

4: 4'



LAMP WATTAGE

28: 28W T5
32: 32W T8
54: 54W T5HO



VOLTAGE

A: 120V
B: 277V
D: 120-277V



EMERGENCY BALLAST

BLANK: No options
B1: 500 lumens 1 lamp
B2: 1400 lumens 1 lamp
B3: 1400 lumens 2 lamp**
Factory Installed
**T8 only

LAMP CONFIGURATION



MOUNTING INFORMATION

