

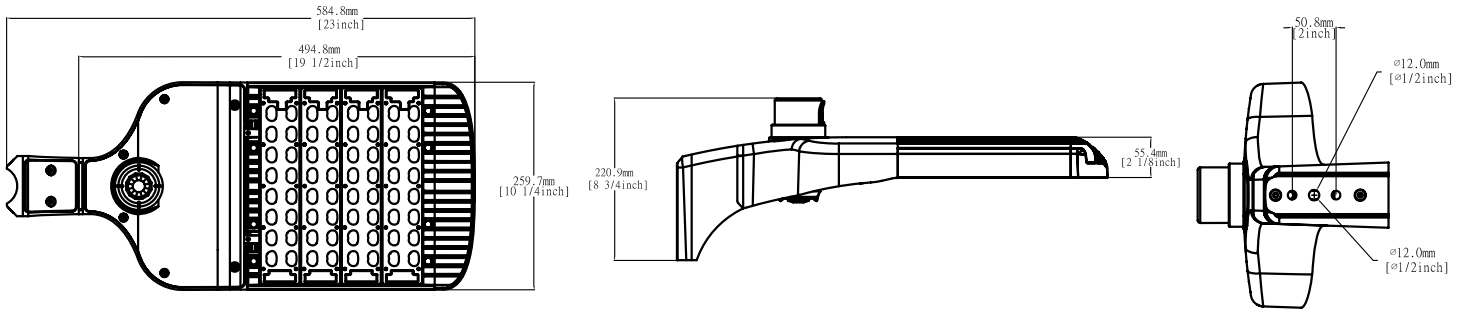
| | | |
|---------------|--------|------|
| MODEL : | | TYPE |
| PROJECT : | | |
| PREPARED BY : | DATE : | |

SERIES SPECIFICATIONS

The ARPS LED area light with its low profile and architectural styling is a great alternative to conventional shoe box luminaires. It is designed to be flexible with interchangeable optics and multiple mounting options.



LINE DRAWING



CONSTRUCTION

Housing
Die cast aluminum back housing with integral heat sink

Lens
Polycarbonate

Finish
Powdercoat finish

Driver Compartment
Hinged door with gasket

Dimmer
Electronic Dimmable Driver

Photocell Capability
7 pin photocell socket with shorting cap

ELECTRICAL SPECIFICATIONS

Input Voltage
120-277VAC or 347-480VAC

Drive Current
2.8A

Input Power
140W

Input Current
1.2A

Power Factor
> 0.9

| | | |
|---------------|--------|------|
| MODEL : | | TYPE |
| PROJECT : | | |
| PREPARED BY : | DATE : | |

ELECTRICAL SPECIFICATIONS CONT.

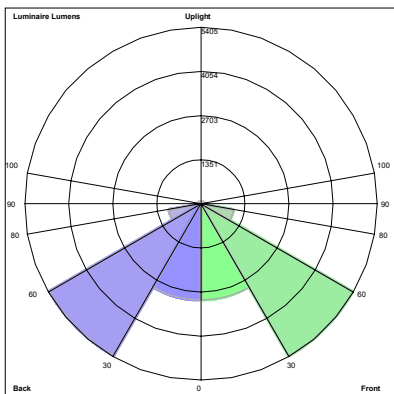
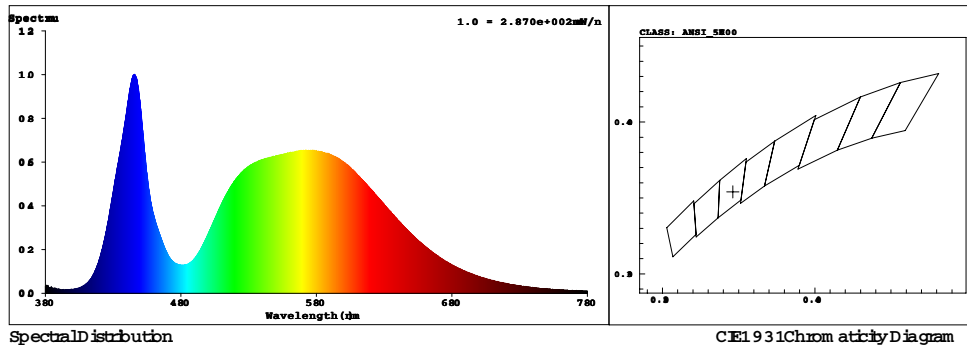
| | | |
|-------------------------------------|-------------------------|------------------------|
| THD <20% | Efficacy 132+ LM/W | Color Temp 5000K |
| Frequency 50-60Hz | CRI > 70 | Beam Angle 101.2° |
| LED Quantity (4) 16 chip modules | Dimming 0-10V | Lifespan 50000 Hrs. |
| Lens Type V | Lumens 18800+ Lumens | |

ACCESSORIES

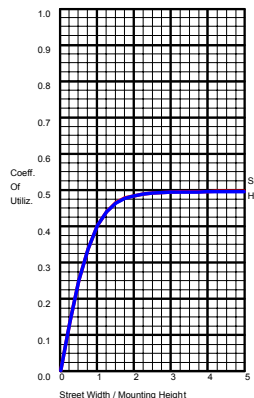
| | | |
|--|----------------------------------|----------------------------------|
| AR-HS House side shield (4 pieces required) | AR-PSSF 2-3/8" slipfitter | AR-PSSQ Square pole mount arm |
| AR-PS3R 3" round pole adapter | AR-PS4R 4" round pole adapter | AR-PS5R 5" round pole adapter |

PERFORMANCE SPECIFICATIONS

SPECTRAL POWER DISTRIBUTION & CHROMATICITY DIAGRAM



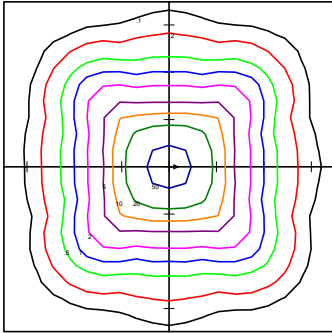
BUG REPORT
 TAMLITE LIGHTING HID
 ARPSLED1405KT5-UNV
 Luminaire Lumens:
 Front:
 Low=2965.8, Medium=5405.1,
 High=1033.2, Very High=29.8
 Back:
 Low=2968.3, Medium=5393.8,
 High=1015.8, Very High=19.5
 Uplight:
 Low=0.0, High=0.0
 BUG Rating : B4-U0-G1



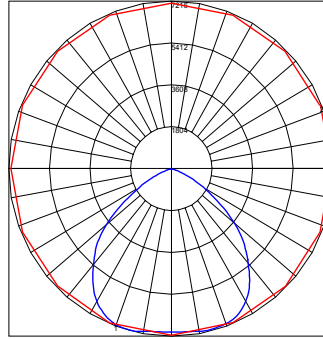
| | LUMENS | PERCENT OF LAMP |
|----------------------|---------|-----------------|
| DOWNWARD STREET SIDE | 9434.0 | 50.1 |
| DOWNWARD HOUSE SIDE | 9397.4 | 49.9 |
| DOWNWARD TOTAL | 18831.4 | 100 |
| UPWARD STREET SIDE | 0.0 | 0.0 |
| UPWARD HOUSE SIDE | 0.0 | 0.0 |
| UPWARD TOTAL | 0.0 | 0.0 |
| TOTAL FLUX | 18831.4 | 100.0 |

| | | |
|---------------|--------|------|
| MODEL : | | TYPE |
| PROJECT : | | |
| PREPARED BY : | DATE : | |

PHOTOMETRIC ISOLINES



TAMLITE LIGHTING HID
 ARPSLED1405KT5-UNV
 Horizontal Footcandles
 Light Loss Factor = 1.00
 Lumens Per Lamp = N.A.
 Lumens = 18831
 Mounting Height = 10.00 Ft
 Maximum Calculated Value = 70.64 Fc
 Arrangement: Single



Polar Graph
 Maximum Candela = 7216.23
 Located at Horizontal Angle = 247.5
 Vertical Angle = 15
 Vertical Plane Through Horizontal
 Angles
 (247.5 - 67.5)
 Horizontal Cone Through Vertical
 Angle
 (15)

CERTIFICATIONS/WARRANTY

Listing
 UL Listed

Location Rating:
 Suitable for wet locations

Warranty

Guaranteed for five years from the purchase date of the product, against mechanical defects in manufacturing.

DLC Listing

Fixtures are DLC listed and featured of the Qualified Products List (QPL).**

ORDERING INFORMATION

Sample Part Number: ARPSLED1405KT5

Carton Dimensions: 59.50x33.99x17.99CM
 23.43x13.39x7.09IN

Weight: 14.77 LBS

| ARPSLED | 140 | 5K | T5 | | | |
|---------|-------------------|--------------|---------------|-------------------|---------------------------|---------------------------|
| SERIES | WATTAGE | COLOR TEMP | DISTRIBUTION | VOLTAGE | MOUNTING | OPTIONS |
| ARPSLED | [140] : 140 Watts | [5K] : 5000K | [T5] : Type V | [-UNV] : 120-277V | [-SP] : Square Pole Arm | [-HS] : House Side Shield |
| | | | | [-UN4] : 480V | [-R3] : 3" Round Pole | |
| | | | | | [-R4] : 4" Round Pole | |
| | | | | | [-R5] : 5" Round Pole | |
| | | | | | [-SF] : 2 3/8" Slipfitter | |

NOTES

**Not all product variations meet Design Light Consortium Qualifications. Please verify that the product is listed on the DLC products list at www.designlightconsortium.org/QPL.