



# TAMLITE LIGHTING

660 NW Peacock Blvd. Port St. Lucie, FL 34986  
tel: (772) 878-4944 or on the web at [www.tamliteusa.com](http://www.tamliteusa.com)

## SPECIFICATION & FEATURES

Catalog Number
Notes
Job/Title

# ACCEC

## Accent Eyelid Frame

### HOUSING:

The Accent Eyelid Frame (ACCEC) is a 15" diameter die-cast aluminum housing and grid top frame, coin plugs with O-rings for 1/2" conduit and photocell, bronze powdercoat finish.

### REFLECTOR:

White powdercoated steel reflector.

### LENS:

Clear prismatic molded borosilicate glass lens.

### SOCKET:

HID: Porcelain 4KV pulse rated medium base socket with nickel-plated screw shell  
PL: Plug-in type, GX24Q-4

### MOUNTING:

Cast-in template for mounting over a 4" recessed outlet box or use 1/2" surface mount conduit connection.

### SOURCE / WATTAGE:

High Pressure Sodium: 35W to 150W  
Pulse Start Metal Halide: 50W to 150W  
Compact Fluorescent: 26W to 84W (1x26, 1x32, 1x42, 2x26, 2x32, 2x42)  
Induction: 40W and 80W

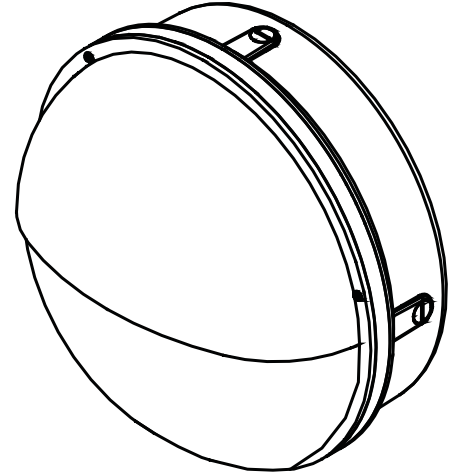
### LISTING & RATINGS:

CSA: Listed for wet locations.

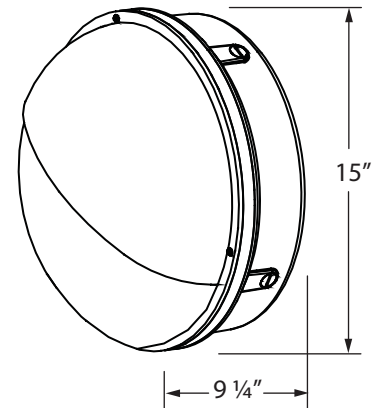
### WARRANTY:

Guaranteed for one year against mechanical defects in manufacturing.

\*\*\* SPECIFICATIONS SUBJECT TO CHANGE WITHOUT NOTICE\*\*\*



### DIMENSIONS DATA



Max. Weight 24 lbs.



## SPECIFICATION & FEATURES

# ACCEC

Accent Eyelid Frame

### ORDERING INFORMATION (HID)

CATALOG#	DESCRIPTION	VOLTAGE	BALLAST
<b>HIGH PRESSURE SODIUM</b>			
ACCECHA01LB	35 WATT HPS	120	R-NPF
ACCECHA02LB	50 WATT HPS	120	R-NPF
ACCECHA03LB	70 WATT HPS	120	R-NPF
ACCECHA04LB	100 WATT HPS	120	R-NPF
ACCECHA06LB	150 WATT HPS	120	R-NPF
ACCECHQ03LB	70 WATT HPS	120/208/240/277	HX-HPF
ACCECHQ04LB	100 WATT HPS	120/208/240/277	HX-HPF
ACCECHQ06LB	150 WATT HPS	120/208/240/277	HX-HPF
<b>PULSE START METAL HALIDE</b>			
ACCECMQ02LB	50 WATT MH	120/208/240/277	HX-HPF
ACCECMQ03LB	70 WATT MH	120/208/240/277	HX-HPF
ACCECMQ04LB	100 WATT MH	120/208/240/277	HX-HPF
ACCECMQ06LB	150 WATT MH	120/208/240/277	HX-HPF
Lamp(s) included			

**NOTES:**

\*\*\*CONSULT FACTORY FOR BALLAST INFORMATION\*\*\*

### ORDERING INFORMATION (FLUORESCENT)

CATALOG#	DESCRIPTION	VOLTAGE	BALLAST
ACCEC1X26DL <sup>1</sup>	26 WATT PL	120-277	ELECTRONIC
ACCEC1X32DL <sup>1</sup>	32 WATT PL	120-277	ELECTRONIC
ACCEC1X42DL <sup>1</sup>	42 WATT PL	120-277	ELECTRONIC
ACCEC2X26DL <sup>1</sup>	52 WATT PL	120-277	ELECTRONIC
ACCEC2X32DL <sup>1</sup>	64 WATT PL	120-277	ELECTRONIC
ACCEC2X42DL <sup>1</sup>	84 WATT PL	120-277	ELECTRONIC
<sup>1</sup> Battery back-up available by adding "B1" to end of part code for 120V or "B2" for 277V.			
Lamp(s) included			

**NOTES:**

Electronic fluorescent ballasts are high power factor, Class P insulation, 120-277V, and have a starting temperature of 0° F (-18° C).

Battery backup provides up to 90 minutes of power for two (2) lamps (depending on wattage), and has an operating temperature range of 32° to 122° F (0° to +50° C).

\*\*\*CONSULT FACTORY FOR BALLAST INFORMATION\*\*\*

### ORDERING INFORMATION / SPECIFICATIONS (INDUCTION)

CATALOG#	VOLTAGE (60Hz)	WORKING FREQUENCY	CURRENT	POWER FACTOR	AMBIENT TEMP. RANGE
ACCECI40120L	120 (90-150)	210 kHz	.38 A	.98	-35° C / +50° C
ACCECI40277L	277 (250-305)	210 kHz	.16 A	.90	-35° C / +50° C
ACCECI80120L	120 (90-150)	210 kHz	.74 A	.98	-35° C / +50° C
ACCECI80277L	277 (250-305)	210 kHz	.32 A	.90	-35° C / +50° C
Lamp included					

**NOTES:**

\*\*\*CONSULT FACTORY FOR DRIVER INFORMATION\*\*\*

### LAMP SPECIFICATIONS (INDUCTION)

WATTAGE	CRI	INITIAL LUMENS @ 120V or 277V	LAMP LIFE
40	80	2600	100,000 hrs.
80	80	6400	100,000 hrs.

Application and Performance Specification Information is Subject to Change Without Notification