



TAMLITE LIGHTING

660 NW Peacock Blvd. Port St. Lucie, FL 34986
tel: (772) 878-4944 or on the web at www.tamliteusa.com

SPECIFICATION & FEATURES

Catalog Number
Notes
Job/Title

ACCOC

Accent Open Frame

HOUSING:

The Accent Open Frame (ACCOC) is a 15" diameter die-cast aluminum housing and grid top frame, coin plugs with O-rings for 1/2" conduit and photocell, bronze powdercoat finish.

REFLECTOR:

White powdercoated steel reflector.

LENS:

Clear prismatic molded borosilicate glass lens.

SOCKET:

HID: Porcelain 4KV pulse rated medium base socket with nickel-plated screw shell
PL: Plug-in type, GX24Q-4

MOUNTING:

Cast-in template for mounting over a 4" recessed outlet box or use 1/2" surface mount conduit connection.

SOURCE / WATTAGE:

High Pressure Sodium: 35W to 150W
Pulse Start Metal Halide: 50W to 150W
Compact Fluorescent: 26W to 84W (1x26, 1x32, 1x42, 2x26, 2x32, 2x42)
Induction: 40W and 80W

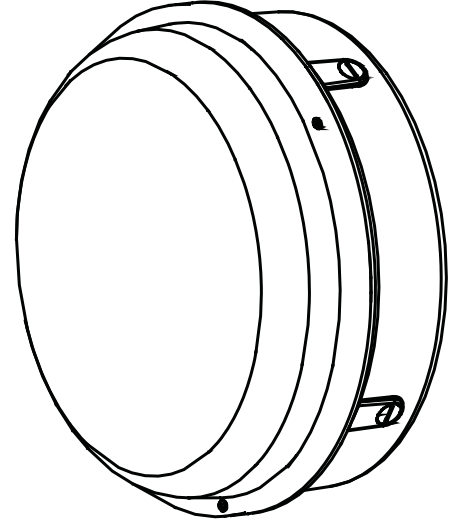
LISTING & RATINGS:

CSA: Listed for wet locations.

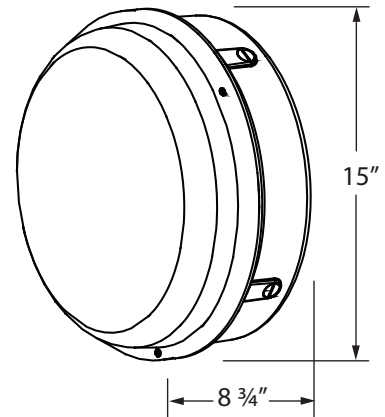
WARRANTY:

Guaranteed for one year against mechanical defects in manufacturing.

*** SPECIFICATIONS SUBJECT TO CHANGE WITHOUT NOTICE***



DIMENSIONS DATA



Max. Weight 23 lbs.



SPECIFICATION & FEATURES

ACCOC

Accent Open Frame

ORDERING INFORMATION (HID)

CATALOG#	DESCRIPTION	VOLTAGE	BALLAST
HIGH PRESSURE SODIUM			
ACCOCHA01LB	35 WATT HPS	120	R-NPF
ACCOCHA02LB	50 WATT HPS	120	R-NPF
ACCOCHA03LB	70 WATT HPS	120	R-NPF
ACCOCHA04LB	100 WATT HPS	120	R-NPF
ACCOCHA06LB	150 WATT HPS	120	R-NPF
ACCOCHQ03LB	70 WATT HPS	120/208/240/277	HX-HPF
ACCOCHQ04LB	100 WATT HPS	120/208/240/277	HX-HPF
ACCOCHQ06LB	150 WATT HPS	120/208/240/277	HX-HPF
PULSE START METAL HALIDE			
ACCOCMQ02LB	50 WATT MH	120/208/240/277	HX-HPF
ACCOCMQ03LB	70 WATT MH	120/208/240/277	HX-HPF
ACCOCMQ04LB	100 WATT MH	120/208/240/277	HX-HPF
ACCOCMQ06LB	150 WATT MH	120/208/240/277	HX-HPF
Lamp(s) included			

NOTES:

CONSULT FACTORY FOR BALLAST INFORMATION

ORDERING INFORMATION (FLUORESCENT)

CATALOG#	DESCRIPTION	VOLTAGE	BALLAST
ACCOC1X26DL ¹	26 WATT PL	120-277	ELECTRONIC
ACCOC1X32DL ¹	32 WATT PL	120-277	ELECTRONIC
ACCOC1X42DL ¹	42 WATT PL	120-277	ELECTRONIC
ACCOC2X26DL ¹	52 WATT PL	120-277	ELECTRONIC
ACCOC2X32DL ¹	64 WATT PL	120-277	ELECTRONIC
ACCOC2X42DL ¹	84 WATT PL	120-277	ELECTRONIC
¹ Battery back-up available by adding "B1" to end of part code for 120V or "B2" for 277V.			
Lamp(s) included			

NOTES:

Electronic fluorescent ballasts are high power factor, Class P insulation, 120-277V, and have a starting temperature of 0° F (-18° C).

Battery backup provides up to 90 minutes of power for two (2) lamps (depending on wattage), and has an operating temperature range of 32° to 122° F (0° to +50° C).

CONSULT FACTORY FOR BALLAST INFORMATION

ORDERING INFORMATION / SPECIFICATIONS (INDUCTION)

CATALOG#	VOLTAGE (60Hz)	WORKING FREQUENCY	CURRENT	POWER FACTOR	AMBIENT TEMP. RANGE
ACCOCI40120L	120 (90-150)	210 kHz	.38 A	.98	-35° C / +50° C
ACCOCI40277L	277 (250-305)	210 kHz	.16 A	.90	-35° C / +50° C
ACCOCI80120L	120 (90-150)	210 kHz	.74 A	.98	-35° C / +50° C
ACCOCI80277L	277 (250-305)	210 kHz	.32 A	.90	-35° C / +50° C
Lamp included					

NOTES:

CONSULT FACTORY FOR DRIVER INFORMATION

LAMP SPECIFICATIONS (INDUCTION)

WATTAGE	CRI	INITIAL LUMENS @ 120V or 277V	LAMP LIFE
40	80	2600	100,000 hrs.
80	80	6400	100,000 hrs.

Application and Performance Specification Information is Subject to Change Without Notification