



TAMLITE LIGHTING

660 NW Peacock Blvd. Port St. Lucie, FL 34986
tel: (772) 878-4944 or on the web at www.tamliteusa.com

SPECIFICATION & FEATURES

Catalog Number
Notes
Job/Title

HOUSING:

Die-cast housing with bronze powdercoat finish over a chromate conversion coating. Hinged front frame with latch for "no tools" entry.

REFLECTOR:

Smooth aluminum reflector

LENS:

Tempered glass lens

SOCKET:

Porcelain 4KV pulse rated medium base socket with nickel-plated screw shell. Socket position can be adjusted to achieve type 3, 4, or 5 optics.

MOUNTING:

Wall mount with optional wall mount adapter (AR20WM)
Mounts directly to drilled square pole with hardware and gasket kit (included)
Mounts to drilled round pole with optional adapter (AR20RP)

ELECTRICAL:

High Pressure Sodium: 70W to 150W
Metal Halide: 50w to 150W

LISTING & RATINGS:

CSA: Listed for wet locations

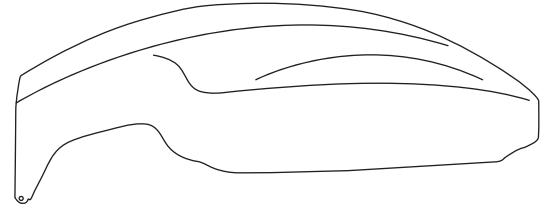
WARRANTY:

Guaranteed for one year against mechanical defects in manufacture

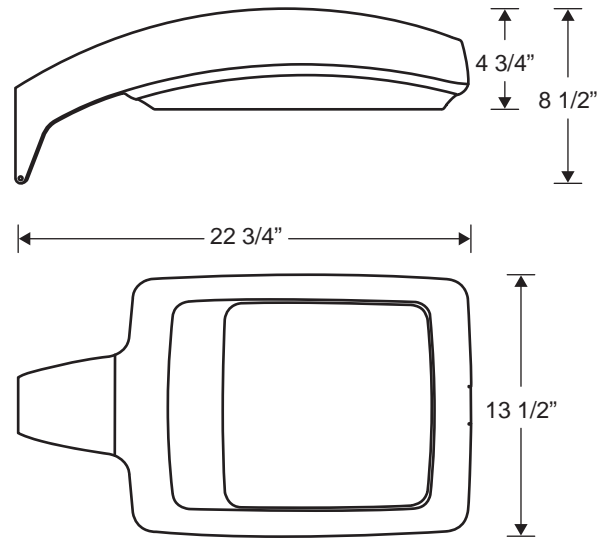
*** SPECIFICATIONS SUBJECT TO CHANGE WITHOUT NOTICE***

AR 20

Aeroray Wall/Pole Mount



DIMENSIONS/MOUNTING DATA






Max. Weight: 24 LBS.

ORDERING INFORMATION

CATALOG#	DESCRIPTION	VOLTAGE	BALLAST
High Pressure Sodium			
AR20HPA70L	70 WATT HPS	120	R-NPF
AR20HPA100L	100 WATT HPS	120	R-NPF
AR20HPA150L	150 WATT HPS	120	R-NPF
AR20HPQ70L	70 WATT HPS	QUAD TAP	HX-HPF
AR20HPQ100L	100 WATT HPS	QUAD TAP	HX-HPF
AR20HPQ150L	150 WATT HPS	QUAD TAP	HX-HPF
Metal Halide			
AR20MHQ50L	50 WATT MH	QUAD TAP	HX-HPF
AR20MHQ70L	70 WATT MH	QUAD TAP	HX-HPF
AR20MHQ100L	100 WATT MH	QUAD TAP	HX-HPF
AR20MHQ150L	150 WATT MH	QUAD TAP	HX-HPF
Lamp included			
Square pole mounting hardware included			
For factory installed photocell socket add "PC" to end of partcode when ordering (photocell not included)			

ACCESSORIES

CATALOG#	DESCRIPTION
Optional adapters and brackets	
AR20RP	 Round pole mount adapter must be ordered separately.
AR20WM	 "Easy Hang" wall mount adapter (required for wall mounting) must be ordered separately.
ARPCB	 Photocell bracket with receptacle mounting hardware and gasket.