



# TAMLITE LIGHTING

660 NW Peacock Blvd. Port St. Lucie, FL 34986  
tel: (772) 878-4944 or on the web at [www.tamliteusa.com](http://www.tamliteusa.com)



## SPECIFICATION & FEATURES

Catalog Number
Notes
Job/Title

# BLS6ICRAT

## 6" IC Type Sloped Housing for Remodeling Line Voltage

### DESCRIPTION:

BLS6ICRAT is a 6" aperture sloped housing for one vertical lamp, UL, C-UL listed for damp location. The BLS6ICRAT is designed for insulated ceilings and can be in direct contact with insulation. It is thermally protected against misuse of insulation materials and improper lamping. This air-tight housing design prevents airflow through ceiling for saving heating and air conditioning costs. The BLS6ICRAT offers a choice of trim types including baffle, reflector, lensed and eyeball trims.

### HOUSING/MOUNTING FRAME:

7 1/2" height allows to use in 2" x 8" joist construction. Adjustable socket mounting plate for proper positioning of different lamp types. Sloped housing accommodates ceilings at 2/12 to 6/12 pitch (approximately 10° to 30°).

### LAMPING/SOCKET:

75W Max., 120V (Lamp wattage based on trim).

### JUNCTION BOX:

J-box is listed for through-branch circuit wiring (5)11/16" knockouts, and (4) knockouts with Romex cable lamp. Ground wire is provided.

### COMPLIANCE:

UL, C-UL listed for damp location.  
Certified Air-Tight under ATM-E283

### WARRANTY:

Guaranteed one year from the purchase date of the product, against mechanical defects in manufacturing.



\*\*\* SPECIFICATIONS SUBJECT TO CHANGE WITHOUT NOTICE\*\*\*

### ORDERING INFORMATION

## BLS6ICRAT

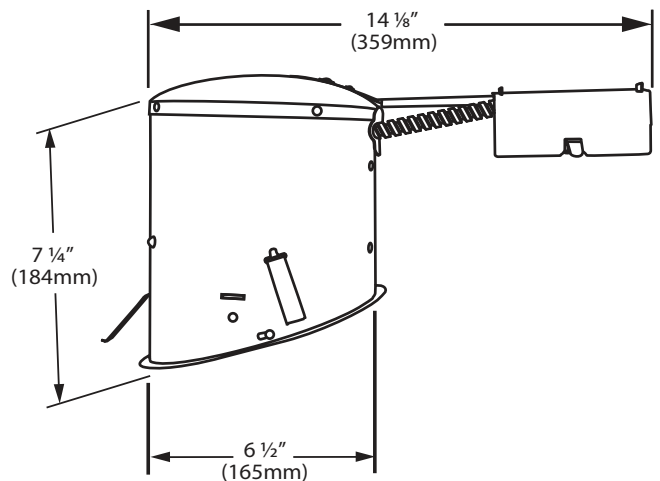
Sample Part Code: BLS6ICRAT



**SERIES**

**BLS6ICRAT: IC Rated, Air Tight Housing**

### DIMENSIONS DATA



7 1/16" x 6 7/8"  
Ceiling cut-out