



TAMLITE LIGHTING

660 NW Peacock Blvd. Port St. Lucie, FL 34986
tel: (772) 878-4944 or on the web at www.tamliteusa.com



SPECIFICATION & FEATURES

Catalog Number
Notes
Job/Title

DESCRIPTION:

BLV18NAT-N is a 4" aperture new work housing for one MR-16 halogen lamp UL, C-UL listed for damp location. The BLV18NAT-N is not IC rated, it is thermally protected against misuse of insulation materials and improper lamping. This air-tight housing design prevents airflow through ceiling for saving heating and air conditioning costs. The BLV18NAT-N offers a choice of trim types including baffle and reflector trims.

HOUSING/MOUNTING FRAME:

The BLV18NAT-N is a 4" new work, air-tight installation. Mounting frame of galvanized steel is 9" L x 6" W. The housing adjusts for ceilings up to 1 1/4" thick. The pre-installed bar hangers allow the housing to be positioned at any point within a 24" joist span. The bar hangers can be turned 90° on the plaster frame. Bar hangers are designed to fit T-bar spine without additional clamps for use in a drop ceiling. Designed for use in non-insulated areas. If installed where insulation is present, the insulation must be pulled back 3" from all sides of the BLV18NAT-N housing.

LAMPING/SOCKET:

50W Max., 12V GU5.3 base MR-16 (Lamp wattage based on trim). Adjustable socket mounting plate for proper positioning of different lamp types.

JUNCTION BOX:

J-box is listed for through-branch circuit wiring (5)11/16" knockouts, and (4) knockouts with Romex cable lamp. Ground wire is provided.

COMPLIANCE:

UL, C-UL listed for damp location.
Certified Air-Tight under ATM-E283

WARRANTY:

Guaranteed one year from the purchase date of the product, against mechanical defects in manufacturing.

*** SPECIFICATIONS SUBJECT TO CHANGE WITHOUT NOTICE***

BLV18NAT-N

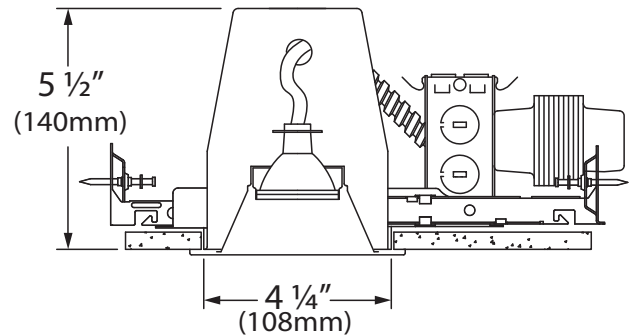
4" NON-IC Type Housing for New Work Line Voltage



SPECIFICATIONS



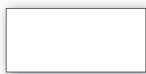
4 3/8"
Ceiling cut-out



ORDERING INFORMATION

BLV18NAT-N

Sample Part Code: BLV18NAT-N



SERIES

BLV18NAT-N: NON-IC Rated, Air Tight Remodel Housing