



TAMLITE LIGHTING

660 NW Peacock Blvd. Port St. Lucie, FL 34986
tel: (772) 878-4944 or on the web at www.tamliteusa.com

SPECIFICATION & FEATURES

HOUSING:

Extruded aluminum housing with flush mounting base and vandal-resistant screws, domed top, adjustable socket bracket, powdercoat finish over a chromate conversion coating, internal ballast tray for easy maintenance.

REFLECTOR:

Aluminum reflector

LENS:

Clear polycarbonate lens

SOCKET:

HID: Porcelain 4KV pulse rated medium base socket with nickel-plated screw shell
PL: Plug-in type, GX24Q-4
Both socket type adjustable

MOUNTING:

4" anchor bolts with alignment template for concrete setting included

ELECTRICAL:

High Pressure Sodium: 70W to 100W
Metal Halide: 70W to 100W
Compact Fluorescent: 42W to 57W
(1x42, 1x57)
120-277V electronic ballast

LISTING & RATINGS:

CSA: Listed for wet locations

WARRANTY:

Guaranteed for one year against mechanical defects in manufacture

*** SPECIFICATIONS SUBJECT TO CHANGE WITHOUT NOTICE***

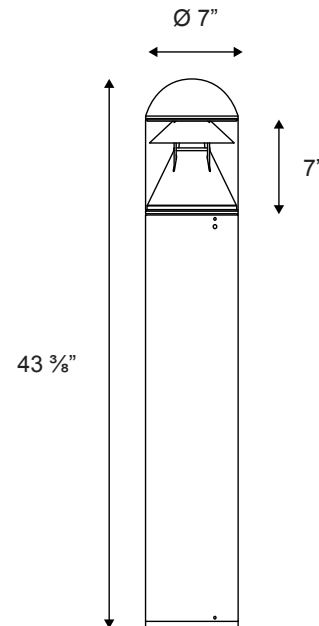
Catalog Number
Notes
Job/Title

B

Adjustable Cone Bollard



DIMENSIONS/MOUNTING DATA



Max. Weight: 23 LBS.

ORDERING INFORMATION

CATALOG#	DESCRIPTION	VOLTAGE	BALLAST
Fluorescent¹			
B1X42LCD43BL ¹	42 WATT PL	120-277	ELECTRONIC
B1X57LCD43BL ¹	57 WATT PL	120-277	ELECTRONIC
¹ Battery back-up available by adding "B1" to end of part code for 120V or "B2" for 277V.			
High Pressure Sodium			
BHPQ70LCD43BL	70 WATT HPS	QUAD TAP	HX-HPF
BHPQ100LCD43BL	100 WATT HPS	QUAD TAP	HX-HPF
Metal Halide			
BMHQ70LCD43BL	70 WATT MH	QUAD TAP	HX-HPF
BMHQ100LCD43BL	100 WATT MH	QUAD TAP	HX-HPF
Lamp included			
Anchor bolts with alignment template included			
Standard color is black. White and bronze are available as special order, consult factory for availability. When ordering white replace "BL" in part code with "WH". When ordering bronze replace "BL" in part code with "BZ".			