



TAMLITE LIGHTING

660 NW Peacock Blvd. Port St. Lucie, FL 34986
tel: (772) 878-4944 or on the web at www.tamliteusa.com

SPECIFICATION & FEATURES

HOUSING:

Extruded aluminum housing with flush mounting base and vandal-resistant screws, domed top, adjustable socket bracket, powdercoat finish over a chromate conversion coating, internal ballast tray for easy maintenance.

REFLECTOR:

Aluminum reflector

LENS:

Clear polycarbonate lens with internal cast aluminum louvers.

SOCKET:

HID: Porcelain 4KV pulse rated medium base socket with nickel-plated screw shell and adjustable socket bracket.

PL: Plug-in type, GX24Q-4

MOUNTING:

4" anchor bolts with alignment template for concrete setting included.

ELECTRICAL:

High Pressure Sodium: 70W to 100W

Metal Halide: 70W to 100W

Compact Fluorescent: 42W to 57W

(1x42, 1x57)

120-277V electronic ballast

LISTING & RATINGS:

CSA: Listed for wet locations.

WARRANTY:

Guaranteed for one year against mechanical defects in manufacturing.

*** SPECIFICATIONS SUBJECT TO CHANGE WITHOUT NOTICE***

ORDERING INFORMATION

CATALOG#	DESCRIPTION	VOLTAGE	BALLAST
Fluorescent¹			
B1X42LLD43BL ¹	42 WATT PL	120-277	ELECTRONIC
B1X57LLD43BL ¹	57 WATT PL	120-277	ELECTRONIC
¹ Battery back-up available by adding "B1" to end of part code for 120V or "B2" for 277V.			
High Pressure Sodium			
BHPQ70LLD43BL	70 WATT HPS	QUAD TAP	HX-HPF
BHPQ100LLD43BL	100 WATT HPS	QUAD TAP	HX-HPF
Metal Halide			
BMHQ70LLD43BL	70 WATT MH	QUAD TAP	HX-HPF
BMHQ100LLD43BL	100 WATT MH	QUAD TAP	HX-HPF

Lamp included

Anchor bolts with alignment template included

Standard color is black. White and bronze are available as special order, consult factory for availability.

When ordering white replace "BL" in part code with "WH".

When ordering bronze replace "BL" in part code with "BZ".

Catalog Number

Notes

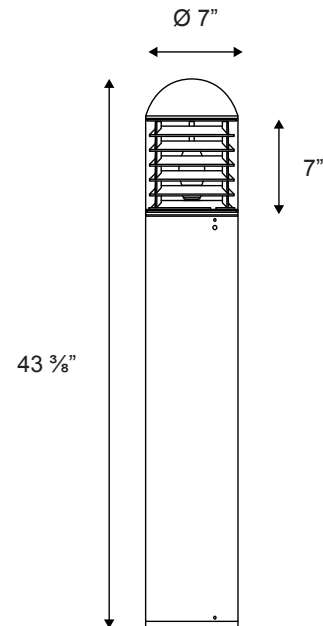
Job/Title

B

Louvered Bollard



DIMENSIONS/MOUNTING DATA



Max. Weight: 23 LBS.