



# TAMLITE LIGHTING

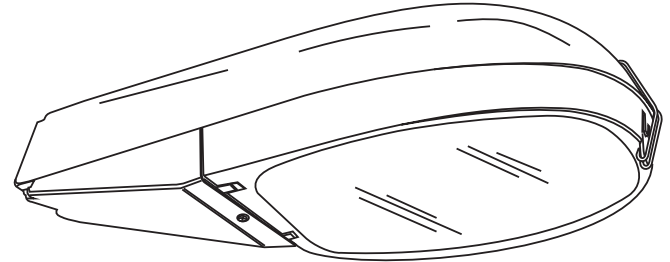
660 NW Peacock Blvd. Port St. Lucie, FL 34986  
 tel: (772) 878-4944 or on the web at [www.tamliteusa.com](http://www.tamliteusa.com)

## SPECIFICATION & FEATURES

Catalog Number
Notes
Job/Title

# COB

## LED Cobrahead



### HOUSING:

The LED Cobrahead (COB) has a slim and sweeping curved design for low wind resistance. The sides are die-cast aluminum, while its center piece is designed to maximize heat dissipation from the LED light engine. The COB is finished in gray UV and weather resistant powdercoat paint.

### LENS:

Clear flat tempered glass lens.

### MOUNTING:

Standard arm mount.

### ILLUMINATION:

Long life, energy saving CREE LEDs, Color temperature - 6100K, low junction temperature (Tj) for long life, low lumen depreciation, Low starting temp -30°C., Lumens per LED - Approx. 90-95.

### SOURCE / WATTAGE:

LED: 50 Watt  
 IC current controlled LED circuits

\*\*\*LED'S meet LM80 requirements photometric available on request\*\*\*

### LISTING & RATINGS:

UL: Listed for wet locations.

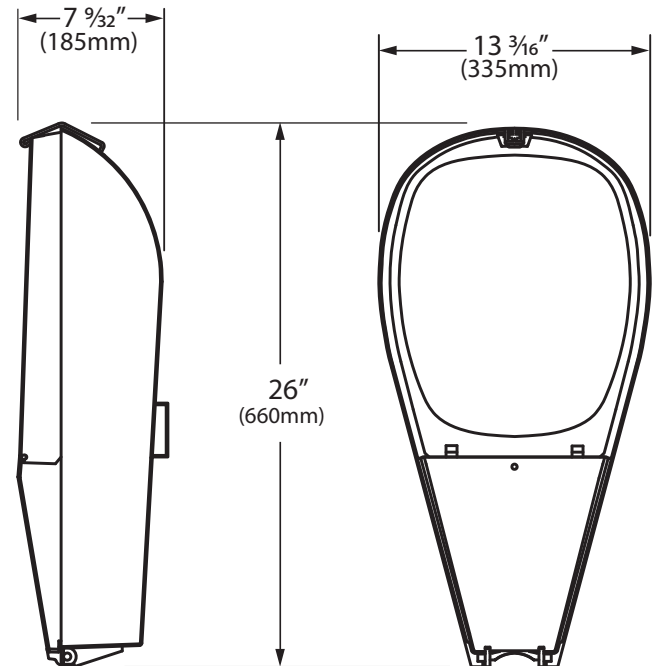
### WARRANTY:

Guaranteed for 3 year against mechanical defects in manufacturing.

\*\*\* SPECIFICATIONS SUBJECT TO CHANGE WITHOUT NOTICE\*\*\*



### DIMENSIONS DATA



### ORDERING INFORMATION

CATALOG#	DESCRIPTION	VOLTAGE	INPUT POWER
COBLED50W	50 WATT LED	120-277	65 WATTS