



TAMLITE LIGHTING

660 NW Peacock Blvd. Port St. Lucie, FL 34986
tel: (772) 878-4944 or on the web at www.tamliteusa.com

SPECIFICATION & FEATURES

Catalog Number
Notes
Job/Title

CUR

LED Curve Wall Pack

HOUSING:

The LED Curve Series wall pack (CUR) has a die-cast aluminum rear and a polycarbonate front housing. It has coin plugs with O-rings for 1/2" conduit entry and has a cast-in template for mounting directly over a 4" recessed outlet box or conduit connection. The CUR has an architectural bronze UV resistant powdercoat finish.

LENS:

Clear ribbed polycarbonate lens.

MOUNTING:

Optional cast aluminum mounting plate mounts directly over a 4" recessed outlet box or use 1/2" surface mount conduit connection.

ILLUMINATION:

Long life, energy saving CREE LEDs, Color temperature - 4700K, low junction temperature (Tj) for long life, low lumen depreciation, Low starting temp -30°C., Lumens per LED - Approx. 90-95.

SOURCE / WATTAGE:

LED: 20 Watt
IC current controlled LED circuits

LED'S meet LM80 requirements photometric available on request

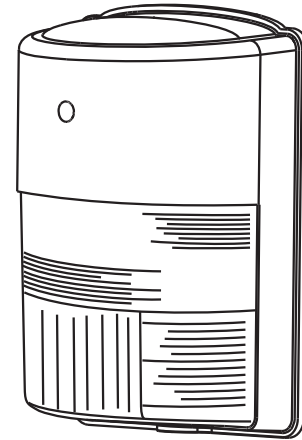
LISTING & RATINGS:

UL: Listed for wet locations.

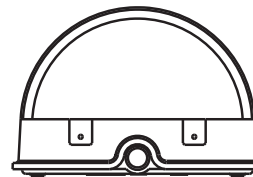
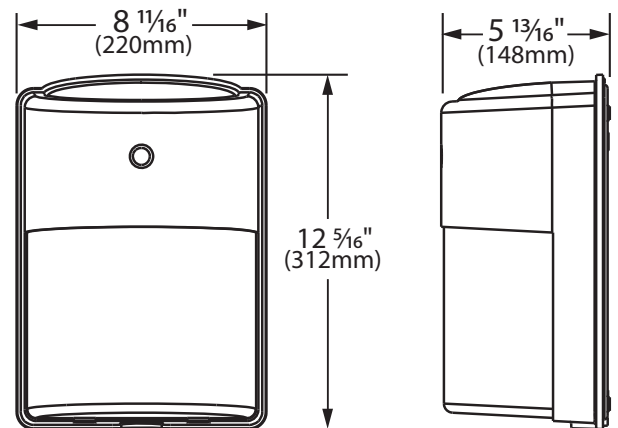
WARRANTY:

Guaranteed for 3 year against mechanical defects in manufacturing.

*** SPECIFICATIONS SUBJECT TO CHANGE WITHOUT NOTICE***



DIMENSIONS DATA



ORDERING INFORMATION

CATALOG#	DESCRIPTION	VOLTAGE	INPUT POWER
CURLED10W	20 WATT LED	120-277VAC	26 WATTS