



# TAMLITE LIGHTING

660 NW Peacock Blvd. Port St. Lucie, FL 34986  
 tel: (772) 878-4944 or on the web at [www.tamliteusa.com](http://www.tamliteusa.com)

## SPECIFICATION & FEATURES

Catalog Number
Notes
Job/Title

# CYC

## LED Cyclops Polycarbonate Wall Pack

### HOUSING:

The LED Cyclops Series wall pack (CYC) has a die-cast aluminum rear and a polycarbonate front housing. It has coin plugs with O-rings for 1/2" conduit entry and has a cast-in template for mounting directly over a 4" recessed outlet box or conduit connection. The CYC has an architectural bronze UV resistant powdercoat finish.

### LENS:

Clear ribbed polycarbonate lens.

### MOUNTING:

Optional cast aluminum mounting plate mounts directly over a 4" recessed outlet box or use 1/2" surface mount conduit connection.

### ILLUMINATION:

Long life, energy saving CREE LEDs, Color temperature - 4700K, low junction temperature (Tj) for long life, low lumen depreciation, Low starting temp -30°C., Lumens per LED - Approx. 90-95.

### SOURCE / WATTAGE:

LED: 10 Watt  
 IC current controlled LED circuits

\*\*\*LED'S meet LM80 requirements photometric available on request\*\*\*

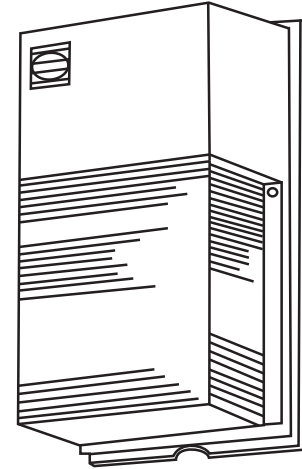
### LISTING & RATINGS:

UL: Listed for wet locations.

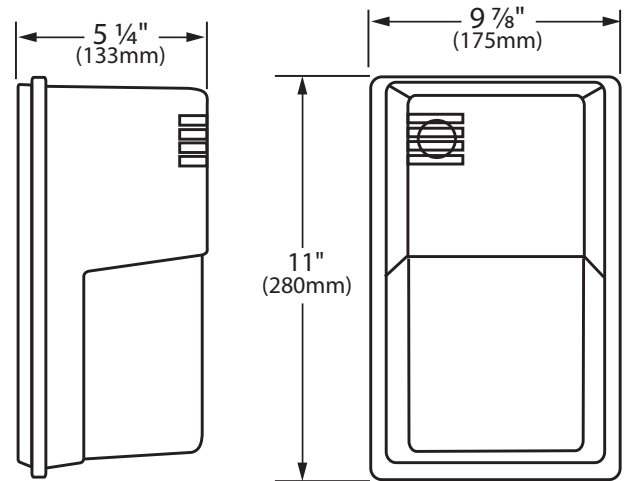
### WARRANTY:

Guaranteed for 3 year against mechanical defects in manufacturing.

\*\*\* SPECIFICATIONS SUBJECT TO CHANGE WITHOUT NOTICE\*\*\*



### DIMENSIONS DATA



### ORDERING INFORMATION

CATALOG#	DESCRIPTION	VOLTAGE	INPUT POWER
CYCLED10W	10 WATT LED	120-277VAC	26 WATTS