



TAMLITE LIGHTING

660 NW Peacock Blvd. Port St. Lucie, FL 34986
tel: (772) 878-4944 or on the web at www.tamliteusa.com

SPECIFICATION & FEATURES

HOUSING:

The Cyclops Polycarbonate (CYC) Series has a die-cast aluminum housing, bronze powdercoat finish.

REFLECTOR:

Formed aluminum reflector

LENS:

Molded prismatic surface polycarbonate lens with gasket.

SOCKET:

HID: Porcelain 4KV pulse rated medium base socket with nickel-plated screw shell.

PL: Plug-in type, 2 Pin, GX23Q-2 (CYC1X26DL)

PL: Plug-in type, 4 Pin, GX24Q-4 (CYC1X32DL, CYC1X42DL)

MOUNTING:

Has cast-in template for mounting directly over a 4" recessed outlet box or use 1/2" surface mount conduit connection.

SOURCE / WATTAGE:

High Pressure Sodium: 35W to 70W

Compact Fluorescent: 26W to 42W (1x26, 1x32, 1x42)

120-277V electronic ballast

LISTING & RATINGS:

UL or CSA: Listed for wet locations.

WARRANTY:

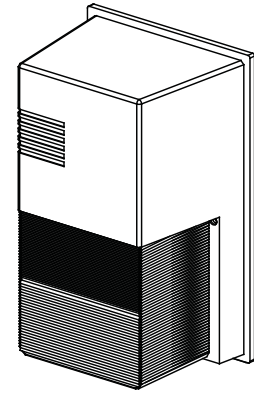
Guaranteed for one year against mechanical defects in manufacturing.

*** SPECIFICATIONS SUBJECT TO CHANGE WITHOUT NOTICE***

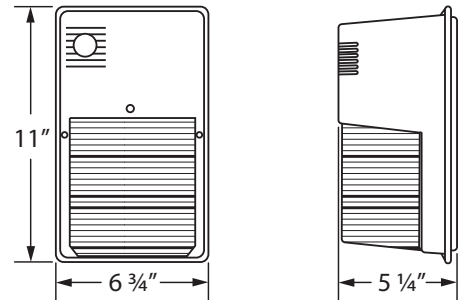
Catalog Number
Notes
Job/Title

CYC

Cyclops Polycarbonate wall pack



DIMENSIONS DATA



Max. Weight 6 lbs.

ORDERING INFORMATION (HID)

CATALOG#	DESCRIPTION	VOLTAGE	BALLAST
HIGH PRESSURE SODIUM			
CYCHPA35L	35 WATT HPS	120	R-NPF
CYCHPA50L	50 WATT HPS	120	R-NPF
CYCHPA70L	70 WATT HPS	120	R-NPF
Lamp(s) included			

NOTES:

CONSULT FACTORY FOR BALLAST INFORMATION

ORDERING INFORMATION (FLUORESCENT)

CATALOG#	DESCRIPTION	VOLTAGE	BALLAST
CYC1X26DL ¹	26 WATT PL	120-277	ELECTRONIC
CYC1X32DL ¹	32 WATT PL	120-277	ELECTRONIC
CYC1X42DL ¹	42 WATT PL	120-277	ELECTRONIC
¹ Battery back-up available by adding "B1" to end of part code for 120V or "B2" for 277V.			
Lamp(s) included			

NOTES:

Electronic fluorescent ballasts are high power factor, Class P insulation, 120-277V, and have a starting temperature of 0° F (-18° C).

Battery backup provides up to 90 minutes of power for two (2) lamps (depending on wattage), and has an operating temperature range of 32° to 122° F (0° to +50° C).

CONSULT FACTORY FOR BALLAST INFORMATION