



TAMLITE LIGHTING

660 NW Peacock Blvd. Port St. Lucie, FL 34986
tel: (772) 878-4944 or on the web at www.tamliteusa.com



SPECIFICATION & FEATURES

Catalog Number
Notes
Job/Title

DESCRIPTION:

DL106R is a 6" aperture remodel housing for one vertical Incandescent lamp UL, C-UL listed for damp location. The DL106R is thermally protected against misuse of insulation materials and improper lamping. The DL106R offers a choice of trim types including baffle, reflector, lensed and eyeball trims.

HOUSING/MOUNTING FRAME:

The DL106R housing for remodel application where back side of ceiling is not accessible. Installs through an opening in the ceiling from below. Secured in place by factory installed remodel springs. Design for use in non-insulated areas. If installed where insulation is present, the insulation must be pulled back 3" from all sides of the DL106R housing.

LAMPING/SOCKET:

150W Max., 120V (Lamp wattage based on trim). Adjustable socket mounting plate for proper positioning of different lamp types.

JUNCTION BOX:

J-box is listed for through-branch circuit wiring (5)11/16" knockouts, and (4) knockouts with Romex cable lamp. Ground wire is provided.

COMPLIANCE:

UL, C-UL listed for damp location.

WARRANTY:

Guaranteed one year from the purchase date of the product, against mechanical defects in manufacturing.

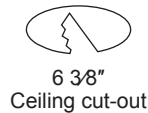
*** SPECIFICATIONS SUBJECT TO CHANGE WITHOUT NOTICE***

DL106R

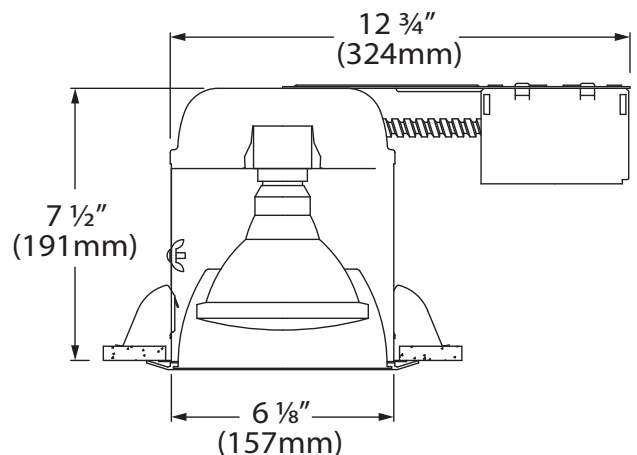
6" NON-IC Type Housing for Remodel Line Voltage



SPECIFICATIONS



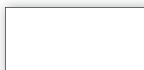
6 3/8"
Ceiling cut-out



ORDERING INFORMATION

DL106R

Sample Part Code: DL106R



SERIES

DL106R: NON-IC Rated, Remodel Housing