



TAMLITE LIGHTING

660 NW Peacock Blvd. Port St. Lucie, FL 34986
tel: (772) 878-4944 or on the web at www.tamliteusa.com



SPECIFICATION & FEATURES

Catalog Number
Notes
Job/Title

DESCRIPTION:

DLH104 is a 4" aperture new work housing for one MR-16 halogen lamp UL, C-UL listed for damp location. The DLH104 is not IC rated, it is thermally protected against misuse of insulation materials and improper lamping. The DLH104 is designed for use in non-insulated areas. If installed where insulation is present, the insulation must be pulled back 3" from all sides of the housing. The DLH104 offers a choice of trim types including baffle, reflector, lensed, and eyeball trims.

HOUSING/MOUNTING FRAME:

The DLH104 is a 4" new work fixture the mounting frame is made of galvanized steel is 8" L x 5 1/2" W. The housing adjusts for ceilings up to 1 1/4" thick. The pre-installed bar hangers allow the housing to be positioned at any point within a 24" joist span. Bar hangers are designed to fit T-bar spine without additional clamps for use in a drop ceiling.

LAMPING/SOCKET:

50W Max., 12V GU5.3 base MR-16 (Lamp wattage based on trim). Adjustable socket mounting plate for proper positioning of different lamp types. Uses 120V to 12V magnetic transformer or an optional 277V to 12V magnetic transformer.

JUNCTION BOX:

J-box is listed for through-branch circuit wiring (5)11/16" knockouts, and (4) knockouts with Romex cable lamp. Ground wire is provided.

COMPLIANCE:

UL, C-UL listed for damp location.

WARRANTY:

Guaranteed one year from the purchase date of the product, against mechanical defects in manufacturing.

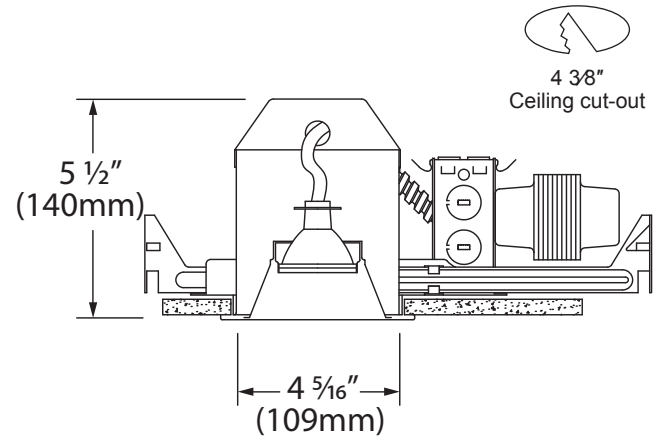
*** SPECIFICATIONS SUBJECT TO CHANGE WITHOUT NOTICE***

DLH104

4" NON-IC Type Housing for New Work Low Voltage



DIMENSIONS DATA



ORDERING INFORMATION

DLH104

Sample Part Code: DLH104



SERIES

DLH104: NON-IC Rated, New Work Housing



OPTION

BLANK: 120V to 12V magnetic transformer
27: 277V to 12V magnetic transformer