



# TAMLITE LIGHTING

660 NW Peacock Blvd. Port St. Lucie, FL 34986  
tel: (772) 878-4944 or on the web at [www.tamliteusa.com](http://www.tamliteusa.com)



## SPECIFICATION & FEATURES

Catalog Number
Notes
Job/Title

### DESCRIPTION:

DLH304 is a 4" aperture new work housing for one MR-16 halogen lamp UL, C-UL listed for damp location. The DLH304 is not IC rated, it is thermally protected against misuse of insulation materials and improper lamping. The DLH304 is designed for use in non-insulated areas. If installed where insulation is present, the insulation must be pulled back 3" from all sides of the housing. The DLH304 offers a choice of trim types including baffle and reflector trims.

### HOUSING/MOUNTING FRAME:

The DLH304 is a 4" new work, The mounting frame is made of galvanized steel is 8" L x 5 1/2" W. The housing adjusts for ceilings up to 1 1/4" thick. The pre-installed bar hangers allow the housing to be positioned at any point within a 24" joist span. Bar hangers are designed to fit T-bar spine without additional clamps for use in a drop ceiling.

### LAMPING/SOCKET:

50W Max., 120V GU10 base MR-16 (Lamp wattage based on trim). Adjustable socket mounting plate for proper positioning of different lamp types.

### JUNCTION BOX:

J-box is listed for through-branch circuit wiring (5)11/16" knockouts, and (4) knockouts with Romex cable lamp. Ground wire is provided.

### COMPLIANCE:

UL, C-UL listed for damp location.

### WARRANTY:

Guaranteed one year from the purchase date of the product, against mechanical defects in manufacturing.

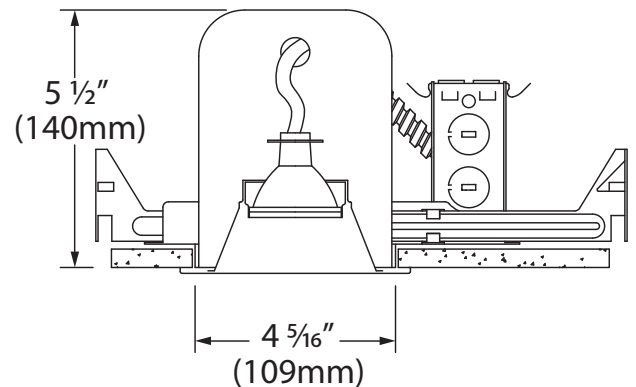
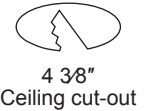
\*\*\* SPECIFICATIONS SUBJECT TO CHANGE WITHOUT NOTICE\*\*\*

# DLH304

## 4" NON-IC Type Housing for New Work Line Voltage



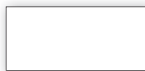
### DIMENSIONS DATA



### ORDERING INFORMATION

## DLH304

Sample Part Code: DLH304



**SERIES**

**DLH304:** NON-IC Rated, New Work Housing