



TAMLITE LIGHTING

660 NW Peacock Blvd. Port St. Lucie, FL 34986
tel: (772) 878-4944 or on the web at www.tamliteusa.com



SPECIFICATION & FEATURES

DESCRIPTION:

The ESDXR Series Thermoplastic 6V or 12V remote capable emergency light's design makes for easy installation on any industrial and commercial project.

CONSTRUCTION:

The ESDXR is injection molded, UV-stable thermoplastic, UL94V-0 flame rating, impact, scratch, fade and corrosion-resistant.

BATTERY:

The ESDXR Series uses 6-Volt or 12-Volt premium grade, pure lead, maintenance-free batteries. The 50W version uses two (2) batteries, 100W version uses four (4) batteries. The 50W and 100W versions will operate rated load for a minimum of 90 minutes in the event of a power outage.

HEADS:

The ESDXR has adjustable, glare-free PAR-Type lamp heads. The 6V and 12V model comes standard with 7.2W lamps.

ELECTRICAL:

Dual 120V/277V voltage Rated for use in damp locations has AC power indicator and LVD (low voltage disconnect) prevents battery from deep discharge. Fully automatic solid-state, two-rate charger initiates battery charging to recharge a discharged battery in 24 hours. Internal solid-state transfer switch automatically connects the internal battery to LED board for minimum 90-minute emergency illumination.

OPTIONS:

SD: Self-Diagnostic (option SD) continually diagnoses unit's performance and tests system (auto battery discharge once every 30 days and once every 12 months) to ensure reliable operation and to meet electrical and life safety codes.

CODE COMPLIANCE:

UL listed for damp locations & meets UL924, NFPA 101 Life Safety Code compliant, NEC and OSHA compliant.

MOUNTING:

Includes backplate with universal mounting pattern knockouts for simple back mounting.

WARRANTY:

Guaranteed for five year against mechanical defects in manufacturing. Batteries are pro-rated warranted for 5 years.

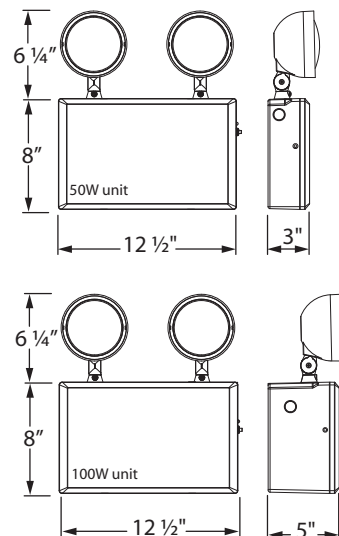
*** SPECIFICATIONS SUBJECT TO CHANGE WITHOUT NOTICE***

Catalog Number
Notes
Job/Title

ESDXR Series 6V or 12V Emergency Lights



DIMENSIONS DATA



ORDERING INFORMATION

ESDXR

Sample Part Code: ESDXR65

