



TAMLITE LIGHTING

660 NW Peacock Blvd Port St Lucie FL 34986
tel (772) 878-4944 or on the web at www.tamliteusa.com

SPECIFICATIONS & FEATURES

| |
|----------------|
| Catalog Number |
| Notes |
| Job/Title |

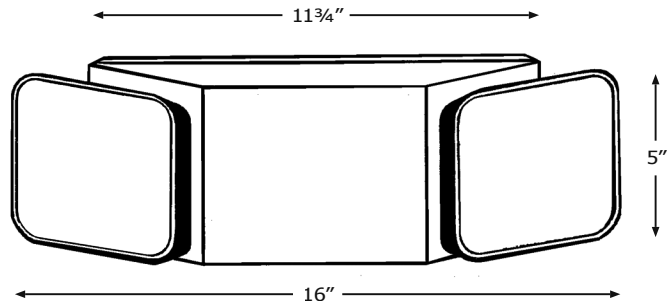
ESR-1HO

DESCRIPTION

This compact design is ideal for commercial, institutional, and industrial applications. Installation and maintenance is made simple in an attractive package.

CONSTRUCTION

- Injection molded, V-O flame retardant, high impact, corrosion-proof Thermoplastic Housing
- Universal mounting plate with "EZ" quick connect for rapid labor saving installation
- Push to test switch
- UL listing for damp locations
- Fully adjustable lighting heads
- snap together construction
- Charge rate/power on LED indicator light



ELECTRICAL

- Sealed maintenance-free lead-calcium battery provides 16 watts rated capacity
- 24 hour battery recharge after a 90 hour discharge.
- Low-voltage disconnect prevents excessively deep discharge that can permanently damage the battery
- Slip-on battery terminals

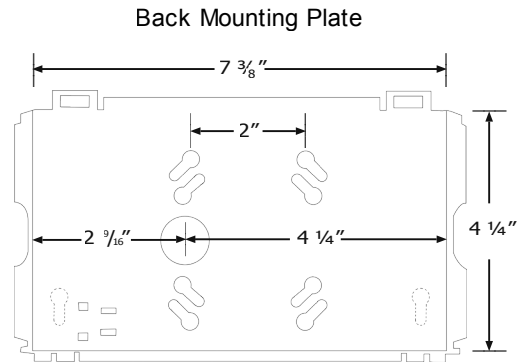
FINISH

- Clean, contemporary housing with "Soft Corners"
- Ivory white housing comes standard, black is also available

WARRANTY

Guaranteed one year from the purchase date of the product, against mechanical, defects in manufacture defaults.

MOUNTING DATA



ORDERING INFORMATION

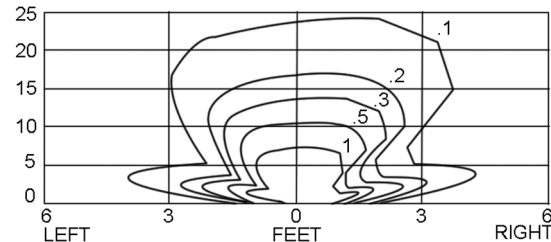
- ESR-1HO
standard 2 head remote capable emergency light white housing
- ESR-1HOB
standard 2 head remote capable emergency light black housing

ACCESSORIES

- EXBG-1 LEXAN GUARD
- EXWG-1 WIRE GUARD

PHOTOMETRIC DATA

HORIZONTAL



VERTICAL

