



TAMLITE LIGHTING

660 NW Peacock Blvd. Port St. Lucie, FL 34986
tel: (772) 878-4944 or on the web at www.tamliteusa.com

SPECIFICATION & FEATURES

Catalog Number
Notes
Job/Title

ESR-7 Series Flush Mount Emergency Light

DESCRIPTION:

The ESR-7 Series has adjustable emergency lights. It mounts flush with the ceiling for a concealed, unobtrusive look. Works well in application that require adjustability and when wall mounting is undesired or not practical.

CONSTRUCTION:

The ESR-7: Heavy duty, 20-gauge die-formed steel faceplate, corrosion resistant powdercoat paint in a white finish. Injection molded, V-0 flame retardant, thermoplastic lighting heads.

ILLUMINATION:

The ESR-7 Series is supplied with 6V, 5.4W incandescent wedge base lamps. High-performance smooth thermoplastic reflector and tempered glass lens for optimal light distribution and resistance to discoloration.

ELECTRICAL:

Dual 120V/277V voltage Rated for use in damp locations has AC power indicator and LVD (low voltage disconnect) prevents battery from deep discharge. Fully automatic solid-state, two-rate charger initiates battery charging to recharge a discharged battery in 24 hours. Internal solid-state transfer switch automatically connects the internal battery to LED board for minimum 90-minute emergency illumination. Long-life, maintenance-free, rechargeable Sealed Lead Acid battery.

OPTIONS:

SD: Self-Diagnostic continually diagnoses unit's performance and tests system (auto battery discharge once every 30 days and once every 12 months) to ensure reliable operation and to meet electrical and life safety codes.

CODE COMPLIANCE:

UL listed for damp locations & meets UL924, NFPA 101 Life Safety Code compliant, NEC and OSHA compliant.

MOUNTING:

Pre-installed bar hangers allow the housing to be positioned at any point within a 24" joist span. Bar hangers are designed to fit T-bar spine without additional clamps for use in a drop ceiling.

WARRANTY:

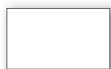
Guaranteed for five year against mechanical defects in manufacturing. Batteries are pro-rated warranted for 5 years.

*** SPECIFICATIONS SUBJECT TO CHANGE WITHOUT NOTICE***

ORDERING INFORMATION

ESR-7

Sample Part Code: ESR-7



SERIES

ESR-7: ESR-7 Series

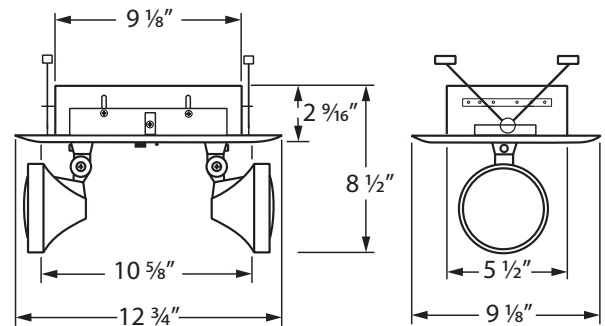


OPTIONS

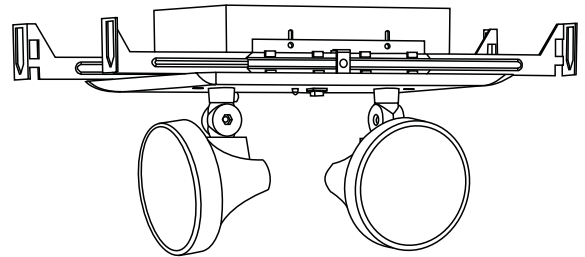
BLANK: No options
SD: Self Diagnostics



DIMENSIONS DATA



MOUNTING



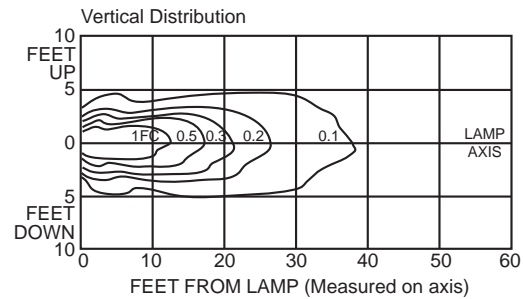
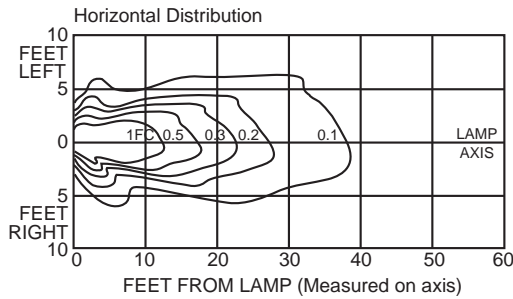


SPECIFICATION & FEATURES

ESR-7 Series Flush Mount Emergency Light

PHOTOMETRIC DATA

6V, 5.4W Tungsten Wedge Base Lamp (ANSI 939), Round Head.



BATTERY DATA

Lead Calcium battery are warranted for one full year with additional 4 years pro-rated warranty. Recharges in 24 hours or less (Replacement battery BL930007)

Type	Battery Voltage	Shelf Life ¹	Expected Life ¹	Temperature Range ²
SLA - Sealed Lead Acid	6V, 4.5Ah	15 months	5-8 years	40°F-95°F

¹ At 77°F
² To obtain rated life and capacity.

ENGINEERING DATA

	INPUT VOLTAGE	MAX. AMPS	MAX. WATTS
ESR-7	120	0.12	13.6
ESR-7	277	0.06	17.1

Application and Performance Specification Information is Subject to Change Without Notification