



TAMLITE LIGHTING

660 NW Peacock Blvd. Port St. Lucie, FL 34986
tel: (772) 878-4944 or on the web at www.tamliteusa.com



SPECIFICATION & FEATURES

Catalog Number
Notes
Job/Title

DESCRIPTION:

Lay-Ins' high bay fixtures are designed to meet your industrial lighting requirements. Available in 4, 6, and 8 lamp, T5 and T8, configurations, with an aluminum high reflectance polished reflector, the Lay-Ins high bay fixture offers maximum performance to serve today's industrial requirements with the benefit of energy savings.

CONSTRUCTION:

Hot dipped galvanized uni-body construction with built-in tabs for structural integrity. Hinged reflector allows access to the electrical components without removal of any lamps. PAF (painted after fabrication) for consistent finish, safe handling, and corrosion resistance. All fixtures come with factory installed power disconnect. All fixtures are 100% tested at the factory.

ELECTRICAL SYSTEM:

T8 Ballast Information:

Standard ballast is electronic instant start, thermally protected, resetting, Class P, non-PCB, UL listed, and sound rated A.

T5 Ballast Information:

Standard ballast is electronic program start, thermally protected, resetting, Class P, non-PCB, UL listed, and sound rated A.

LISTING:

Fixtures are UL Listed and suitable for damp locations.

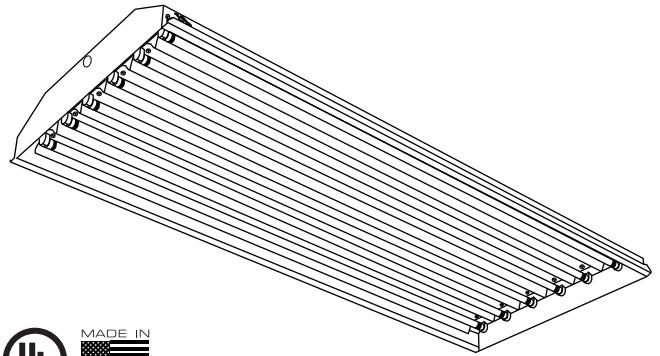
WARRANTY:

Guaranteed one year from the purchase date of the product, against mechanical defects in manufacturing.

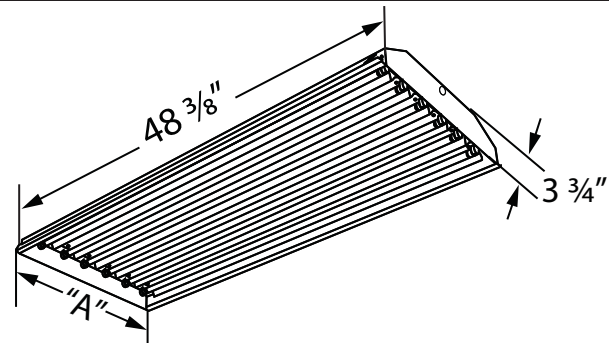
*** SPECIFICATIONS SUBJECT TO CHANGE WITHOUT NOTICE***

HOR Series

4/6/8 Lamp Fluorescent High Bay T5/T8



DIMENSIONS DATA



Dimension "A"

4 Lamp: 14"

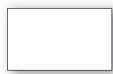
6 Lamp: 20"

8 Lamp: 26"

ORDERING INFORMATION

HOR Series: 4/6/8 Lamp Fluorescent High Bay T5/T8

Sample Part Code: HORT5654MVL



SERIES
HOR



LAMP TYPE
T5
T8



LAMP QTY
4: 4 Lamp
6: 6 Lamp
8: 8 Lamp



LAMP WATTAGE
32: 32W T8
54: 54W T5HO



VOLTAGE
Z: 480V
MV: 120-277V



LAMPS INSTALLED
Blank: No Lamps
L735: CRI±70 3500K
L741: CRI±70 4100K
L750: CRI±70 5000K
L835: CRI±80 3500K
L841: CRI±80 4100K
L850: CRI±80 5000K
(Standard T5-841K)
(Standard T8-741K)
Include Lamps¹



OPTIONS
Blank: No Options
E: Emergency Ballast²
F: Fused
OS: Occupancy Sensor
Cord & Plug²
Factory Installed

¹ - Please specify lamp CRI/Kelvin temperature when placing purchase order.

² - Consult factory for available options.