



TAMLITE LIGHTING

660 NW Peacock Blvd. Port St. Lucie, FL 34986

tel: (772) 878-4944 or on the web at www.tamliteusa.com



SPECIFICATION & FEATURES

Catalog Number
Notes
Job/Title

DESCRIPTION:

IC706RAT is a 6" aperture remodel housing for one vertical Incandescent lamp ETL listed for damp location. The IC706RAT is thermally protected against misuse of insulation materials and improper lamping. The IC706RAT is designed for insulated ceilings and can be in direct contact with insulation. The IC706RAT offers a choice of trim types including baffle, reflector, lensed and eyeball trims.

HOUSING/MOUNTING FRAME:

The IC706RAT housing for remodel application where back side of ceiling is not accessible. Installs through an opening in the ceiling from below. Secured in place by factory installed remodel springs. The 7 1/2" height allows to use in 2" x 8" joist construction.

LAMPING/SOCKET:

100W Max., 120V (Lamp wattage based on trim). Adjustable socket mounting plate for proper positioning of different lamp types.

JUNCTION BOX:

J-box is listed for through-branch circuit wiring (5)11/16" knockouts, and (4) knockouts with Romex cable lamp. Ground wire is provided.

COMPLIANCE:

ETL listed for damp location.
Certified Air-Tight under ATM-E283.

WARRANTY:

Guaranteed one year from the purchase date of the product, against mechanical defects in manufacturing.

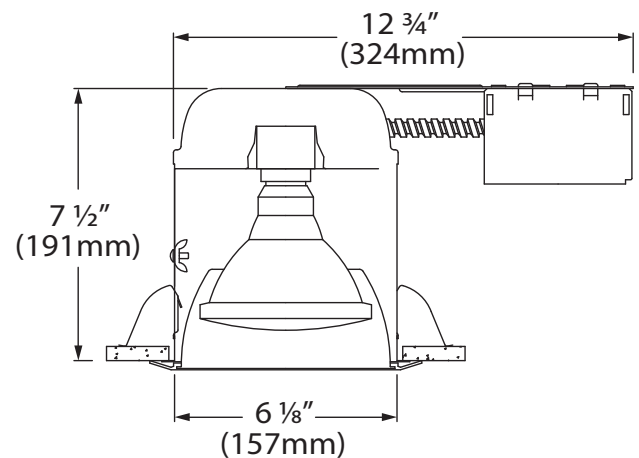
*** SPECIFICATIONS SUBJECT TO CHANGE WITHOUT NOTICE***

IC706RAT

6" IC Type Housing for Remodel Line Voltage



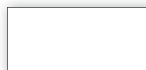
SPECIFICATIONS



ORDERING INFORMATION

IC706RAT

Sample Part Code: IC706RAT



SERIES

IC706RAT: IC Rated, Remodel Housing