



TAMLITE LIGHTING

660 NW Peacock Blvd. Port St. Lucie, FL 34986
tel: (772) 878-4944 or on the web at www.tamliteusa.com



SPECIFICATION & FEATURES

Catalog Number
Notes
Job/Title

DESCRIPTION:

IC806 is a 6" aperture sloped housing for one vertical Incandescent lamp, UL, C-UL listed for damp location. The IC806 is designed for insulated ceilings and can be in direct contact with insulation. It is thermally protected against misuse of insulation materials and improper lamping. The IC806 offers a choice of trim types including baffle, reflector and eyeball trims.

HOUSING/MOUNTING FRAME:

6", new work, Mounting frame of galvanized steel is 7 5/8" W x 12" L. The housing adjusts for ceilings up to 1 1/4" thick. Adjustable socket mounting plate for proper positioning of different lamp types. Sloped housing accommodates ceilings at 2/12 to 6/12 pitch (approximately 10° to 30°).

BAR HANGERS:

Pre-installed bar hangers allow the housing to be positioned at any point within a 24" joist span. The bar hangers can be turned 90° on the plaster frame. Bar hangers are designed to fit T-bar spine without additional clamps for use in a drop ceiling.

LAMPING/SOCKET:

75W Max., 120V (Lamp wattage based on trim). Adjustable socket mounting plate for proper positioning of different lamp types.

JUNCTION BOX:

J-box is listed for through-branch circuit wiring (5)11/16" knockouts, and (4) knockouts with Romex cable lamp. Ground wire is provided.

COMPLIANCE:

UL, C-UL listed for damp location.

WARRANTY:

Guaranteed one year from the purchase date of the product, against mechanical defects in manufacturing.

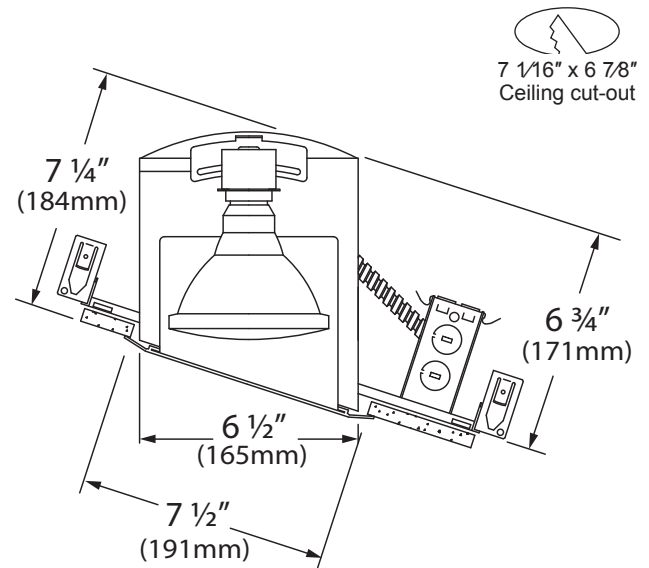
*** SPECIFICATIONS SUBJECT TO CHANGE WITHOUT NOTICE***

IC806

6" Sloped IC Type Housing for New Work Line Voltage



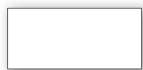
SPECIFICATIONS



ORDERING INFORMATION

IC806

Sample Part Code: IC806



SERIES

IC806: IC Rated, Sloped Housing