



FLUORESCENT

TAMLITE LIGHTING

660 NW Peacock Blvd. Port St. Lucie, FL 34986
tel: (772) 878-4944 or on the web at www.tamliteusa.com

SPECIFICATION & FEATURES

Catalog Number
Notes
Job/Title

APPLICATIONS:

The Industrial Standard Strip (INDI or INDS) is suitable for general purpose lighting in a wide variety of environments that requires high lumen levels. The incorporated industrial reflector provides directional lighting. Some examples of ideal applications would be retail lighting, industrial and warehouse spaces. (INDS is suitable for applications requiring upright)

CONSTRUCTION:

Housing is formed from 23 gauge cold rolled steel for exceptional strength and durability. The body is a one piece folded construction.

FINISH:

Powder coat painted after fabrication. Three-stage iron phosphate pretreatment a maximum paint adhesion and rust inhibitors provides safe handling and corrosion protection. Parts are finished in a high reflectance white lighting grade baked enamel.

ELECTRICAL:

CONSULT FACTORY FOR BALLAST INFORMATION

WARRANTY:

Guaranteed one year from the purchase date of the product, against mechanical defects in manufacturing.

*** SPECIFICATIONS SUBJECT TO CHANGE WITHOUT NOTICE***

ORDERING INFORMATION

INDI

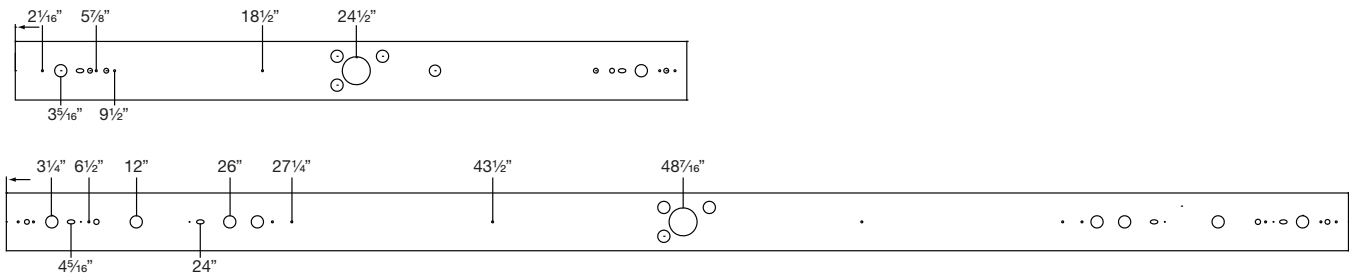
Sample Part Code: INDI2454D

SERIES	LAMP QTY	LENGTH	LAMP WATTAGE	VOLTAGE	EMERGENCY BALLAST
INDI: Industrial Strip INDS: Industrial Slotted Reflector	1: 1 Lamp 2: 2 Lamp 4: 4 X 4 ft Lamp (4: = 8 ft. Tandem)	4: 4' 8: 8'* *Two 4' Reflectors	28: 28W T5 32: 32W T8 44: 44W T8HO 8 FT LAMPS ONLY 110: 110W T12HO 59: 59W T8	54: 54W T5HO 60: 60W T12HO A: 120 B: 277V D: 120-277	BLANK: No options B1: 500 lumens 1 lamp B2: 1400 lumens 1 lamp B3: 1400 lumens 2 lamp** Factory Installed **T8 only

LAMP CONFIGURATION



MOUNTING INFORMATION

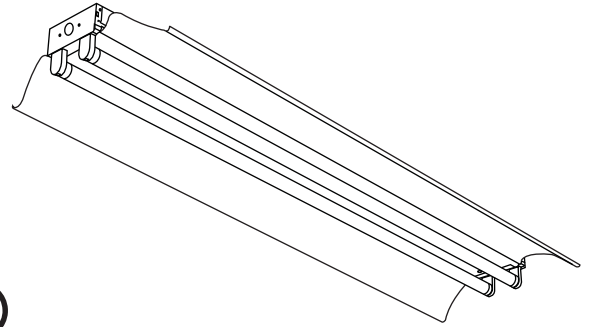


Application and Performance Specification Information is Subject to Change Without Notification

FLU2010V2

INDI

Industrial Standard Strip Series



SPECIFICATIONS

	4'	8'
LENGTH:	48"	96"
WIDTH:	11 1/4"	11 1/4"
DEPTH:	4"	4"