



# TAMLITE LIGHTING

660 NW Peacock Blvd. Port St. Lucie, FL 34986  
tel: (772) 878-4944 or on the web at [www.tamliteusa.com](http://www.tamliteusa.com)

## SPECIFICATION & FEATURES

### HOUSING:

Die-cast aluminum housing and hinged front frame, coin plugs with O-rings for 1/2" conduit and photocell, bronze powdercoat finish.

### REFLECTOR:

Formed aluminum reflector

### LENS:

Tempered flat clear glass lens

### SOCKET:

Porcelain 5KV pulse rated mogul base socket with nickel-plated screw shell.

### MOUNTING:

Mount with two-piece trunnion bracket (standard), or optional adjustable 2 3/8" swivel pole top fitter (sw) with angle indicators.

### SOURCE / WATTAGE:

High Pressure Sodium: 1000W  
Metal Halide: 1000W  
Pulse Start Metal Halide: 750W to 1000W  
Induction: 120W to 200W

### LISTING & RATINGS:

UL or CSA: Listed for wet locations.

### WARRANTY:

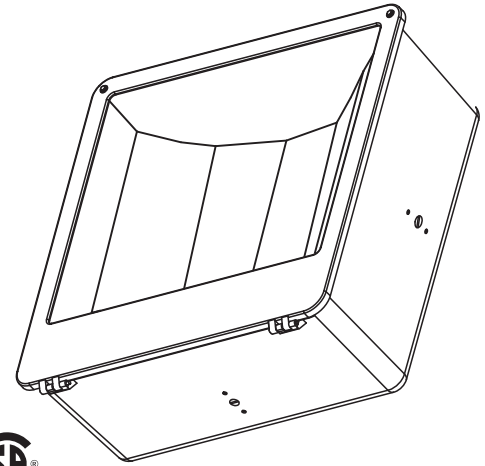
Guaranteed for one year against mechanical defects in manufacturing

\*\*\* SPECIFICATIONS SUBJECT TO CHANGE WITHOUT NOTICE\*\*\*

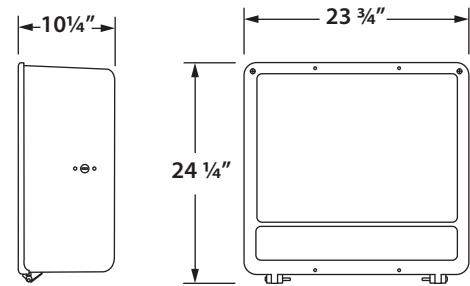
Catalog Number
Notes
Job/Title

# LF

## Large Flood 23"

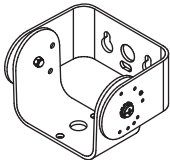


### DIMENSIONS DATA

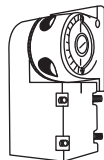


Max. Weight 74 lbs.

### MOUNTING OPTIONS



**TRUNNION MOUNT**  
(XLF BR)  
**STANDARD**



**SWIVEL POLE TOP FITTER**  
(XLF SW)

Optional adjustable 2 3/8" swivel pole top fitter for tenon mounting. Add "SW" to end of part code when ordering.

### ACCESSORIES

CATALOG#	DESCRIPTION
XLF DOOR	Replacement Door & Glass
XLFWG	Wire Guard Kit
XLFGS KIT	Glare Shield
XLF SW	2 3/8" Swivel Pole Top Fitter
XLF BR	Trunnion Bracket (Comes Standard)



## SPECIFICATION & FEATURES

# LF

Large Flood 23"

### ORDERING INFORMATION (HID)

CATALOG#	DESCRIPTION	VOLTAGE	BALLAST
<b>HIGH PRESSURE SODIUM</b>			
LFHPQ1000L	1000 WATT HPS	120/208/240/277	CWA
LFHPE1000L	1000 WATT HPS	480	CWA
<b>METAL HALIDE</b>			
LFMHQ1000L	1000 WATT MH	120/208/240/277	CWA
LFMHE1000L	1000 WATT MH	480	CWA
LFMHF1000L	1000 WATT MH	120/208/240/277/480	CWA
<b>PULSE START METAL HALIDE</b>			
LFPQ750L	750 WATT PSMH	120/208/240/277	CWA
LFPQ875L	875 WATT PSMH	120/208/240/277	CWA
LFPQ1000L	1000 WATT PSMH	120/208/240/277	CWA
Lamp included			

**NOTES:**

\*\*\*CONSULT FACTORY FOR BALLAST INFORMATION\*\*\*

### ORDERING INFORMATION / SPECIFICATIONS (INDUCTION)

CATALOG#	VOLTAGE (60Hz)	WORKING FREQUENCY	CURRENT	POWER FACTOR	AMBIENT TEMP. RANGE
LF120120L	120 (90-150)	210 kHz	1.08 A	.98	-35° C / +50° C
LF120277L	277 (250-305)	210 kHz	.48 A	.90	-35° C / +50° C
LF150120L	120 (90-150)	210 kHz	1.35 A	.98	-35° C / +50° C
LF150277L	277 (250-305)	210 kHz	.64 A	.90	-35° C / +50° C
LF1200120L	120 (90-150)	210 kHz	1.86 A	.98	-35° C / +50° C
LF1200277L	277 (250-305)	210 kHz	.80 A	.90	-35° C / +50° C
Lamp included					

**NOTES:**

\*\*\*CONSULT FACTORY FOR DRIVER INFORMATION\*\*\*

### LAMP SPECIFICATIONS (INDUCTION)

WATTAGE	CRI	INITIAL LUMENS @ 120V or 277V	LAMP LIFE
120	80	9125	100,000 hrs.
150	80	11400	100,000 hrs.
200	80	16700	100,000 hrs.

Application and Performance Specification Information is Subject to Change Without Notification