



# TAMLITE LIGHTING

660 NW Peacock Blvd. Port St. Lucie, FL 34986  
 tel: (772) 878-4944 or on the web at [www.tamliteusa.com](http://www.tamliteusa.com)

## SPECIFICATION & FEATURES

### HOUSING:

Die-cast aluminum housing and frame, 1/2" coin plugs for photocell, textured architectural bronze powdercoat finish over a chromate conversion coating

### REFLECTOR:

Aluminum, choice of standard flood, forward throw, or cutoff (see "Ordering Information")

### LENS:

Tempered flat clear glass lens

### SOCKET:

Porcelain 5KV pulse rated mogul base with nickel-plated screw shell

### MOUNTING:

Mount with extruded aluminum arms on drilled poles, or mount with adjustable slipfitter on tenon mount poles (see "Ordering Information")

### ELECTRICAL:

High Pressure Sodium: 1000W  
 Metal Halide: 1000W  
 Pulse Start: 750W to 1000W

### LISTING & RATINGS:

CSA: Listed for wet locations.

### WARRANTY:

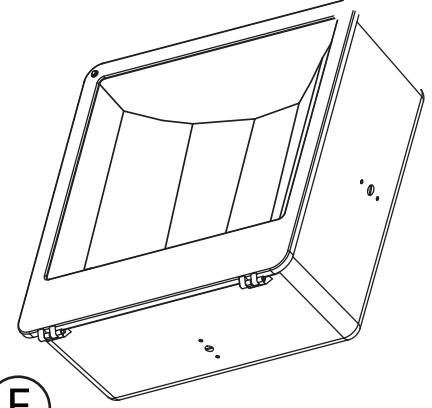
Guaranteed for one year against mechanical defects in manufacturing

\*\*\* SPECIFICATIONS SUBJECT TO CHANGE WITHOUT NOTICE\*\*\*

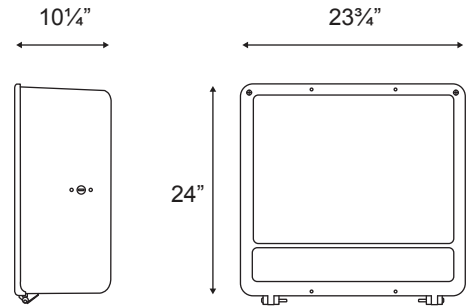
|                |
|----------------|
| Catalog Number |
| Notes          |
| Job/Title      |

# LL23

## 23" Lot Light

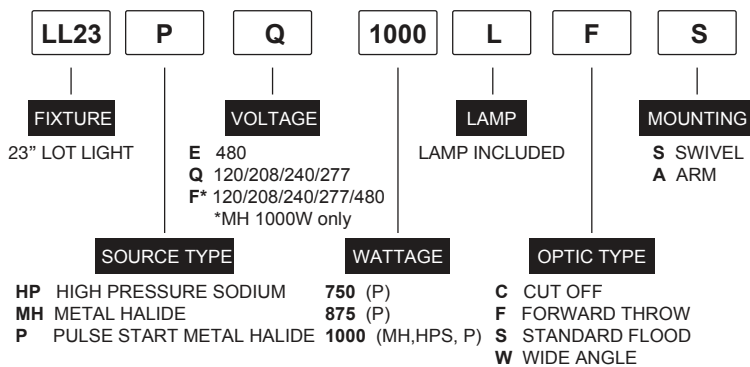


### DIMENSIONS DATA



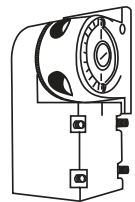
Max. Weight: 74 LBS.

### ORDERING INFORMATION



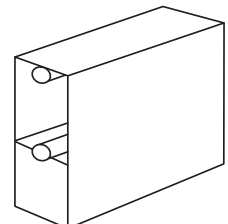
### TENON MOUNT SWIVEL (XLFSW)

Optional adjustable slipfitter for tenon mounting. Add "S" to end of part code when ordering.



### ARM MOUNT

Where extruded arm is required for mounting to square or round drilled poles, add an "A" in mounting box when ordering and order arm assembly separately.



Extruded arm comes complete with gaskets and hardware.

### EPA RATINGS



0° angle: 2.02



90° angle: 4.2