



# TAMLITE LIGHTING

660 NW Peacock Blvd. Port St. Lucie, FL 34986  
 tel: (772) 878-4944 or on the web at [www.tamliteusa.com](http://www.tamliteusa.com)

## SPECIFICATION & FEATURES

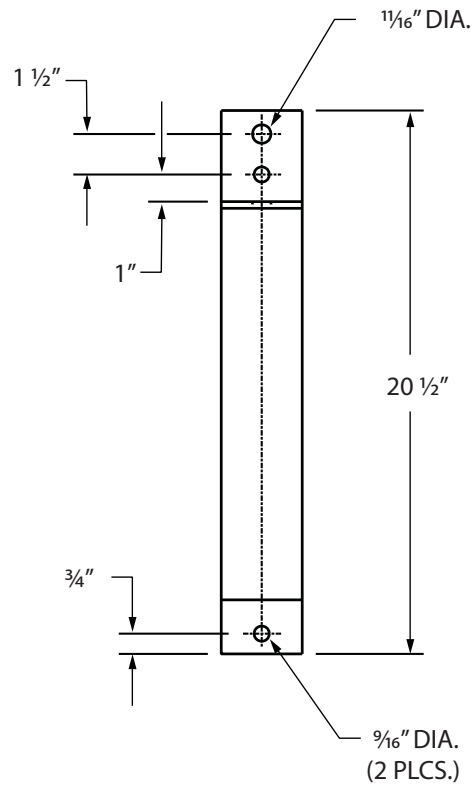
### ORDERING INFORMATION

CATALOG#	WEIGHT	EPA RATING	FINISH
LLSAB-DB	9 LBS.	0.1	DARK BRONZE

### WARRANTY:

Guaranteed for one year against mechanical defects in manufacturing

\*\*\* SPECIFICATIONS SUBJECT TO CHANGE WITHOUT NOTICE\*\*\*



Catalog Number
Notes
Job/Title

# LLSAB-DB

## Side Angle Wall Mount Bracket

