



TAMLITE LIGHTING

660 NW Peacock Blvd. Port St. Lucie, FL 34986
tel: (772) 878-4944 or on the web at www.tamliteusa.com

SPECIFICATION & FEATURES

HOUSING:

Die-cast aluminum housing and hinged front frame, coin plugs with O-rings for 1/2" conduit and photocell, bronze powder coat finish.

REFLECTOR:

Formed aluminum reflector

LENS:

Tempered flat clear glass lens

SOCKET:

HID: Porcelain 4KV pulse rated medium base or 5KV pulse rated mogul base, with nickel-plated screw shell.

MOUNTING:

Mount with two-piece trunnion bracket (standard), or optional adjustable 2 3/8" pole top fitter (swivel) with angle indicators.

SOURCE / WATTAGE:

High Pressure Sodium: 150W to 400W
Pulse Start Metal Halide: 150W to 400W
Induction: 80W and 100W

LISTING & RATINGS:

UL or CSA: Listed for wet locations.

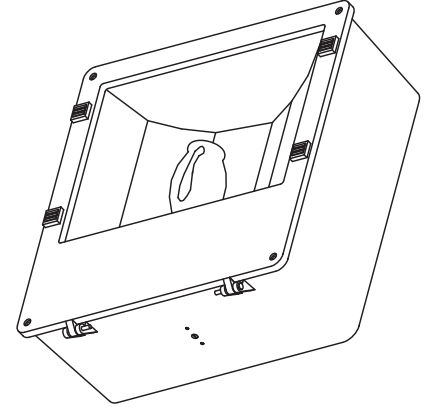
WARRANTY:

Guaranteed for one year against mechanical defects in manufacturing

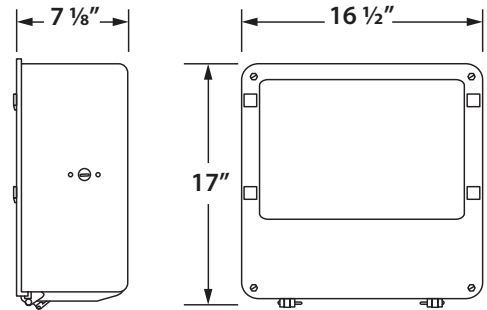
*** SPECIFICATIONS SUBJECT TO CHANGE WITHOUT NOTICE***

Catalog Number
Notes
Job/Title

LF
Large Flood 16"

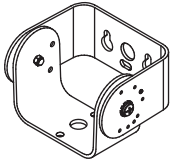


DIMENSIONS/MOUNTING DATA

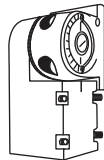


Max. Weight 36 lbs.

MOUNTING OPTIONS



TRUNNION MOUNT
(LFBR)
STANDARD



SWIVEL POLE TOP FITTER
(LFSW)

Optional adjustable 2 3/8" swivel pole top fitter for tenon mounting. Add "SW" to end of part code when ordering.

ACCESSORIES

CATALOG#	DESCRIPTION
LF DF	REPLACEMENT DOOR & GLASS
LFWG KIT	WIRE GUARD KIT
LFGS KIT	GLARE SHIELD
LFSW	2-3/8" POLE TOP FITTER SWIVEL
LFBR	TRUNNION BRACKET (COMES STANDARD)



TAMLITE LIGHTING



SPECIFICATION & FEATURES

LF

Large Flood 16"

ORDERING INFORMATION (HID)

CATALOG#	DESCRIPTION	VOLTAGE	BALLAST
HIGH PRESSURE SODIUM			
LFHPQ150L	150 WATT HPS	120/208/240/277	HX-HPF
LFHPQ250L	250 WATT HPS	120/208/240/277	CWA
LFHPE250L	250 WATT HPS	480	CWA
LFHPQ400L	400 WATT HPS	120/208/240/277	CWA
LFHPE400L	400 WATT HPS	480	CWA
PULSE START METAL HALIDE			
LFMHQ150L	150 WATT HPS	120/208/240/277	HX-HPF
LFPQ250L	250 WATT PSMH	120/208/240/277	CWA
LFPE250L	250 WATT PSMH	480	CWA
LFPQ320L	320 WATT PSMH	120/208/240/277	CWA
LFPE320L	320 WATT PSMH	480	CWA
LFPQ350L	350 WATT PSMH	120/208/240/277	CWA
LFPE350L	350 WATT PSMH	480	CWA
LFPQ400L	400 WATT PSMH	120/208/240/277	CWA
LFPE400L	400 WATT PSMH	480	CWA
Lamp included			

NOTES:

(E) Is on 250W to 400W pulse start metal halide only.

CONSULT FACTORY FOR BALLAST INFORMATION

ORDERING INFORMATION / SPECIFICATIONS (INDUCTION)

CATALOG#	VOLTAGE (60Hz)	WORKING FREQUENCY	CURRENT	POWER FACTOR	AMBIENT TEMP. RANGE
LF180120L	120 (90-150)	210 kHz	.74 A	.98	-35° C / +50° C
LF180277L	277 (250-305)	210 kHz	.32 A	.90	-35° C / +50° C
LF100120L	120 (90-150)	210 kHz	.90 A	.98	-35° C / +50° C
LF100277L	277 (250-305)	210 kHz	.39 A	.90	-35° C / +50° C
Lamp included					

NOTES:

CONSULT FACTORY FOR DRIVER INFORMATION

LAMP SPECIFICATIONS (INDUCTION)

WATTAGE	CRI	INITIAL LUMENS @ 120V or 277V	LAMP LIFE
80	80	6400	100,000 hrs.
100	80	7600	100,000 hrs.

Application and Performance Specification Information is Subject to Change Without Notification