



TAMLITE LIGHTING

660 NW Peacock Blvd. Port St. Lucie, FL 34986
tel: (772) 878-4944 or on the web at www.tamliteusa.com

SPECIFICATION & FEATURES

HOUSING:

Die-cast aluminum housing and hinged front frame, coin plugs with O-rings for 1/2" conduit and photocell, bronze powder coat finish.

REFLECTOR:

Formed aluminum reflector

LENS:

Tempered flat clear glass lens

SOCKET:

HID: Porcelain 4KV pulse rated medium base with nickel-plated screw shell.

MOUNTING:

Mount with two-piece trunnion bracket (standard), or optional adjustable 2 3/8" pole top fitter (swivel) with angle indicators.

SOURCE / WATTAGE:

High Pressure Sodium: 70W to 150W
Pulse Start Metal Halide: 70W to 150W
Induction: 40W

LISTING & RATINGS:

UL or CSA: Listed for wet locations.

WARRANTY:

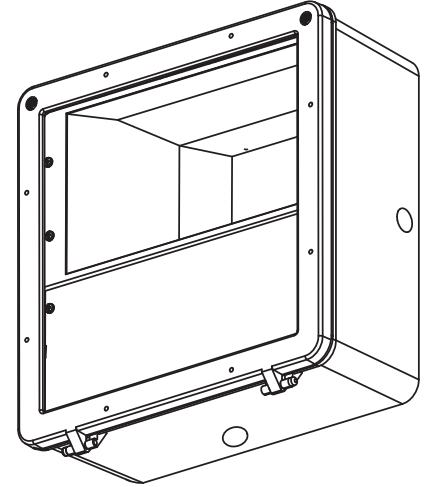
Guaranteed for one year against mechanical defects in manufacturing

*** SPECIFICATIONS SUBJECT TO CHANGE WITHOUT NOTICE***

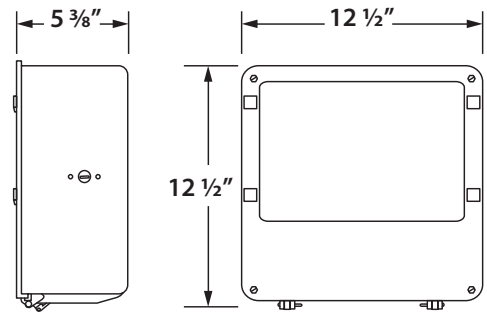
Catalog Number
Notes
Job/Title

LF

Large Flood 12"

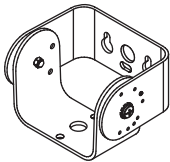


DIMENSIONS DATA

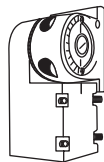


Max. Weight 23 lbs.

MOUNTING OPTIONS



TRUNNION MOUNT
(LFBR)
STANDARD



SWIVEL POLE TOP FITTER
(LFSW)

Optional adjustable 2 3/8" swivel pole top fitter for tenon mounting. Add "SW" to end of part code when ordering.

ACCESSORIES

CATALOG#	DESCRIPTION
LFSW	2-3/8" TENON MOUNT SWIVEL
LFBR	TRUNNION BRACKET (COMES STANDARD)



TAMLITE LIGHTING



SPECIFICATION & FEATURES

LF

Large Flood 12"

ORDERING INFORMATION (HID)

CATALOG#	DESCRIPTION	VOLTAGE	BALLAST
HIGH PRESSURE SODIUM			
LF12HPA70L	70 WATT HPS	120	R-NPF
LF12HPA100L	100 WATT HPS	120	R-NPF
LF12HPA150L	150 WATT HPS	120	R-NPF
LF12HPQ70L	70 WATT HPS	120/208/240/277	HX-HPF
LF12HPQ100L	100 WATT HPS	120/208/240/277	HX-HPF
LF12HPQ150L	150 WATT HPS	120/208/240/277	HX-HPF
PULSE START METAL HALIDE			
LF12MHQ70L	70 WATT MH	120/208/240/277	HX-HPF
LF12MHQ100L	100 WATT MH	120/208/240/277	HX-HPF
LF12MHQ150L	150 WATT MH	120/208/240/277	HX-HPF
Lamp included			

NOTES:

CONSULT FACTORY FOR BALLAST INFORMATION

ORDERING INFORMATION / SPECIFICATIONS (INDUCTION)

CATALOG#	VOLTAGE (60Hz)	WORKING FREQUENCY	CURRENT	POWER FACTOR	AMBIENT TEMP. RANGE
LF12I40120L	120 (90-150)	210 kHz	.38 A	.98	-35° C / +50° C
LF12I40277L	277 (250-305)	210 kHz	.16 A	.90	-35° C / +50° C
Lamp included					

NOTES:

CONSULT FACTORY FOR DRIVER INFORMATION

LAMP SPECIFICATIONS (INDUCTION)

WATTAGE	CRI	INITIAL LUMENS @ 120V or 277V	LAMP LIFE
40	80	2600	100,000 hrs.

Application and Performance Specification Information is Subject to Change Without Notification