



TAMLITE LIGHTING

660 NW Peacock Blvd. Port St. Lucie, FL 34986
tel: (772) 878-4944 or on the web at www.tamliteusa.com

SPECIFICATION & FEATURES

Catalog Number
Notes
Job/Title

HOUSING:

Heavy duty die-cast white aluminum housing, chromate conversion coating, electrical box with integral slotted adjustment to distribute weight when installing on sloped ceilings, malleable hook.

REFRACTOR:

22" acrylic

LENS:

22" acrylic drop lens

SOCKET:

Porcelain 5KV pulse rated mogul base socket with nickel-plated screw shell

MOUNTING:

Mount with included malleable hook (**HBHOOK**) or optional swivel pendant mounts (**HBSWVLRND** or **HBSWVLSQ**) sold separately, downrod to be provided by others

ELECTRICAL:

High Pressure Sodium: 250W to 400W
Pulse Start: 250W to 400W
Optional quartz restrike available, includes timed module, bracket with socket, and 150W quartz lamp (add "R" to end of part code)

LISTING & RATINGS:

CSA: Listed for dry locations

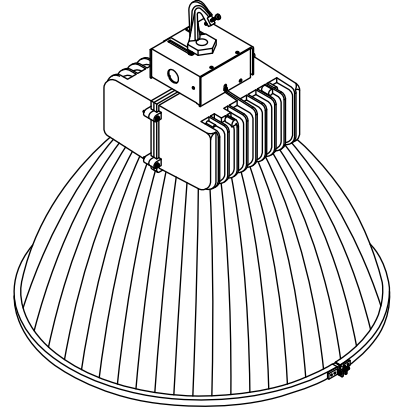
WARRANTY:

Guaranteed for one year against mechanical defects in manufacture

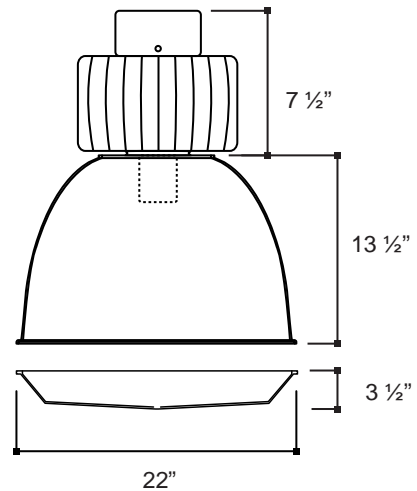
*** SPECIFICATIONS SUBJECT TO CHANGE WITHOUT NOTICE***

ACCESSORIES

CATALOG#	DESCRIPTION
HBSWVLSQ	3/4" PENDANT SWIVEL SQUARE BOX PLATE
HBSWVLRND	3/4" PENDANT SWIVEL ROUND BOX PLATE
HBHOOK	HIGH BAY HOOK (INCLUDED WITH FIXTURE)
HBSC10	10' ADJUSTABLE SAFETY CABLE
CORD120KT	36" 120V CORD, NEMA L5-15P PLUG
CORD250KT	36" 250V CORD, NEMA L6-15P PLUG
CORD277KT	36" 277V CORD, NEMA L7-15P PLUG



DIMENSIONS/MOUNTING DATA



Max. Weight: 29 LBS.

ORDERING INFORMATION

LB	P	Q	250	L	AC2	277	R
SERIES		VOLTAGE		LAMP		CORD KIT	
LB: LOW BAY		E: 480V Q: 120/208/240/277V		BLANK: NO LAMP L: LAMP INCLUDED		BLANK: NO CORD 120: 3' 120V CORD W/L5-15P PLUG 250: 3' 250V CORD W/L6-15P PLUG 277: 3' 277V CORD W/L7-15P PLUG	
	SOURCE		WATTAGE		REFRACTOR		RESTRIKE
	HP: HIGH PRESSURE SODIUM P: PULSE START METAL HALIDE		HIGH PRESSURE SODIUM 250 400 PULSE START METAL HALIDE 250 320 350 400		22" DIAMETER ACRYLIC REFRACTOR		BLANK: NO QUARTZ RESTRIKE R: 150W QUARTZ RESTRIKE WITH TIMED MODULE AND LAMP