



# TAMLITE LIGHTING

660 NW Peacock Blvd. Port St. Lucie, FL 34986  
tel: (772) 878-4944 or on the web at [www.tamliteusa.com](http://www.tamliteusa.com)

## SPECIFICATION & FEATURES

Catalog Number
Notes
Job/Title

### HOUSING:

Heavy duty die-cast white aluminum housing, chromate conversion coating, electrical box with integral slotted adjustment to distribute weight when installing on sloped ceilings, malleable hook.

### REFLECTOR:

22" white powdercoated aluminum with four keyhole slots for easy mounting

### LENS:

22" acrylic drop lens

### SOCKET:

Porcelain 5KV pulse rated mogul base socket with nickel-plated screw shell

### MOUNTING:

Mount with included malleable hook (**HBHOOK**) or optional swivel pendant mounts (**HBSWVLRND** or **HBSWVLSQ**) sold seperately, downrod to be provided by others

### ELECTRICAL:

High Pressure Sodium: 250W to 400W  
Pulse Start: 250W to 400W  
Optional quartz restrrike available, includes timed module, bracket with socket, and 150W quartz lamp (add "R" to end of part code)

### LISTING & RATINGS:

CSA: Listed for dry locations

### WARRANTY:

Guaranteed for one year against mechanical defects in manufacture

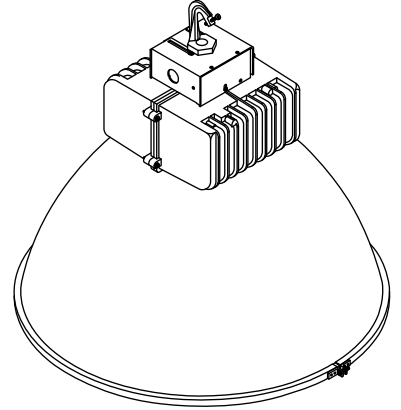
\*\*\* SPECIFICATIONS SUBJECT TO CHANGE WITHOUT NOTICE\*\*\*

### ACCESSORIES

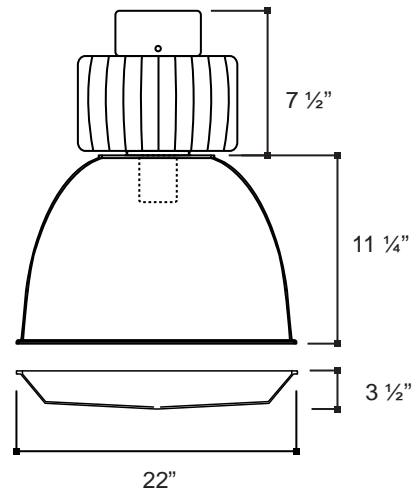
CATALOG#	DESCRIPTION
HBSWVLSQ	PENDANT SWIVEL, 3/4" PIPE, SQUARE PLATE
HBSWVLRND	PENDANT SWIVEL, 3/4" PIPE, ROUND PLATE
HBHOOK	HIGH BAY HOOK
HBHOOKSN	HIGH BAY HOOK SNAP
HBSC10	10FT SAFETY CABLE
CORD120KT	36" 120V CORD, STRAIN RELIEF, NEMA L5-15P PLUG
CORD250KT	36", 250V CORD, STRAIN RELIEF, NEMA L6-15P PLUG
CORD277KT	36", 277V CORD, STRAIN RELIEF, NEMA L7-15P PLUG

# LB

## 22" Aluminum Low Bay



### DIMENSIONS/MOUNTING DATA



Max. Weight: 27 LBS.

### ORDERING INFORMATION

