



# TAMLITE LIGHTING

660 NW Peacock Blvd. Port St. Lucie, FL 34986  
tel: (772) 878-4944 or on the web at [www.tamliteusa.com](http://www.tamliteusa.com)

## SPECIFICATION & FEATURES

### HOUSING:

Die-cast aluminum housing and hinged top frame, bronze powdercoat finish.

### REFLECTOR:

Formed aluminum reflector

### LENS:

Tempered flat clear glass lens

### SOCKET:

HID: Porcelain 4KV pulse rated medium base socket with nickel-plated screw shell.  
PL: Plug-in type, 4 Pin, GX24Q-4

### MOUNTING:

Adjustable knuckle with angle indicators and 1/2" NPT threads.

### ELECTRICAL:

High Pressure Sodium: 35W to 150W  
Metal Halide: 50W to 150W  
Compact Fluorescent: 26W to 64W (1x26, 1x32, 1x42,)(2x26, 2x32)  
120-277V electronic ballast

### LISTING & RATINGS:

CSA or UL: Listed for wet locations.

### WARRANTY:

Guaranteed for one year against mechanical defects in manufacturing

\*\*\* SPECIFICATIONS SUBJECT TO CHANGE WITHOUT NOTICE\*\*\*

### ORDERING INFORMATION (HID)

CATALOG#	DESCRIPTION	VOLTAGE	BALLAST
<b>HIGH PRESSURE SODIUM</b>			
MFFHPA35L	35 WATT HPS	120	R-NPF
MFFHPA50L	50 WATT HPS	120	R-NPF
MFFHPA70L	70 WATT HPS	120	R-NPF
MFFHPA100L	100 WATT HPS	120	R-NPF
MFFHPA150L	150 WATT HPS	120	R-NPF
MFFHPQ70L	70 WATT HPS	120/208/240/277	HX-HPF
MFFHPQ100L	100 WATT HPS	120/208/240/277	HX-HPF
MFFHPQ150L	150 WATT HPS	120/208/240/277	HX-HPF
<b>PULSE START METAL HALIDE</b>			
MFFMHQ50L	50 WATT MH	120/208/240/277	HX-HPF
MFFMHQ70L	70 WATT MH	120/208/240/277	HX-HPF
MFFMHQ100L	100 WATT MH	120/208/240/277	HX-HPF
MFFMHQ150L	150 WATT MH	120/208/240/277	HX-HPF
Lamp Included			

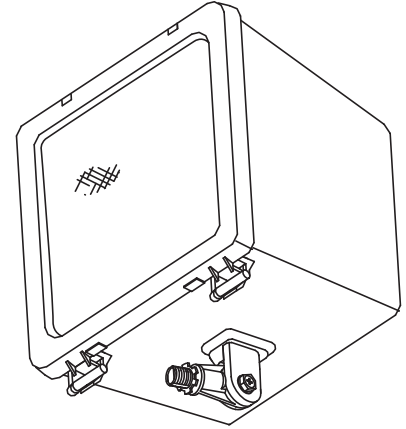
### ORDERING INFORMATION (FLUORESCENT)

CATALOG#	DESCRIPTION	VOLTAGE	BALLAST
MFF1X26DL	26 WATT PL	120-277	ELECTRONIC
MFF1X32DL	32 WATT PL	120-277	ELECTRONIC
MFF1X42DL	42 WATT PL	120-277	ELECTRONIC
MFF2X26DL	52 WATT PL	120-277	ELECTRONIC
MFF2X32DL	64 WATT PL	120-277	ELECTRONIC
Lamp(S) Included			

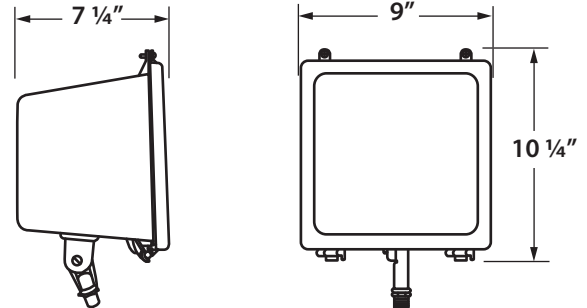
Catalog Number
Notes
Job/Title

# MFF

## Medium Flood



### DIMENSIONS/MOUNTING DATA



Max. Weight 14 lbs.

### ACCESSORIES

CATALOG#	DESCRIPTION
MFF FF	REPLACEMENT GLASS & FRAME
MFFWG KIT	WIRE GUARD KIT
MFFGS KIT	GLARE SHIELD
MFF PTF	2 3/8" - 3" POLE TOP FITTER (SWIVEL)
MFFLEX KIT	POLYCARBONATE GUARD KIT
GRSTK	GROUND STAKE

### NOTES:

Electronic fluorescent ballasts are high power factor, Class P insulation, 120-277V, and have a starting temperature of 0° F (-18° C).

\*\*\*CONSULT FACTORY FOR BALLAST INFORMATION\*\*\*