



TAMLITE LIGHTING

660 NW Peacock Blvd. Port St. Lucie, FL 34986
tel: (772) 878-4944 or on the web at www.tamliteusa.com



SPECIFICATION & FEATURES

CONSTRUCTION:

The MS series are constructed of corrosion resistant polycarbonate and pre-wired/pre-assembled for easy field installation.

ADJUSTABILITY:

The MS series offers tool-less sensor adjustments.

SENSOR:

The MS series features power-on test mode, manual override, sensitivity and time adjustment. Fixture works on the principles of passive infrared sensing ambient temperature will effect performance.

Power source: 120V/AC. 60Hz

Working temperature: -10°C to 40°C

Working humidity: < 93% RH

Max. Wattage: 1500W

LISTING & RATINGS:

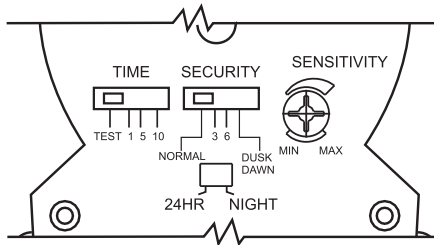
UL listed for Wet Location.

WARRANTY:

Guaranteed for one year against mechanical defects in manufacturing.

*** SPECIFICATIONS SUBJECT TO CHANGE WITHOUT NOTICE***

SENSOR CONTROL ADJUSTMENT



SECURITY	SENSOR	FUNCTION
NORMAL	24 HR	24 Hours are MS function
NORMAL	NIGHT	Dusk to dawn is MS, no function in daytime.
3 or 6	24 HR	MS function in daytime, after dusk light on 3 or 6 hours, then turns to MS function 3 or 6 only functioned after dark.
3 or 6	NIGHT	Light on in dusk automatically 3 or 6 Hours, then turn to MS function to dawn. No function in daytime.
DUSK/DAWN	24 HR	MS function in daytime. Automatically light on in dusk, turn off in dawn.
DUSK/DAWN	NIGHT	Light on from dusk to dawn automatically, no function in daytime.

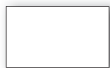
TEST:

For testing or using this motion sensor lighting fixture during daytime set the TIME switch to the TEST position, and set the SENSOR switch to 24 HR position, and set the SECURITY to the NORMAL position.

ORDERING INFORMATION

MS270

Sample Part Code: MS270WH



SERIES

MS270: 270° Motion Sensor



HOUSING COLOR

WH: White
BZ: Bronze

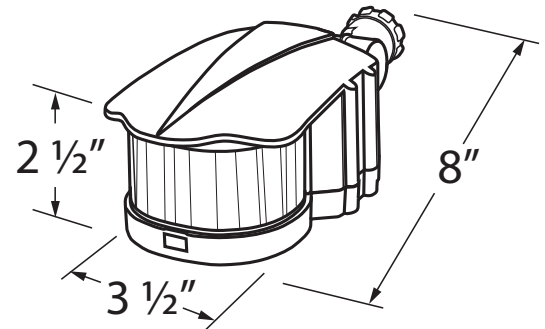
Catalog Number
Notes
Job/Title

MS Series

270° Sensor



DIMENSIONS DATA



SENSOR DETECTION DATA

