



# TAMLITE LIGHTING

660 NW Peacock Blvd. Port St. Lucie, FL 34986  
tel: (772) 878-4944 or on the web at [www.tamliteusa.com](http://www.tamliteusa.com)



## SPECIFICATION & FEATURES

### CONSTRUCTION:

The heads, hoods and body of the MS series are constructed of corrosion resistant polycarbonate and pre-wired/pre-assembled for easy field installation.

### ADJUSTABILITY:

Both heads feature "No Tool Adjustments" at the base and knuckle allowing for a simple set up or change of the each head's direction.

### SENSOR:

The MS series features power-on test mode, manual override, sensitivity and time adjustment. Offers tool-less sensor adjustments. Fixture works on the principles of passive infrared sensing ambient temperature will effect performance.

### ELECTRICAL:

2 - 150W PAR38 max. (lamps sold separately) 120VAC - 60Hz

### MOUNTING:

Can be mounted under eaves or wall. Mounting hardware is included.

### LISTING & RATINGS:

UL listed for Wet Location.

### WARRANTY:

Guaranteed for one year against mechanical defects in manufacturing.

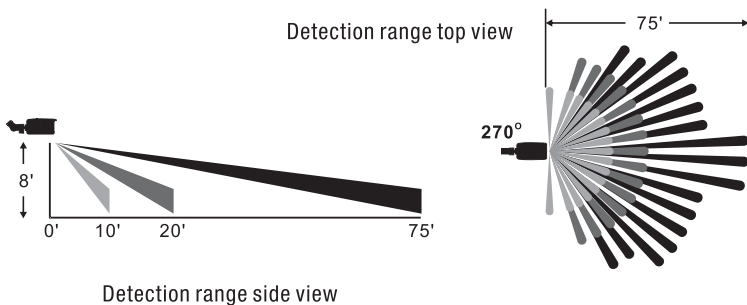
\*\*\* SPECIFICATIONS SUBJECT TO CHANGE WITHOUT NOTICE\*\*\*

Catalog Number
Notes
Job/Title

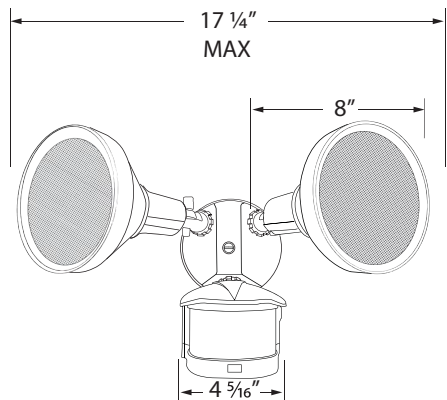
# MS Series HOODED FLOODLIGHT W/270° SENSOR



### SENSOR DETECTION DATA



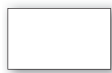
### DIMENSIONS DATA



### ORDERING INFORMATION

## MSP2270H

Sample Part Code: MSP2270HWH



**SERIES**



**HOUSING COLOR**

MSP2270H: MSP2270H Series

WH: White  
BZ: Bronze

### ACCESSORIES/REPLACEMENT ITEMS

PART CODE	DESCRIPTION
MS270BZ	270° MOTION SENSOR ONLY BRONZE
MS270WH	270° MOTION SENSOR ONLY WHITE
MSHBZ	PAR 38 LAMP HOLDER HOOD BRONZE
MSHWH	PAR 38 LAMP HOLDER HOOD WHITE
MSP2BZ	PAR 38 LAMP HOLDER 2 HEAD BRONZE
MSP2WH	PAR 38 LAMP HOLDER 2 HEAD WHITE