



TAMLITE LIGHTING

660 NW Peacock Blvd. Port St. Lucie, FL 34986
tel: (772) 878-4944 or on the web at www.tamliteusa.com

SPECIFICATION & FEATURES

Catalog Number
Notes
Job/Title

MW

Mini Wall Pack

HOUSING:

The Mini Wall Pack Series has a die-cast aluminum housing, with coin plugs with O-rings for 1/2" conduit access on bottom and back, bronze powder coat finish.

REFLECTOR:

Formed aluminum reflector

LENS:

Molded prismatic borosilicate glass lens

SOCKET:

HID: Porcelain 4KV pulse rated medium base socket with nickel-plated screw shell
PL: Plug-in type, 4 pin, GX24Q-4

MOUNTING:

Optional cast aluminum mounting plate mounts directly over a 4" recessed outlet box or use 1/2" surface mount conduit connection.

SOURCE / WATTAGE:

High Pressure Sodium: 35W to 150W
Metal Halide: 50W to 100W
Compact Fluorescent: 26W to 84W (1x26, 1x32, 1x42, 2x26, 2x32, 2x42)
120-277V electronic ballast

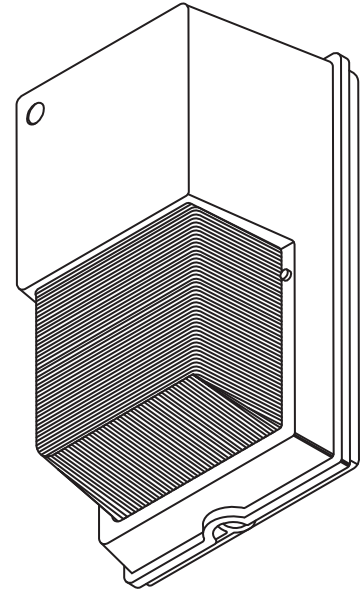
LISTING & RATINGS:

UL or CSA: Listed for wet locations.

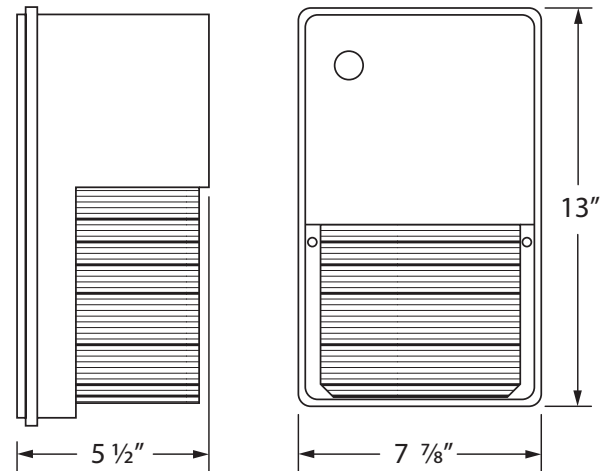
WARRANTY:

Guaranteed for one year against mechanical defects in manufacturing.

*** SPECIFICATIONS SUBJECT TO CHANGE WITHOUT NOTICE***



DIMENSIONS DATA



Max. Weight 10 lbs.

ACCESSORIES

CATALOG#	DESCRIPTION
MW LENS	REPLACEMENT GLASS LENS
MWWG	MW WALL PACK WIRE GUARD KIT



TAMLITE LIGHTING



SPECIFICATION & FEATURES

MW

Mini Wall Pack

ORDERING INFORMATION (HID)

CATALOG#	DESCRIPTION	VOLTAGE	BALLAST
HIGH PRESSURE SODIUM			
MWHPA35L	35 WATT HPS	120	R-NPF
MWHPA50L	50 WATT HPS	120	R-NPF
MWHPA70L	70 WATT HPS	120	R-NPF
MWHPA100L	100 WATT HPS	120	R-NPF
MWHPA150L	150 WATT HPS	120	R-NPF
MWHPQ70L	70 WATT HPS	120/208/240/277	HX-HPF
MWHPQ100L	100 WATT HPS	120/208/240/277	HX-HPF
PULSE START METAL HALIDE			
MWMHQ50L	50 WATT MH	120/208/240/277	HX-HPF
MWMHQ70L	70 WATT MH	120/208/240/277	HX-HPF
MWMHQ100L	100 WATT MH	120/208/240/277	HX-HPF
Lamp(s) included			

NOTES:

CONSULT FACTORY FOR BALLAST INFORMATION

ORDERING INFORMATION (FLUORESCENT)

CATALOG#	DESCRIPTION	VOLTAGE	BALLAST
MW1X26DL ¹	26 WATT PL	120-277	ELECTRONIC
MW1X32DL ¹	32 WATT PL	120-277	ELECTRONIC
MW1X42DL ¹	42 WATT PL	120-277	ELECTRONIC
MW2X26DL ¹	52 WATT PL	120-277	ELECTRONIC
MW2X32DL ¹	64 WATT PL	120-277	ELECTRONIC
MW2X42DL ¹	84 WATT PL	120-277	ELECTRONIC
¹ Battery back-up available by adding "B1" to end of part code for 120V or "B2" for 277V.			
Lamp(s) included			

NOTES:

Electronic fluorescent ballasts are high power factor, Class P insulation, 120-277V, and have a starting temperature of 0° F (-18° C).

Battery backup provides up to 90 minutes of power for two (2) lamps (depending on wattage), and has an operating temperature range of 32° to 122° F (0° to +50° C).

CONSULT FACTORY FOR BALLAST INFORMATION

Application and Performance Specification Information is Subject to Change Without Notification