



FLUORESCENT

TAMLITE LIGHTING

660 NW Peacock Blvd. Port St. Lucie, FL 34986
tel: (772) 878-4944 or on the web at www.tamliteusa.com

SPECIFICATION & FEATURES

Catalog Number
Notes
Job/Title

APPLICATIONS:

The NCF enclosed & gasketed fluorescent series is general illumination for rough service applications. Designed for use in a non hazardous environment where humidity or moisture is present. Fixture is wet-location rated.

CONSTRUCTION:

Injection molded clear polycarbonate lens incorporates optical design that obscures the lamp image and spreads light evenly. The body is injection molded gray polycarbonate with cold-rolled steel gear tray. Push in style lamp holders. Mounting hardware included.

LISTING & RATINGS:

- Wet-location rated.
- Energy Star (4 ft. only)

ELECTRICAL:

CONSULT FACTORY FOR BALLAST INFORMATION

WARRANTY:

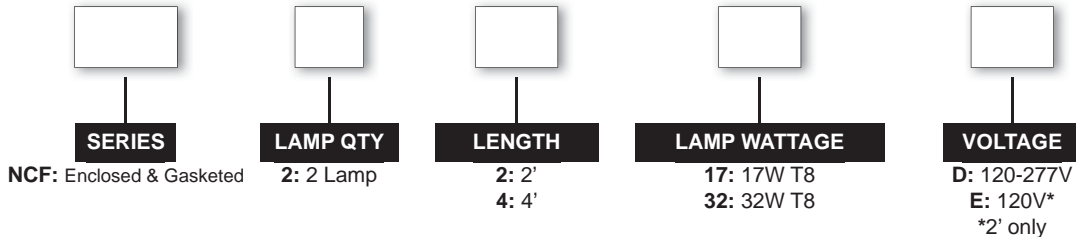
Guaranteed one year from the purchase date of the product, against mechanical defects in manufacturing.

*** SPECIFICATIONS SUBJECT TO CHANGE WITHOUT NOTICE***

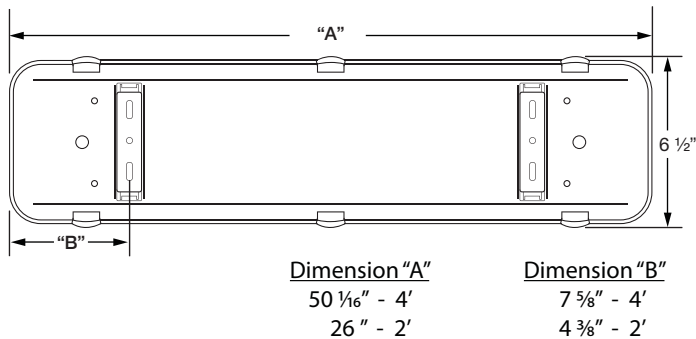
ORDERING INFORMATION

NCF

Sample Part Code: NCF2432D

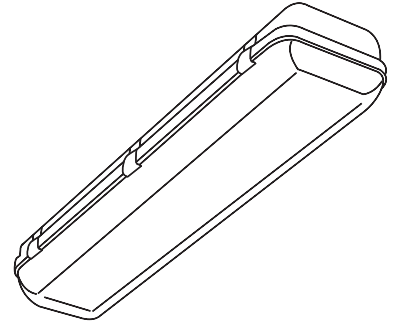


MOUNTING INFORMATION



NCF

Enclosed Gasketed Fluorescent Series



SPECIFICATIONS

	4'	2'
LENGTH:	50 1/16"	26"
WIDTH:	6 1/2"	6 1/2"
DEPTH:	4 3/4"	4 3/4"