



# TAMLITE LIGHTING

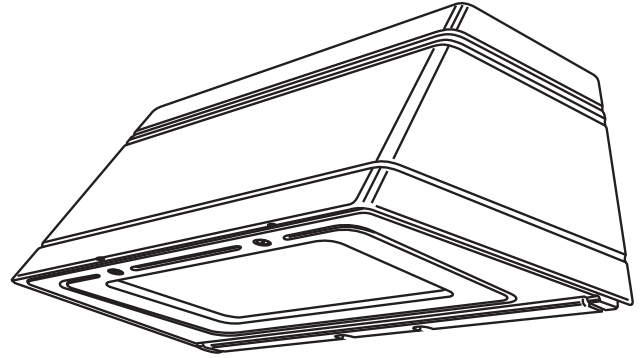
660 NW Peacock Blvd. Port St. Lucie, FL 34986  
tel: (772) 878-4944 or on the web at [www.tamliteusa.com](http://www.tamliteusa.com)

## SPECIFICATION & FEATURES

Catalog Number
Notes
Job/Title

# OSC

## LED Ocelot Dark Sky



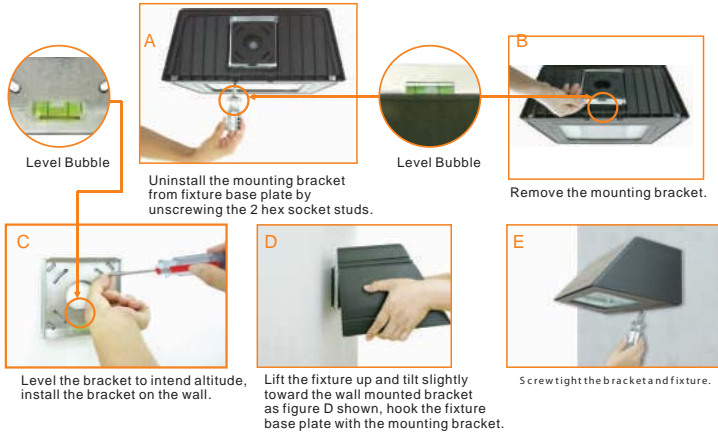
### HOUSING:

The LED Ocelot Dark Sky Series (OSC) has a die-cast aluminum housing, coin plugs with O-rings for 1/2" conduit entry or photocell installation and has an architectural bronze UV resistant powdercoat finish.

### LENS:

Clear flat tempered glass lens.

### MOUNTING:



### ILLUMINATION:

Long life, energy saving CREE LEDs, Color temperature - 5100K, low junction temperature (Tj) for long life, low lumen depreciation, Low starting temp -30°C., Lumens per LED - Approx. 90-95.

### SOURCE / WATTAGE:

LED: 30 Watt & 48 Watt  
IC current controlled LED circuits

\*\*\*LED'S meet LM80 requirements photometres available on request\*\*\*

### LISTING & RATINGS:

UL: Listed for wet locations.

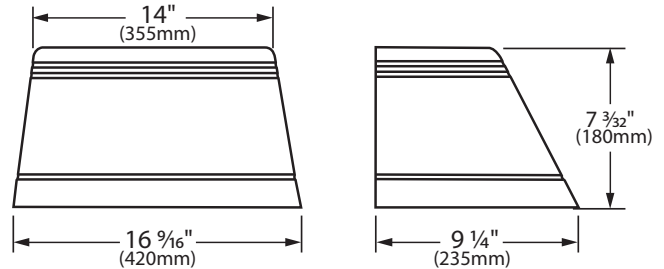
### WARRANTY:

Guaranteed for 3 year against mechanical defects in manufacturing.

\*\*\* SPECIFICATIONS SUBJECT TO CHANGE WITHOUT NOTICE\*\*\*



### DIMENSIONS DATA



### ORDERING INFORMATION

CATALOG#	DESCRIPTION	VOLTAGE	INPUT POWER
OSCLE48W	48 WATT LED	120-277	60 WATTS
OSCLE30W	30 WATT LED	120-277	60 WATTS