



TAMLITE LIGHTING

660 NW Peacock Blvd. Port St. Lucie, FL 34986
 tel: (772) 878-4944 or on the web at www.tamliteusa.com

SPECIFICATION & FEATURES

Catalog Number
Notes
Job/Title

OSC

Ocelot Medium Dark Sky

HOUSING:

The Ocelot Medium Dark Sky (OSC) Series has a die-cast aluminum housing and hinged front frame. Has coin plugs with O-rings for 1/2" conduit and photocell, bronze powder coat finish.

REFLECTOR:

Formed aluminum reflector

LENS:

Flat tempered clear glass lens.

SOCKET:

HID: Porcelain 5KV pulse rated mogul base socket with nickel-plated screw shell.

SOURCE / WATTAGE:

High Pressure Sodium: 250W

Metal Halide: 250W

Induction: 40W and 80W

MOUNTING:

Cast-in template for mounting directly over a 4" recessed outlet box, or use 1/2" surface conduit.

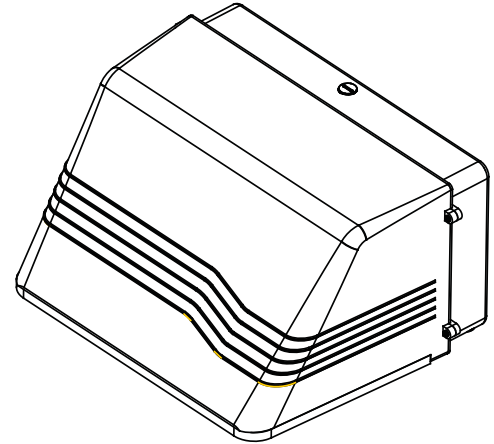
LISTING & RATINGS:

UL or CSA: Listed for wet locations. Meets Dark Sky requirements.

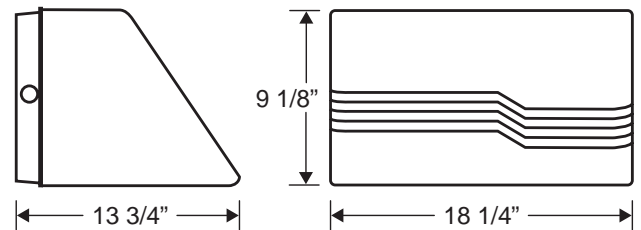
WARRANTY:

Guaranteed for one year against mechanical defects in manufacturing.

*** SPECIFICATIONS SUBJECT TO CHANGE WITHOUT NOTICE***



DIMENSIONS DATA



Max. Weight 26 lbs.

SEE PAGE 2 FOR ORDERING INFORMATION



SPECIFICATION & FEATURES

OSC

Ocelot Medium Dark Sky

ORDERING INFORMATION (HID)

CATALOG#	DESCRIPTION	VOLTAGE	BALLAST
HIGH PRESSURE SODIUM			
OSCHPQ250L	250 WATT HPS	120/208/240/277	CWA
OSCHPE250L	250 WATT HPS	480	CWA
PULSE START METAL HALIDE			
OSCPQ250L	250 WATT PSMH	120/208/240/277	CWA
OSCPPE250L	250 WATT PSMH	480	CWA
Lamp(s) included			

NOTES:

CONSULT FACTORY FOR BALLAST INFORMATION

ORDERING INFORMATION / SPECIFICATIONS (INDUCTION)

CATALOG#	VOLTAGE (60Hz)	WORKING FREQUENCY	CURRENT	POWER FACTOR	AMBIENT TEMP. RANGE
OSCI40120L	120 (90-150)	210 kHz	.38 A	.98	-30° C / +50° C
OSCI40277L	277 (250-305)	210 kHz	.16 A	.90	-30° C / +50° C
OSCI80120L	120 (90-150)	210 kHz	.74 A	.98	-30° C / +50° C
OSCI80277L	277 (250-305)	210 kHz	.32 A	.90	-30° C / +50° C
Lamp included					

NOTES:

CONSULT FACTORY FOR DRIVER INFORMATION

LAMP SPECIFICATIONS (INDUCTION)

WATTAGE	CRI	INITIAL LUMENS @ 120V or 277V	LAMP LIFE
40	80	2600	100,000 hrs.
80	80	6400	100,000 hrs.

Application and Performance Specification Information is Subject to Change Without Notification