



TAMLITE LIGHTING

660 NW Peacock Blvd. Port St. Lucie, FL 34986
tel: (772) 878-4944 or on the web at www.tamliteusa.com

SPECIFICATION & FEATURES

HOUSING:

The Ocelot Small Dark Sky (OSC) Series has a die-cast aluminum housing and hinged front frame. Has coin plugs with O-rings for ½" conduit and photocell, bronze powdercoat finish.

REFLECTOR:

Formed aluminum reflector

LENS:

Flat tempered clear glass lens.

SOCKET:

HID: Porcelain 4KV pulse rated medium base socket with nickel-plated screw shell.

PL: Plug-in type, 4 Pin, GX24Q-4

SOURCE / WATTAGE:

High Pressure Sodium: 35W to 150W

Metal Halide: 50W to 150W

Compact Fluorescent: 26W to 84W (1x26, 1x32, 1x42, 2x26, 2x32, 2x42)

MOUNTING:

Cast-in template for mounting directly over a 4" recessed outlet box, or use ½" surface conduit.

LISTING & RATINGS:

UL or CSA: Listed for wet locations. Meets Dark Sky requirements.

WARRANTY:

Guaranteed for one year against mechanical defects in manufacturing.

*** SPECIFICATIONS SUBJECT TO CHANGE WITHOUT NOTICE***

ORDERING INFORMATION (HID)

CATALOG#	DESCRIPTION	VOLTAGE	BALLAST
HIGH PRESSURE SODIUM			
OSCHPA35L	35 WATT HPS	120	R-NPF
OSCHPA50L	50 WATT HPS	120	R-NPF
OSCHPA70L	70 WATT HPS	120	R-NPF
OSCHPA100L	100 WATT HPS	120	R-NPF
OSCHPA150L	150 WATT HPS	120	R-NPF
OSCHPQ70L	70 WATT HPS	120/208/240/277	HX-HPF
OSCHPQ100L	100 WATT HPS	120/208/240/277	HX-HPF
OSCHPQ150L	150 WATT HPS	120/208/240/277	HX-HPF
PULSE START METAL HALIDE			
OSCMHQ50L	50 WATT MH	120/208/240/277	HX-HPF
OSCMHQ70L	70 WATT MH	120/208/240/277	HX-HPF
OSCMHQ100L	100 WATT MH	120/208/240/277	HX-HPF
OSCMHQ150L	150 WATT MH	120/208/240/277	HX-HPF
Lamp Included			

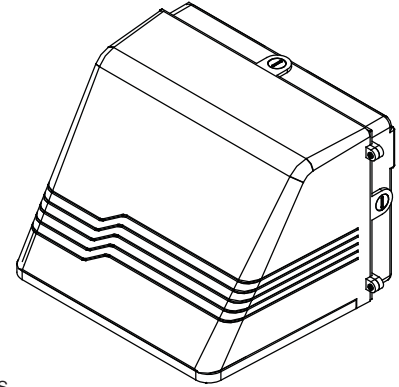
ORDERING INFORMATION (FLUORESCENT)

CATALOG#	DESCRIPTION	VOLTAGE	BALLAST
OSC1X26DL ¹	26 WATT PL	120-277	ELECTRONIC
OSC1X32DL ¹	32 WATT PL	120-277	ELECTRONIC
OSC1X42DL ¹	42 WATT PL	120-277	ELECTRONIC
OSC2X26DL ¹	52 WATT PL	120-277	ELECTRONIC
OSC2X32DL ¹	64 WATT PL	120-277	ELECTRONIC
OSC2X42DL ¹	84 WATT PL	120-277	ELECTRONIC
¹ Battery back-up available by adding "B1" to end of part code for 120V or "B2" for 277V.			
Lamp(S) Included			

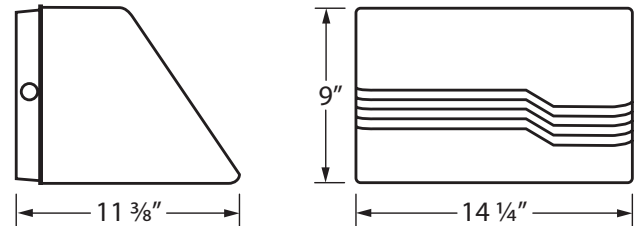
Catalog Number
Notes
Job/Title

OSC

Ocelot Small Dark Sky



DIMENSIONS DATA



Max. Weight 20 lbs.

NOTES:

CONSULT FACTORY FOR BALLAST INFORMATION

NOTES:

Electronic fluorescent ballasts are high power factor, Class P insulation, 120-277V, and have a starting temperature of 0° F (-18° C).

Battery backup provides up to 90 minutes of power for two (2) lamps (depending on wattage), and has an operating temperature range of 32° to 122° F (0° to +50° C).

CONSULT FACTORY FOR BALLAST INFORMATION