



TAMLITE LIGHTING

660 NW Peacock Blvd. Port St. Lucie, FL 34986
tel: (772) 878-4944 or on the web at www.tamliteusa.com



SPECIFICATION & FEATURES

Catalog Number
Notes
Job/Title

DESCRIPTION:

The PS series of specification grade, high performance luminaires are designed for general illumination in commercial, institutional, and retail lighting applications. The painted after fabrication (PAF), housing offers superior light performance, while the precisely formed parabolic blades direct the light to the zones where it is most needed while reducing glare.

CONSTRUCTION:

Hot dipped galvanized uni-body construction with built-in tabs for structural integrity. Specific body design for each lamp configuration limiting holes for a streamlined design. Oversized access plate for ease of installation. PAF for consistent finish, safe handling, and corrosion resistance. Baked white enamel provides a high reflectance factor. NEMA type G (Grid) standard. NEMA type F (Flange) available for field installation. All lamps may be installed or removed in any order. All fixtures are 100% tested at the factory.

ELECTRICAL SYSTEM:

T8 Ballast Information:

Standard ballast is electronic instant start, thermally protected, resetting, Class P, non-PCB, UL listed, and sound rated A.

T5 Ballast Information:

Standard ballast is electronic program start, thermally protected, resetting, Class P, non-PCB, UL listed, and sound rated A

LISTING:

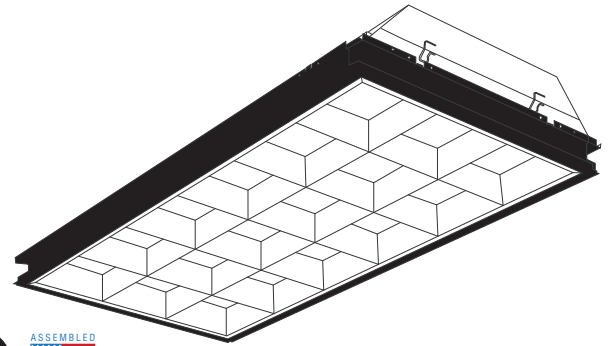
Fixtures are UL Listed and suitable for damp locations.

WARRANTY:

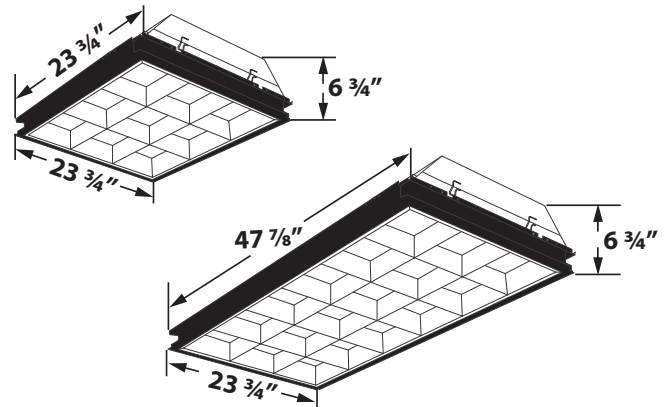
Guaranteed one year from the purchase date of the product, against mechanical defects in manufacturing.

*** SPECIFICATIONS SUBJECT TO CHANGE WITHOUT NOTICE***

PS Series Specification Parabolic Troffer



DIMENSIONS DATA



ORDERING INFORMATION

PS Series: Specification Parabolic Troffer

Sample Part Code: PS24-332D1C18L741W1

SERIES PS	DIMENSIONS 22: 2' X 2' 24: 2' X 4'	LAMP QTY 2: 2 Lamp 3: 3 Lamp 4: 4 Lamp	LAMP WATTAGE 2 x 2 Lamping 14: 14W T5 17: 17W T8 24: 24W T5HO 32: 32W U-T8 2 x 4 Lamping 28: 28W T5 32: 32W T8 54: 54W T5HO	VOLTAGE A1: 120V One Ballast D1: 120-277V One Ballast A2: 120V Two Ballast D2: 120-277V Two Ballast	CELL CONFIG 2' x 2' Cell Configuration C09: 9 Cell Parabolic C16: 16 Cell Parabolic 2' x 4' Cell Configuration C12: 12 Cell Parabolic C18: 18 Cell Parabolic C24: 24 Cell Parabolic C32: 32 Cell Parabolic	LAMPS INSTALLED Blank: No Lamps L735: CRI±70 3500K L741: CRI±70 4100K L750: CRI±70 5000K L835: CRI±80 3500K L841: CRI±80 4100K L850: CRI±80 5000K	OPTIONS Blank: No Options W1: 6' Flex (one circuit) W2: 6' Flex (two circuit) B1: Emerg. 500 lumens 1 lamp B2: Emerg. 1400 lumens 1 lamp B3: Emerg. 1400 lumens 2 lamp F: Fused