



TAMLITE LIGHTING

660 NW Peacock Blvd. Port St. Lucie, FL 34986
 tel: (772) 878-4944 or on the web at www.tamliteusa.com

SPECIFICATION & FEATURES

Catalog Number
Notes
Job/Title

HOUSING:

Die-cast aluminum body with smooth bronze or white finish

REFLECTOR:

Aluminum reflector

LENS:

Tempered flat glass lens

MOUNTING:

1/2" threaded adjustable knuckle with die-cast round box plate included

ELECTRICAL:

150W maximum
 150W quartz halogen double ended lamp included

LISTING & RATINGS:

CSA: Listed for wet locations

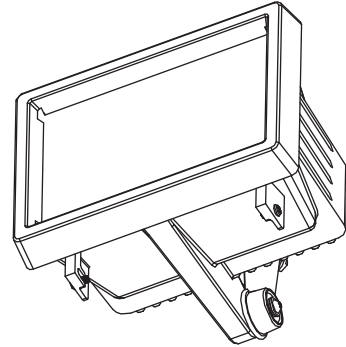
WARRANTY:

Guaranteed for one year against mechanical defects in manufacture

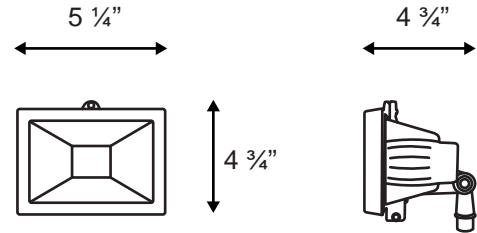
*** SPECIFICATIONS SUBJECT TO CHANGE WITHOUT NOTICE***

QT

150W Quartz Flood



DIMENSIONS/MOUNTING DATA



ORDERING INFORMATION

CATALOG#	DESCRIPTION	VOLTAGE	COLOR
QT150LDW	150W MAXIMUM	120	WHITE
QT150LD	150W MAXIMUM	120	BRONZE
Lamp included			