



TAMLITE LIGHTING

660 NW Peacock Blvd. Port St. Lucie, FL 34986
 tel: (772) 878-4944 or on the web at www.tamliteusa.com

SPECIFICATION & FEATURES

HOUSING:

Die-cast aluminum housing and hinged top frame, architectural bronze powdercoat finish.

REFLECTOR:

Formed aluminum reflector

LENS:

Tempered flat clear glass lens

SOCKET:

HID: Porcelain 4KV pulse rated medium base socket with nickel-plated screw shell.
 PL: Plug-in type, 4 Pin, GX24Q-4

MOUNTING:

Adjustable knuckle with angle indicators and 1/2" NPT threads.

ELECTRICAL:

High Pressure Sodium: 35W to 100W and 150W 120V only
 Metal Halide: 50W to 100W
 Compact Fluorescent: 26W to 42W (1x26, 1x32, 1x42,) 120-277V electronic ballast

LISTING & RATINGS:

CSA or UL: Listed for wet locations.

WARRANTY:

Guaranteed for one year against mechanical defects in manufacturing

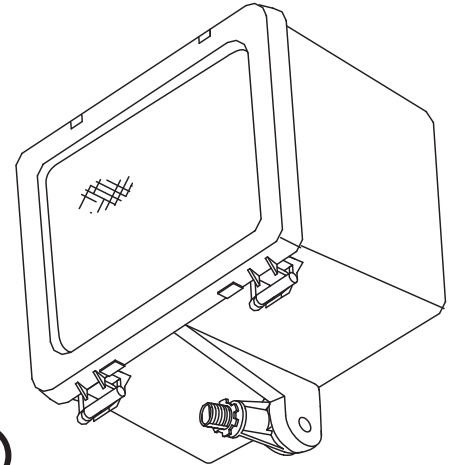
*** SPECIFICATIONS SUBJECT TO CHANGE WITHOUT NOTICE***

ACCESSORIES

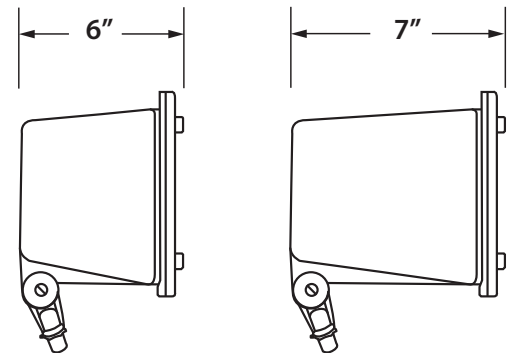
CATALOG#	DESCRIPTION
SFLEX KIT	POLYCARBONATE GUARD KIT
GRSTK	GROUND STAKE
SF DOOR	REPLACEMENT FRAME & GLASS

Catalog Number
Notes
Job/Title

SF
Small Flood

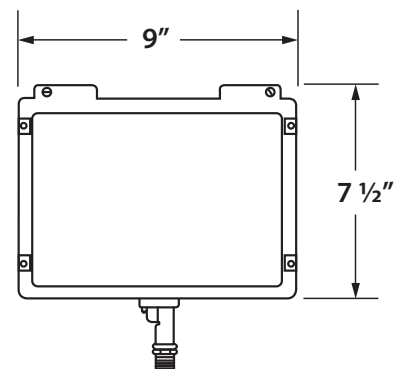


DIMENSIONS DATA



SHALLOW

DEEP



Max. Weight 10 lbs.



TAMLITE LIGHTING



SPECIFICATION & FEATURES

SF

Small Flood

ORDERING INFORMATION (HID)

CATALOG#	DESCRIPTION	VOLTAGE	BALLAST
HIGH PRESSURE SODIUM			
SFHPA35L	35 WATT HPS	120	R-NPF
SFHPA50L	50 WATT HPS	120	R-NPF
SFHPA70L	70 WATT HPS	120	R-NPF
SFHPA100L	100 WATT HPS	120	R-NPF
SFHPA150L	150 WATT HPS	120	R-NPF
SFHPQ70L	70 WATT HPS	120/208/240/277	HX-HPF
SFHPQ100L	100 WATT HPS	120/208/240/277	HX-HPF
PULSE START METAL HALIDE			
SFMHQ50L	50 WATT MH	120/208/240/277	HX-HPF
SFMHQ70L	70 WATT MH	120/208/240/277	HX-HPF
SFMHQ100L	100 WATT MH	120/208/240/277	HX-HPF
Lamp Included			

ORDERING INFORMATION (FLUORESCENT)

CATALOG#	DESCRIPTION	VOLTAGE	BALLAST
SF1X26DL ¹	26 WATT PL	120-277	ELECTRONIC
SF1X32DL ¹	32 WATT PL	120-277	ELECTRONIC
SF1X42DL ¹	42 WATT PL	120-277	ELECTRONIC
¹ Battery back-up available by adding "B1" to end of part code for 120V or "B2" for 277V.			
Lamp(S) Included			

NOTES:

Electronic fluorescent ballasts are high power factor, Class P insulation, 120-277V, and have a starting temperature of 0° F (-18° C).

Battery backup provides up to 90 minutes of power for two (2) lamps (depending on wattage), and has an operating temperature range of 32° to 122° F (0° to +50° C).

CONSULT FACTORY FOR BALLAST INFORMATION

Application and Performance Specification Information is Subject to Change Without Notification