



# TAMLITE LIGHTING

660 NW Peacock Blvd. Port St. Lucie, FL 34986  
tel: (772) 878-4944 or on the web at [www.tamliteusa.com](http://www.tamliteusa.com)



## SPECIFICATION & FEATURES

Catalog Number
Notes
Job/Title

# SLN Series

### APPLICATIONS:

The Standard Narrow Strip (SLN) Series is ideal for residential, industrial, commercial and retail applications. This fixture is also an excellent source of lighting for size restrictive areas.

### CONSTRUCTION:

Formed from 23 gauge steel, allowing for exceptional strength and durability. The body is constructed with numerous KOs for ease of installation. End plate quickly snaps into channels and can also be used for continuous row mounting. Push in style lamp holders included.

### FINISH:

White powder coat paint after fabrication. Three-stage iron phosphate pretreatment allows maximum paint adhesion and rust inhibitors provide corrosion protection. Parts are finished in a white high reflectance lighting grade baked enamel.

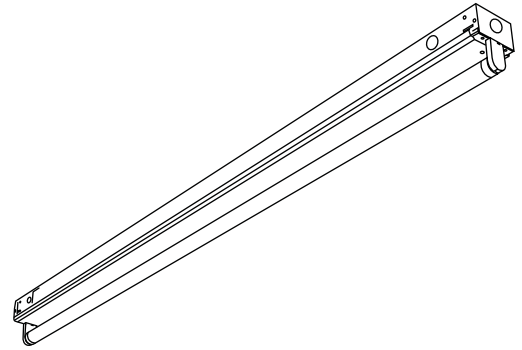
### ELECTRICAL:

\*\*\*CONSULT FACTORY FOR BALLAST INFORMATION\*\*\*

### WARRANTY:

Guaranteed one year from the purchase date of the product, against mechanical defects in manufacturing.

\*\*\* SPECIFICATIONS SUBJECT TO CHANGE WITHOUT NOTICE\*\*\*



### SPECIFICATIONS

	2'	3'	4'
<b>LENGTH:</b>	24"	36"	48"
<b>WIDTH:</b>	3 1/8"	3 1/8"	3 1/8"
<b>DEPTH:</b>	3 1/2"	3 1/2"	3 1/2"

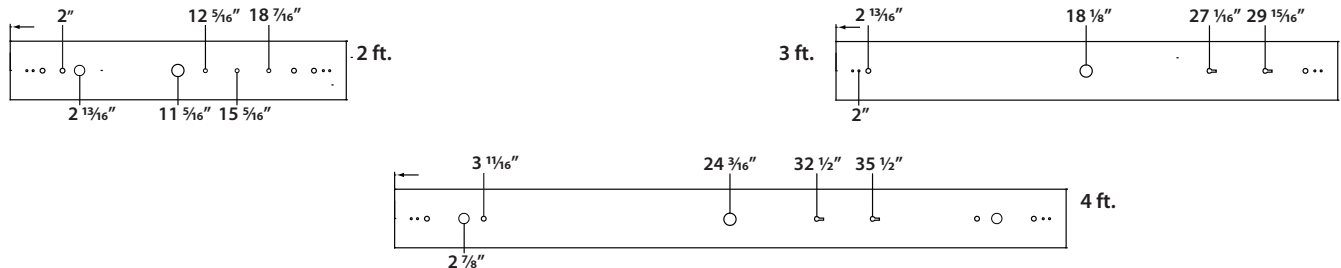
### ORDERING INFORMATION

## SLN

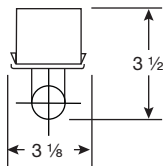
Sample Part Code: SLN1432A

<b>SERIES</b>	<b>LAMP QTY</b>	<b>LENGTH</b>	<b>LAMP WATTAGE</b>	<b>VOLTAGE</b>	<b>EMERGENCY BALLAST</b>
SLN: SLN Series	1: 1 Lamp	2: 2' 3: 3' 4: 4'	17: 17W T8 25: 25W T8 32: 32W T8	A: 120 B: 277V D: 120-277	<b>BLANK:</b> No options B1: 500 lumens 1 lamp B2: 1400 lumens 1 lamp Factory Installed

### MOUNTING INFORMATION



### LAMP CONFIGURATION



### ACCESSORIES

	2'	3'	4'
Symmetric Reflector	ACSLNX2	ACSLNX3	ACSLNX4
Asymmetric Reflector	ACSLNZ2	ACSLNZ3	ACSLNZ4
Wireguard			ACSLN4WG