



TAMLITE LIGHTING

660 NW Peacock Blvd. Port St. Lucie, FL 34986
tel: (772) 878-4944 or on the web at www.tamliteusa.com

SPECIFICATION & FEATURES

Catalog Number
Notes
Job/Title

HOUSING:

Die-cast aluminum housing, 1/2" coin plugs with O-rings for conduit and photocell on two sides and back, textured architectural bronze powdercoat finish over a chromate conversion coating

REFLECTOR:

White powdercoat steel reflector

LENS:

Vandal resistant prismatic polycarbonate lens

SOCKET:

HID: Porcelain 4KV pulse rated medium base socket with nickel-plated screw shell
PL: Plug-in type, GX24Q-4

MOUNTING:

Mount directly over a 4" recessed outlet box, or use 1/2" surface conduit

ELECTRICAL:

High Pressure Sodium: 35W to 70W
Metal Halide: 50W to 70W
Compact Fluorescent¹: 26W to 42W (1x26, 1x32, 1x42)
120-277V electronic ballast

LISTING & RATINGS:

CSA: Listed for wet locations

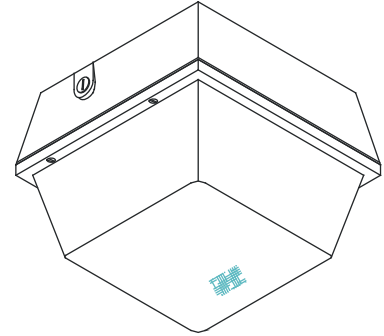
WARRANTY:

Guaranteed for one year against mechanical defects in manufacture

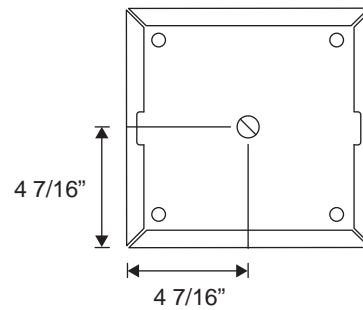
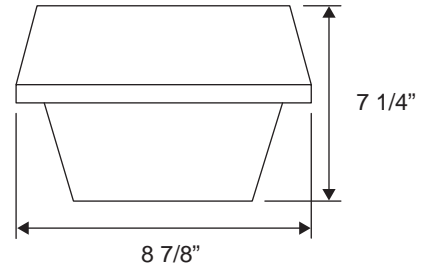
*** SPECIFICATIONS SUBJECT TO CHANGE WITHOUT NOTICE***

SC

8" Small Canopy



DIMENSIONS/MOUNTING DATA



Max. Weight: 9 LBS.

ORDERING INFORMATION

CATALOG#	DESCRIPTION	VOLTAGE	BALLAST
Fluorescent¹			
SC1X26DL ¹	26 WATT PL	120-277	ELECTRONIC
SC1X32DL ¹	32 WATT PL	120-277	ELECTRONIC
SC1X42DL ¹	42 WATT PL	120-277	ELECTRONIC
¹ Battery back-up available by adding "B1" to end of part code for 120V or "B2" for 277V.			
High Pressure Sodium			
SCHPA35L	35 WATT HPS	120	R-NPF
SCHPA50L	50 WATT HPS	120	R-NPF
SCHPA70L	70 WATT HPS	120	R-NPF
SCHPQ70L	70 WATT HPS	QUAD TAP	HX-HPF
Metal Halide			
SCMHQ50L	50 WATT MH	QUAD TAP	HX-HPF
SCMHQ70L	70 WATT MH	QUAD TAP	HX-HPF
Lamp included			