



# TAMLITE LIGHTING

660 NW Peacock Blvd. Port St. Lucie, FL 34986  
tel: (772) 878-4944 or on the web at [www.tamliteusa.com](http://www.tamliteusa.com)



## SPECIFICATION & FEATURES

Catalog Number
Notes
Job/Title

# TC Series

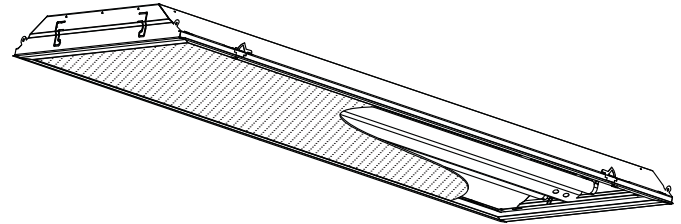
## Commercial Troffer

### DESCRIPTION:

The TC series is a low-profile commercial grade, all purpose luminaires are designed for general illumination in commercial, industrial and retail lighting application. The 3" deep, painted after fabrication (PAF), housing makes the TC series ideal for use in restricted plenum applications.

### CONSTRUCTION:

Hot dipped galvanized uni-body construction with built-in tabs for structural integrity. Specific body design for each lamp configuration limiting holes for a streamlined design. Oversized access plate for ease of installation. PAF for consistent finish, safe handling, and corrosion resistance. Baked white enamel provides a high reflectance factor. NEMA type G (Grid) standard. NEMA type F (Flange) available for field installation. All lamps may be installed or removed in any order. All fixtures are 100% tested at the factory.



### ELECTRICAL SYSTEM:

Standard ballast is electronic instant start, thermally protected, resetting, Class P, non-PCB, UL listed, and sound rated A.

### LISTING:

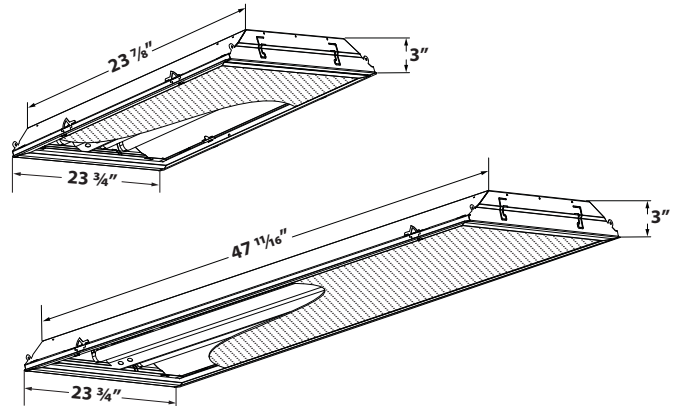
Fixtures are UL Listed and suitable for damp locations.

### WARRANTY:

Guaranteed one year from the purchase date of the product, against mechanical defects in manufacturing.

\*\*\* SPECIFICATIONS SUBJECT TO CHANGE WITHOUT NOTICE\*\*\*

### DIMENSIONS DATA



### ORDERING INFORMATION

## TC Series: Commercial Troffer

Sample Part Code: TC24-432D1P1L741



**SERIES**  
TC



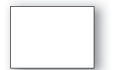
**DIMENSIONS**  
22: 2' X 2'  
24: 2' X 4'



**LAMP WATTAGE**  
**2 x 2 Lamping**  
14: 14W T5  
17: 17W T8  
24: 24W T5HO  
32: 32W U-T8  
**2 x 4 Lamping**  
28: 28W T5  
32: 32W T8  
54: 54W T5HO



**LAMP QTY**  
2: 2 Lamp  
3: 3 Lamp  
4: 4 Lamp



**LENS**  
P1: Pattern 12 .095  
P2: Pattern 12 .125\*  
P3: Pattern 12 .156\*  
P4: Drop dish 1-1/2"\*  
E1: 1/2" x 1/2" Specular\*  
E2: 1-1/4" x 1-1/4" Specular\*  
\* May effect lamp performance

**VOLTAGE**  
A1: 120V One Ballast  
D1: 120-277V One Ballast  
A2: 120V Two Ballast  
D2: 120-277V Two Ballast



**LAMPS INSTALLED**  
Blank: No Lamps  
L735: CRI±70 3500K  
L741: CRI±70 4100K  
L750: CRI±70 5000K  
L835: CRI±80 3500K  
L841: CRI±80 4100K  
L850: CRI±80 5000K



**OPTIONS**  
Blank: No Options  
W1: 6' Flex (one circuit)  
W2: 6' Flex (two circuit)  
B1: Emerg. 500 lumens 1 lamp  
B2: Emerg. 1400 lumens 1 lamp  
B3: Emerg. 1400 lumens 2 lamp  
R: Specular aluminum back reflector  
F: Fused