



TAMLITE LIGHTING

660 NW Peacock Blvd. Port St. Lucie, FL 34986
tel: (772) 878-4944 or on the web at www.tamliteusa.com



SPECIFICATION & FEATURES

Catalog Number
Notes
Job/Title

TS Series

Specification Troffer

DESCRIPTION:

The Lay-Ins TS Series Specification Troffer is a high performance luminaire are designed for general illumination in commercial, industrial and retail lighting application. The 4 1/2" deep, painted after fabrication (PAF), housing offers superior light performance and diffusion.

CONSTRUCTION:

Hot dipped galvanized uni-body construction with built-in tabs for structural integrity. Specific body design for each lamp configuration limiting holes for a streamlined design. Oversized access plate for ease of installation. PAF for consistent finish, safe handling, and corrosion resistance. Baked white enamel provides a high reflectance factor. NEMA type G (Grid) standard. NEMA type F (Flange) available for field installation. All lamps may be installed or removed in any order, a 3 3/16" lamp to lens depth for better light dispersion. All fixtures are 100% tested at the factory.

ELECTRICAL SYSTEM:

Standard ballast is electronic instant start, thermally protected, resetting, Class P, HPF, non-PCB, UL listed, CSA certified ballast and sound rated A.

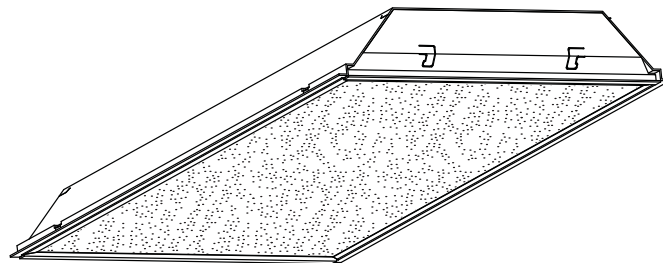
LISTING:

Fixtures are UL Listed and suitable for damp locations.

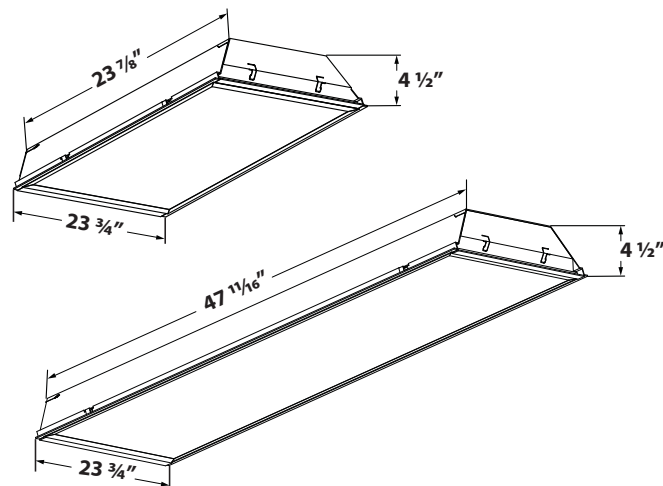
WARRANTY:

Guaranteed one year from the purchase date of the product, against mechanical defects in manufacturing.

*** SPECIFICATIONS SUBJECT TO CHANGE WITHOUT NOTICE***



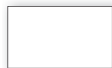
DIMENSIONS DATA



ORDERING INFORMATION

TS Series: Specification Troffer

Sample Part Code: TS24-432D1P1L741



SERIES
TS



DIMENSIONS
22: 2' X 2'
24: 2' X 4'



LAMP WATTAGE
2 x 2 Lamping
14: 14W T5
17: 17W T8
24: 24W T5HO*
32: 32W U-T8
2 x 4 Lamping
28: 28W T5
32: 32W T8
54: 54W T5HO*
* Not available in 6 lamps



LAMP QTY
2: 2 Lamp
3: 3 Lamp
4: 4 Lamp
6: 6 Lamp

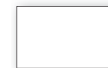


VOLTAGE
A1: 120V One Ballast
D1: 120-277V One Ballast
A2: 120V Two Ballast
D2: 120-277V Two Ballast



LENS
P1: Pattern 12 .095
P2: Pattern 12 .125*
P3: Pattern 12 .156*
P4: Drop dish 1-1/2**
E1: 1/2" x 1/2" Specular*
E2: 1-1/4" x 1-1/4" Specular*
* May effect lamp performance

LAMPS INSTALLED
Blank: No Lamps
L735: CRI±70 3500K
L741: CRI±70 4100K
L750: CRI±70 5000K
L835: CRI±80 3500K
L841: CRI±80 4100K
L850: CRI±80 5000K



OPTIONS
Blank: No Options
W1: 6' Flex (one circuit)
W2: 6' Flex (two circuit)
B1: Emerg. 500 lumens 1 lamp
B2: Emerg. 1400 lumens 1 lamp
B3: Emerg. 1400 lumens 2 lamp
R: Specular aluminum back reflector
F: Fused