

Project: \_\_\_\_\_

Fixture Type: \_\_\_\_\_

Location: \_\_\_\_\_

Contact / Phone: \_\_\_\_\_

The TERBFV Series comes in two sizes; 50 cfm and 70 cfm. The 50 cfm model comes with a molded 3" duct adapter, where as the 70 cfm comes with a 4" duct adapter. Both are CSA listed for damp location. They have built in galvanized steel mounting brackets for an extra secure fit.

**features:**

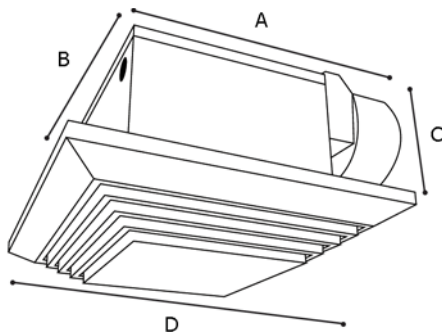
- 50 cfm / 3.5 sones or 70 cfm / 3.5 sones
- Galvanized steel housing
- Built-in mounting tabs and junction box
- Molded 3" duct adapter for 50 cfm and 4" duct adapter for 70 cfm
- Attractive molded off-white grille
- Independently tested for CFM and SONE rating
- CSA listed for damp location
- Operating Voltage 120V

**ordering information:**

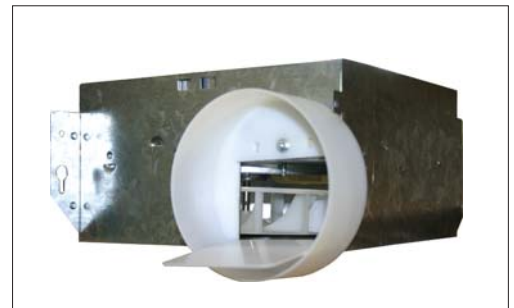
model	sones rating	cfm	amps	volts
TERBFV50	3.5	50	.4A	120
TERBFV70	3.5	70	.7A	120

**dimensions:**

model	A	B	C	D
TERBFV50	7 3/4"	6 3/4"	3 1/8"	8 1/2"
TERBFV70	7 3/4"	6 3/4"	4 1/8"	8 1/2"



**TERBFV50**  
**TERBFV70**  
Contractor Series Bathfans



**other available faceplates:**

TERFP57BZ



Bronze Finish

TERFP57TG



Tuscan Gold Finish

TERFP57RG



Renaissance Gold Finish